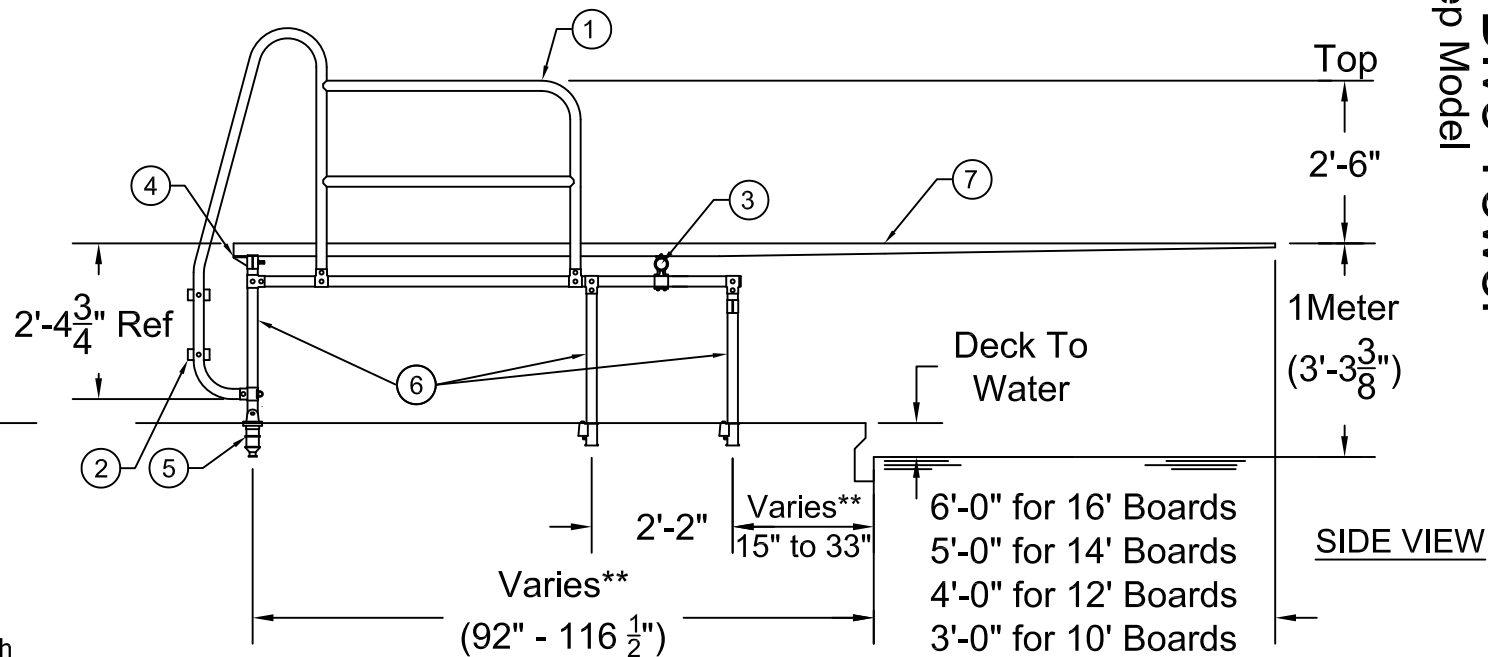
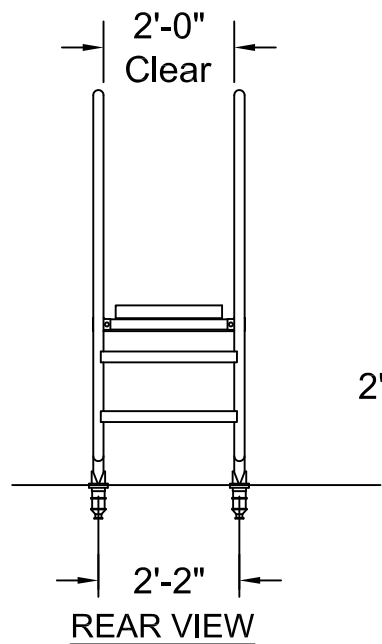
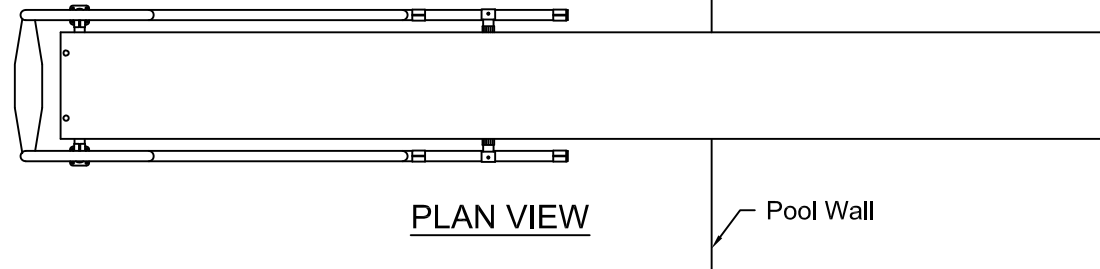
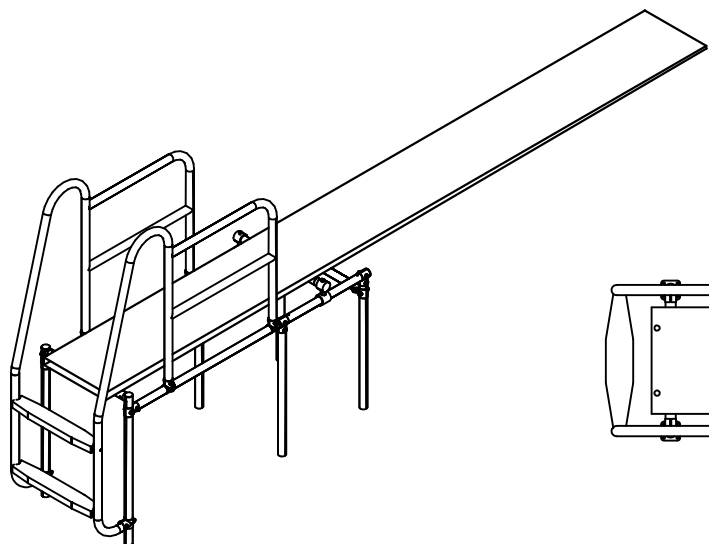


1M Sturdee Dive Tower, Two-Step Model

1M Sturdee Dive Tower Two-Step Model



Dimension varies based upon length and model of diving board selected

The data represents the latest knowledge available to us at time of presentation. However, Paragon Aquatics and others involved in gathering and presenting this drawing assume no liability for its use.

PARAGON AQUATICS
Pental Water
Commercial Pool & Aquatics

1351 Route 55
LaGrangeville, New York
12540
Phone: 845-463-7200
Fax: 845-463-7291
www.paragonaquatics.com

| | | | |
|----------------------------------------------------|--------------------|------------------|---------------|
| Drawn by: SF | Date: 6/27/08 | Approved by: JMM | Date: 6/27/08 |
| Sheet Title: 1M Sturdee Dive Tower, Two-Step Model | | | |
| Drawing Number: SS-DT20.50.2 | Revision Letter: C | Sheet: 1 of 2 | |

1M Sturdee Dive Tower

Two-Step Model

Part Numbers

| Diving Board Type | Heavy Duty (2 Step) | Deluxe (2 Step) |
|-------------------|---------------------|-----------------|
| 16' Duraflex | 14108 | 14122 |
| 14' Duraflex | 14109 | 14123 |
| 16' Maxiflex | 14110 | 14124 |
| 16' Paraflex | 14111 | 14125 |
| 14' Paraflex | 14112 | 14126 |
| 16' Century | 14113 | 14127 |
| 14' Century | 14114 | 14128 |
| 12' Deluxe | --- | --- |
| 10' Deluxe | --- | --- |

Specifications

- ① The superstructure of the diving tower shall be fabricated of ASTM A-554 certified, 1.90" OD, Type 304 stainless steel polished to a 320 grit. For the Heavy Duty models, all members shall be made of 1.90" OD x .145" material, except for the intermediate guard rails which shall be made of 1.90" OD x .065" material. For the Deluxe models, the Fulcrum Support Bars and Base Bar shall be made of 1.90" OD x .145" material, the Front and Rear Legs made of 1.90" OD x .109" material, with all other members being made of 1.90" OD x .065" material. Optional Extended Guard Rails to pool wall are available for both the Heavy Duty and Deluxe models.
- ② Mounting steps shall be made of white, UV stabilized, ABS plastic with an integral, non-skid surface. The steps shall fit a 26" post spacing (center to center) and have a 5" tread depth.
- ③ The Hand Adjustable Fulcrum (tools required) shall consist of a fulcrum bar made of 1.90" OD x .145" T304 S/S encased within a rubber sleeve. A Geared Adjustable Fulcrum is available as an upgrade for both the Heavy Duty and Deluxe models, and should be specified at the time of order.
- ④ Duraflex and Maxiflex diving boards shall attach at the rear using swivel mounts, which serve to relieve stresses when diving board is in use. All other diving boards shall attach, less swivels, directly to the base bar.
- ⑤ Rear Anchor Deluxe shall be two piece construction comprised of a cast bronze body with a chrome plated cast bronze flange cap.
- ⑥ Front and rear legs shall be trimmed in field (by others) to achieve the desired diving board height above water dimension (i.e. 1M, 3/4M, 2/3M).
- ⑦ Diving board is not included, to be purchased separately. Diving board length and make shall be specified at the time of order. Please consult both national and local codes before selecting a board.

General

The stainless steel frame shall be electro-chemically passivated on all worked areas for maximum corrosion resistance. All hardware shall be 18-8 stainless steel. Custom designs and modifications are available upon request.

Accessories

| Part # | Description |
|--------|------------------------------------------------------|
| 14507 | Extended Guard Rails to Pool Wall, Heavy Duty (pair) |
| 14508 | Extended Guard Rails to Pool Wall, Deluxe (pair) |
| 24101 | 26" Deluxe Geared Adjustable Fulcrum |
| 24106 | 26" Economy Geared Adjustable Fulcrum |

The data represents the latest knowledge available to us at time of presentation. However, Paragon Aquatics and others involved in gathering and presenting this drawing assume no liability for its use.

© 2008 Paragon Aquatics



PARAGON AQUATICS

Pentair Water
Commercial Pool & Aquatics

1351 Route 55
LaGrangeville, New York
12540
Phone: 845-463-7200
Fax: 845-463-7291
www.paragonaquatics.com

| | | | |
|------------------------------------------------------|--------------------|------------------|---------------|
| Drawn by: SF | Date: 6/27/08 | Approved by: JMM | Date: 6/27/08 |
| Sheet Title: 1M Sturdee Diving Tower, Two-Step Model | | | |
| Drawing Number: SS-DT20.50.2 | Revision Letter: C | Sheet: 2 of 2 | |