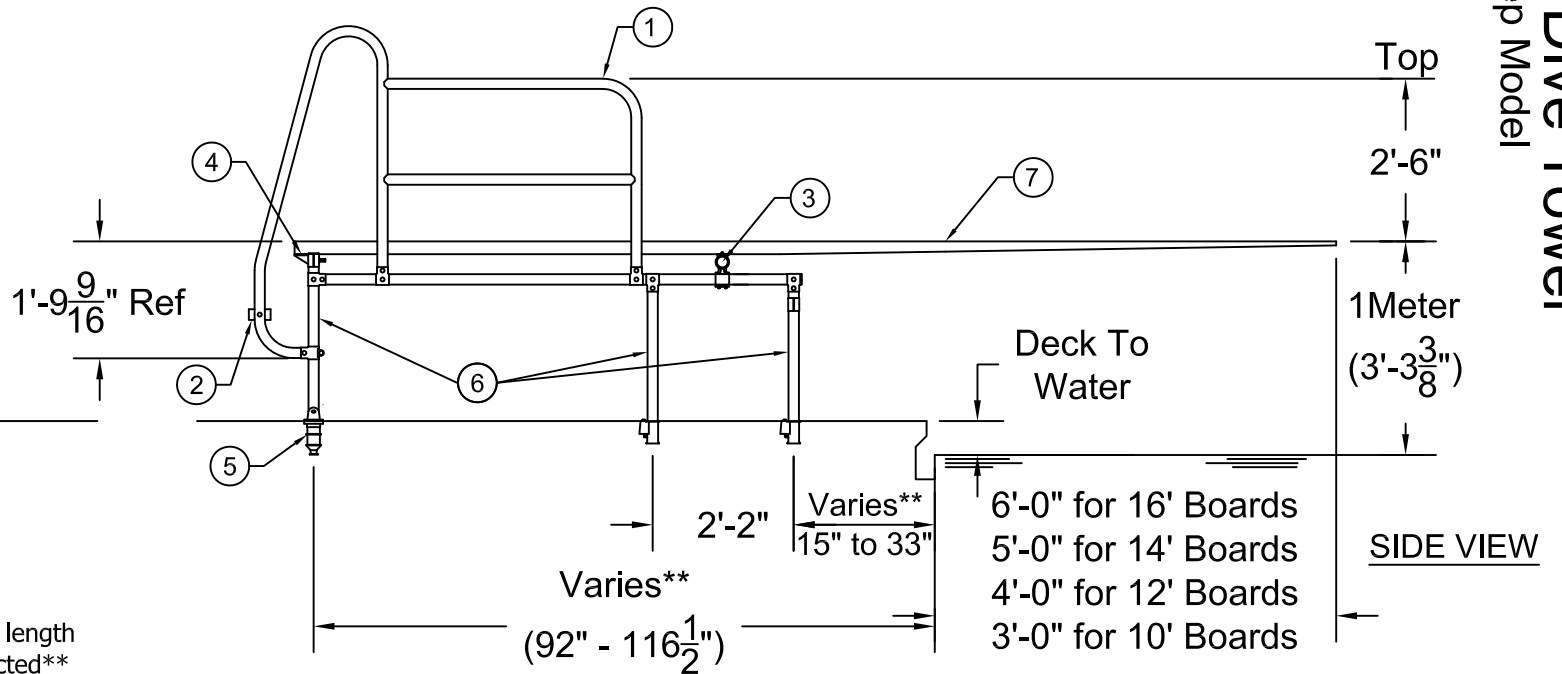
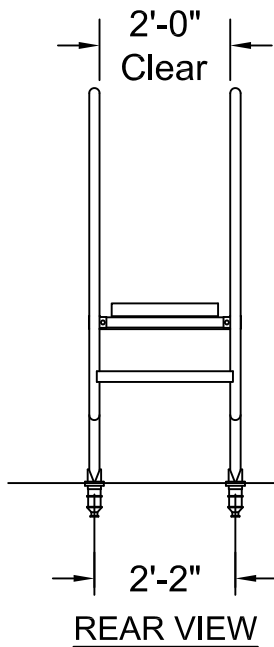
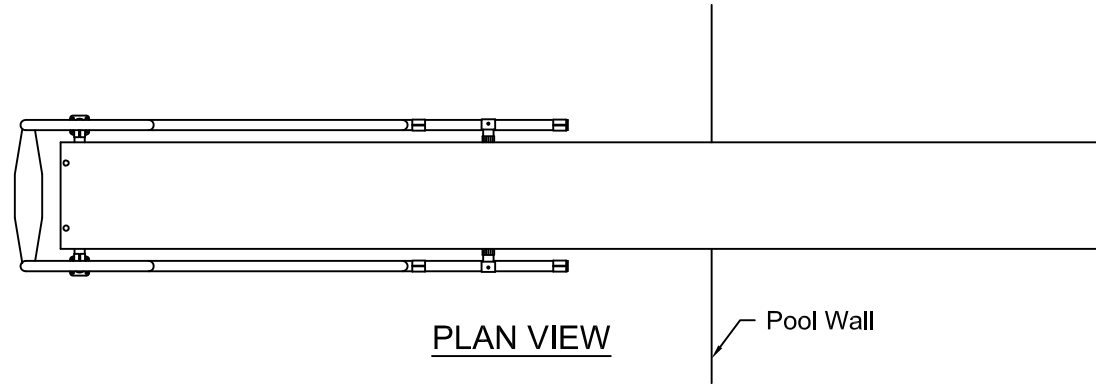
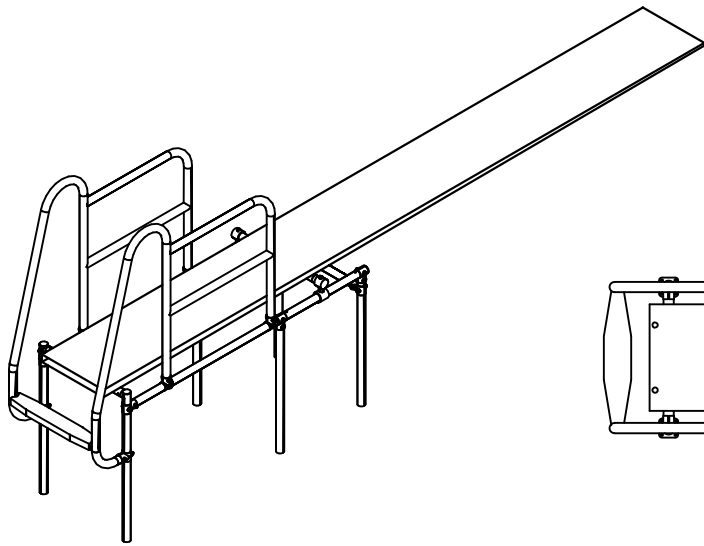


# 1M Sturdee Dive Tower, One-Step Model

# 1M Sturdee Dive Tower One-Step Model



\*\*Dimension varies based upon length and model of diving board selected\*\*

The data represents the latest knowledge available to us at time of presentation. However, Paragon Aquatics and others involved in gathering and presenting this drawing assume no liability for its use.

© 2008 Paragon Aquatics



**PARAGON  
AQUATICS**

Pental Water  
Commercial Pool & Aquatics

1351 Route 55  
LaGrangeville, New York  
12540  
Phone: 845-463-7200  
Fax: 845-463-7291  
www.paragonaquatics.com

Drawn by: SF	Date: 6/27/08	Approved by: JMM	Date: 6/27/08
Sheet Title: 1M Sturdee Dive Tower, One-Step Model			
Drawing Number: SS-DT20.50.1	Revision Letter: C	Sheet: 1 of 2	

# 1M Sturdee Dive Tower

## One-Step Model

### Part Numbers

Diving Board Type	Heavy Duty (1 Step)	Deluxe (1 Step)
16' Duraflex	14101	14115
14' Duraflex	14102	14116
16' Maxiflex	14103	14117
16' Paraflex	14104	14118
14' Paraflex	14105	14119
16' Century	14106	14120
14' Century	14107	14121
12' Deluxe	14132	14131
10' Deluxe	14142	14141

### Specifications

- ① The superstructure of the diving tower shall be fabricated of ASTM A-554 certified, 1.90" OD, Type 304 stainless steel polished to a 320 grit finish. For the Heavy Duty models, all members shall be made of 1.90" OD x .145" material, except for the intermediate guard rails which shall be made of 1.90" OD x .065" material. For the Deluxe models, the Fulcrum Support Bars and Base Bar shall be made of 1.90" OD x .145" material, the Front and Rear Legs made of 1.90" OD x .109" material, with all other members being made of 1.90" OD x .065" material. Optional Extended Guard Rails to pool wall are available for both the Heavy Duty and Deluxe models.
- ② Mounting steps shall be made of white, UV stabilized, ABS plastic with an integral, non-skid surface. The steps shall fit a 26" post spacing (center to center) and have a 5" tread depth.
- ③ The Hand Adjustable Fulcrum (tools required) shall consist of a fulcrum bar made of 1.90" OD x .145" T304 S/S encased within a rubber sleeve. A Geared Adjustable Fulcrum is available as an upgrade for both the Heavy Duty and Deluxe models, and should be specified at the time of order.
- ④ Duraflex and Maxiflex diving boards shall attach at the rear using swivel mounts, which serve to relieve stresses when diving board is in use. All other diving boards shall attach, less swivels, directly to the base bar.
- ⑤ Rear Anchor Deluxe shall be two piece construction comprised of a cast bronze body with a chrome plated cast bronze flange cap.
- ⑥ Front and rear legs shall be trimmed in field (by others) to achieve the desired diving board height above water dimension (i.e. 1M, 3/4M, 2/3M).
- ⑦ Diving board is not included, to be purchased separately. Diving board length and make shall be specified at the time of order. Please consult both national and local codes before selecting a board.

### General

The stainless steel frame shall be electro-chemically passivated on all worked areas for maximum corrosion resistance. All hardware shall be 18-8 stainless steel. Custom designs and modifications are available upon request.

### Accessories

Part #	Description
14507	Extended Guard Rails to Pool Wall, Heavy Duty (pair)
14508	Extended Guard Rails to Pool Wall, Deluxe (pair)
24101	26" Deluxe Geared Adjustable Fulcrum
24106	26" Economy Geared Adjustable Fulcrum

The data represents the latest knowledge available to us at time of presentation. However, Paragon Aquatics and others involved in gathering and presenting this drawing assume no liability for its use.

© 2008 Paragon Aquatics



**PARAGON  
AQUATICS**

Pentair Water  
Commercial Pool & Aquatics

1351 Route 55  
LaGrangeville, New York  
12540  
Phone: 845-463-7200  
Fax: 845-463-7291  
www.paragonaquatics.com

Drawn by: SF	Date: 6/27/08	Approved by: JMM	Date: 6/27/08
Sheet Title: 1M Sturdee Diving Tower, One-Step Model			
Drawing Number: SS-DT20.50.1	Revision Letter: C	Sheet: 2 of 2	