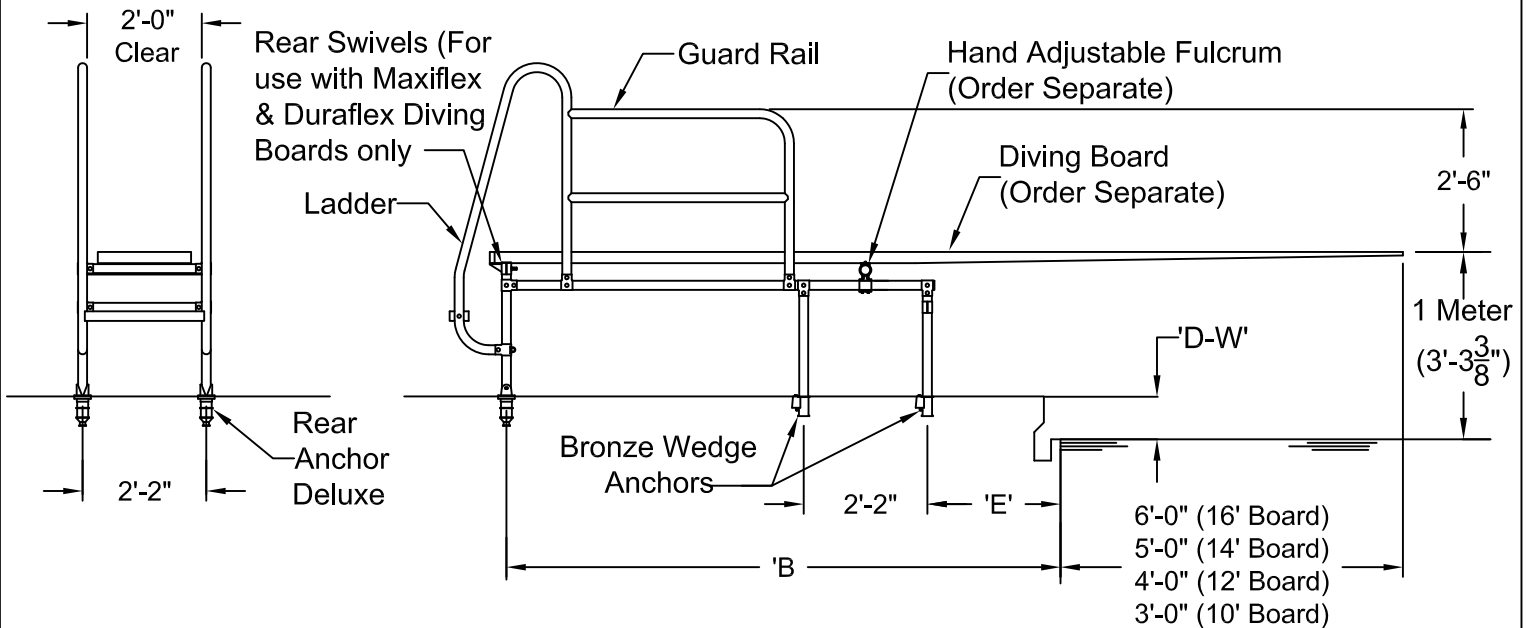


Assembly Instructions

Sturdee Dive Stand (1 or 2 Step)



Dear Valued Customer,

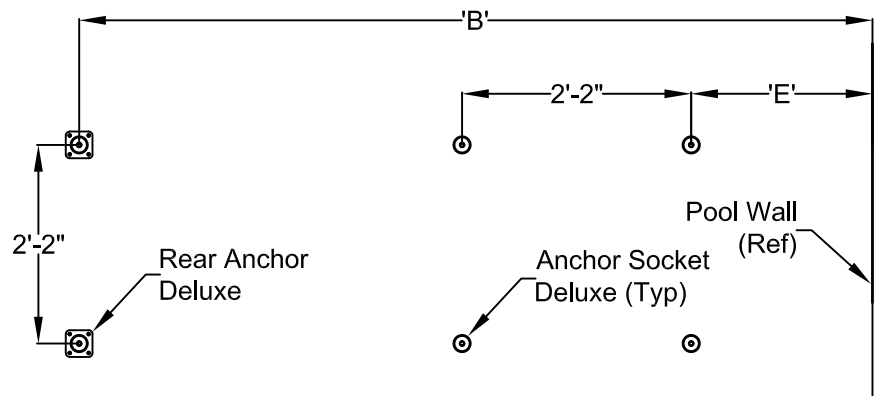
Thank you for your recent purchase of our Sturdee dive stand. The following instructions will assist you in the assembly of your tower. Page one of this document provides a side and rear view of how your tower will look when assembled and also gives anchor locations. Page two is an isometric 3-dimensional drawing which will aid in parts identification as well as parts locations. Page three provides step by step written instructions on how to assemble the tower. We trust that you will enjoy much satisfaction with the equipment you have purchased, and thank you for choosing Paragon deck equipment!

BOARD TYPE	'B' DIMENSION	'E' DIMENSION
16' MAXIFLEX	9'-8 1/2"	2'-9"
16' DURAFLEX	9'-8 1/2"	2'-4"
16' CENTURY	9'-8"	1'-5"
16' PARAFLEX	9'-8"	1'-5"
14' DURAFLEX	8'-8 1/2"	2'-6 3/4"
14' CENTURY	8'-8"	1'-5"
14' PARAFLEX	8'-8"	1'-5"
12' DELUXE	7'-8"	1'-5"
10' DELUXE	6'-8"	1'-3"

Notes:

'B' Dimension = Pool wall to center line of rear anchor deluxe

'E' Dimension = Pool wall to center line of front anchor socket



ANCHOR PLAN VIEW

Supersedes Assembly Instructions Dated 5/3/11



1351 Route 55
LaGrangeville, New York
12540
Phone: 845-463-7200
Fax: 845-463-7291
www.paragonaquatics.com

Dwn by: Date:
RV 2/14/12
App by: Date:
SF 2/14/12

Title:
**Sturdee Dive Stand (1 or 2 Step)
Assembly Drawing**

Drawing Number:
AI-DT20.50

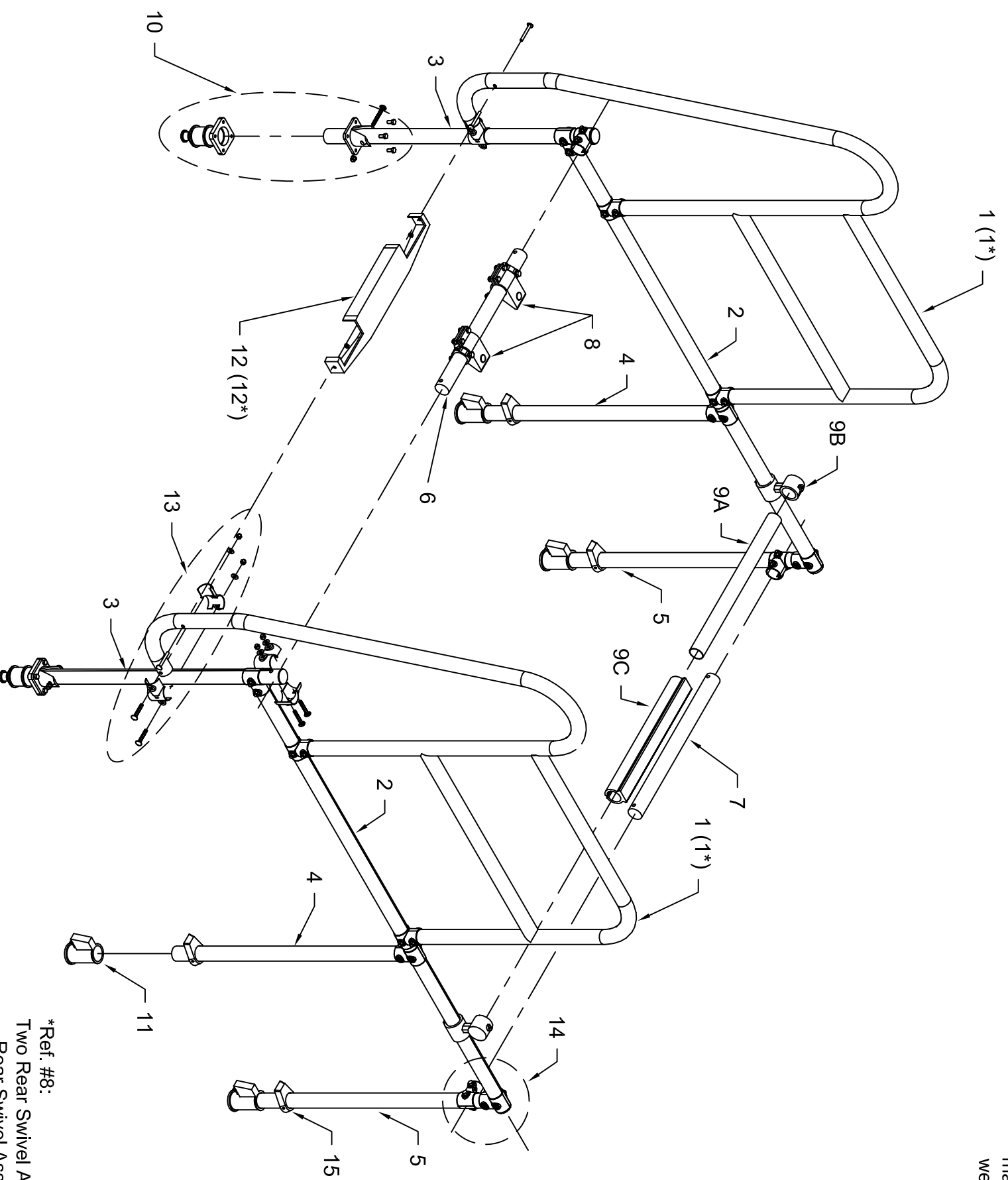
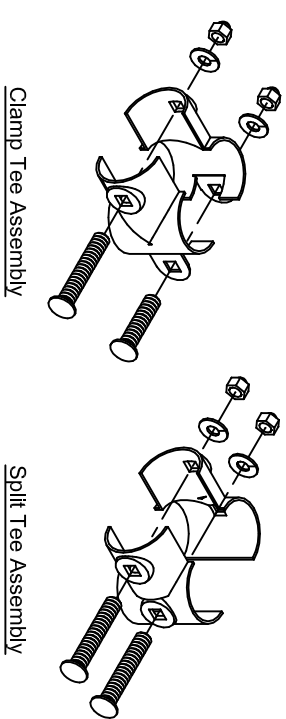
Tolerance:
(Unless noted)
N/A

Scale:
N/A

Material:
See Notes/Schedule

Rev Ltr: Sheet:
C 1 of 3

Note: Some tee assemblies (Ref. #s 13-14) may be pre-assembled mechanically and/or welded to superstructure at factory.



Suffix X = H: Heavy Duty (.145) / D: Deluxe (.109)

REF #	DESCRIPTION	QTY	PART #
1	Guard Rail Side Frame (1 Step Model)	2	13050X
1*	Guard Rail Side Frame (2 Step Model)	2	13051X
2	Fulcrum Support Bar	2	13052
3	Rear Leg	2	13053X
4	Intermediate Leg	2	13054X
5	Front Leg	2	13055X
6	Rear Swivel Support Bar	1	13056
7	Front Cross Bar	1	13058
8	Rear Swivel Assembly	1	*
9A	Fulcrum Bar	1	13057
9B	Fulcrum Holder, CPB	2	12518
9C	Rubber Fulcrum Sleeve, 24"	1	18102
10	Rear Anchor Deluxe	2	28201
11	Anchor Socket	4	28102
12	26" ABS Vertical Step (1 Step Model)	1	44107
12*	26" ABS Vertical Step (2 Step Model)	2	44107
13	Clamp Tee Assembly	2	12503
14	Split Tee Assembly	14	12501
15	Deluxe Escutcheon w/ Set Screw	4	28301

*Ref. #8:
Two Rear Swivel Assemblies are available:
Rear Swivel Assemblies for use with Duraflex Boards-ID# 18401
Rear Swivel Assemblies for use with Maxiflex Boards-ID# 18402
(All other Boards shall attach directly to base bar, less swivels)

This data represents the latest knowledge available to us at time of presentation. However Paragon Aquatics and others involved in gathering and presenting this drawing assume no liability for its use.

© 2011 Paragon Aquatics



PARAGON
AQUATICS

Pentair Water
Commercial Pool & Aquatics
www.paragonaquatics.com

1351 Route 55
LaGrangeville, New York
12540
Phone: 845-463-7200
Fax: 845-463-7291

Dwn by:	Date:	Title:	Material:
RV	2/14/12	Sturdee Dive Stand (1 or 2 Step) Assembly Drawing	See Notes/Schedule
App by:	Date:	Drawing Number:	Tolerance: (Unless noted)
SF	2/14/12	AI-DT20.50	N/A
		Scale:	Rev Ltr:
		N/A	C
		Sheet:	2 of 3

Supersedes Assembly Instructions Dated 2/14/12

STURDEE DIVE STAND (1 OR 2 STEP) ASSEMBLY INSTRUCTIONS:

General Notes: Your Sturdee diving tower has been shipped with some parts (Side Frames) pre-assembled at our factory. Prior to beginning, please inspect all pieces and boxes to ensure that parts were not damaged in transit. If damage is detected, notify your distributor/freight carrier immediately as a freight claim **must** be filed within a certain time frame from receipt of goods. Take a moment to review the front pages of this assembly drawing to familiarize yourself with the tower components and to verify all parts have been received. You'll notice that certain pieces are unique and will be depicted as left or right hand side (as viewed facing the pool from behind the tower). By reviewing the data sheets and by insuring that the open end of the T-connectors are facing each other, you can identify the left and right sides.

The tops of all anchor sockets and the tops of the bodies of the clamp flange anchor sockets are to be set flush with the finished deck and must be plumb. If there is more than 2 inches of fill and finish on the deck, a 1/2" bolt should be inserted into the bottom of the clamp flange anchor socket for added bond.

Note: All bolt connections should be hand tight until directed otherwise.

Assembly Instruction:

1. To achieve a board height over water of 1 Meter, take a vertical measurement from the top of each anchor to the water line. This is the amount to be trimmed from the bottom of each corresponding leg. In order to achieve a board height of 3/4M or 2/3M, trim an additional amount off each leg that is equal to the difference between 1 Meter and the desired board height over water. *NOTE: For a 2/3M setup, the deck to water measurement cannot exceed 4". For a 3/4M setup, the deck to water measurement cannot exceed 8".*
2. Slip the flange portion of the rear anchor over the rear legs (ref #3) and escutcheon plates (ref #15) over the front and intermediate legs (ref #4, #5). Drop the assembled side frames into the anchor sockets (ref #11). (In order to facilitate this, it may be helpful to loosen the nuts on the connectors joining the legs to the fulcrum support.)
3. Attach the front cross bar (ref #7) and the rear swivel support bar (ref #6). (If the rear swivels have been ordered, they will be factory installed on the base bar. Only dive stands using Duraflex or Maxiflex diving boards shall utilize rear swivels.)
4. Attach the mounting step(s) (ref #12) to the back rail using the provided hardware. **Caution - Do not over tighten the nuts as this may damage the steps.**
5. Bolt the flanges of the rear anchor deluxe (ref #10) to the socket body using 3/8" x 3/4" bolts. The rear legs (ref #3) must be drilled for attachment of the flange. Drill through the flange and the leg using a 13/32" bit. Bolt the flange with 3/8" x 3" carriage bolts.
6. Attach the fulcrum bar (ref #9A) and mount the diving board (not included).
7. Tighten all bolts, which were previously hand tight, including those in the sockets and the board bolts. (Drop the escutcheons into place and tighten the set screw.)

Note: Bolts should be periodically checked and tightened.

Supersedes Assembly Instructions Dated 5/3/11



**PARAGON
AQUATICS**
Pentair Water
Commercial Pool & Aquatics

1351 Route 55
LaGrangeville, New York
12540
Phone: 845-463-7200
Fax: 845-463-7291
www.paragonaquatics.com

Dwn by:	Date:	Title:	Material:			
RV	2/14/12	Sturdee Dive Stand (1 or 2 Step) Assembly Drawing	See Notes/Schedule			
App by:	Date:		Drawing Number:	Tolerance:	Scale:	Rev Ltr:
SF	2/14/12	AI-DT20.50	(Unless noted) N/A	N/A	C	3 of 3