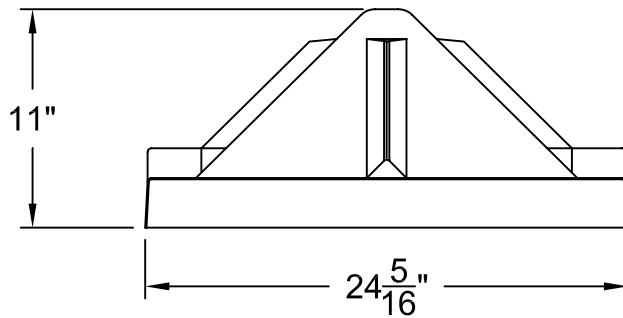
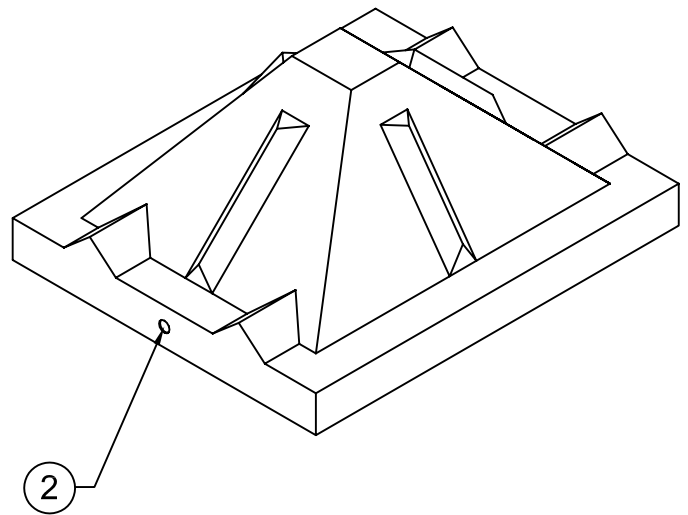
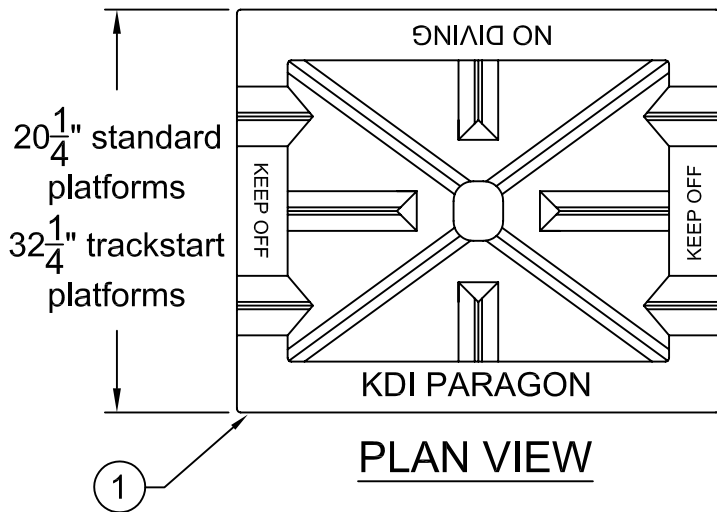


Starting Platform Safety Covers



SIDE VIEW

Part Number: **23960 (for standard 20"x24" platforms)**
23967 (for trackstart 32"x24" platforms)

Specifications

- ① Safety Covers shall be constructed from molded ABS plastic. The cover shall be "safety orange" in color to comply with ANSI standards.
- ② 1/2" holes shall be provided on both sides of the safety cover for easy installation with bungee cord (included).

General

Safety covers prevent unauthorized use of starting platforms.

The data represents the latest knowledge available to us at time of presentation. However, Paragon Aquatics and others involved in gathering and presenting this drawing assume no liability for its use.



**PARAGON
AQUATICS**
Pentair Water
Commercial Pool & Aquatics

1351 Route 55
LaGrangeville, New York
12540
Phone: 845-463-7200
Fax: 845-463-7291
www.paragonaquatics.com

Drawn by: RV	Date: 6/27/08	Approved by: JMM	Date: 6/27/08
Sheet Title: Starting Platforms Safety Covers			
Drawing Number: SS-AA20.74	Revision Letter: A	Sheet: 1 of 1	