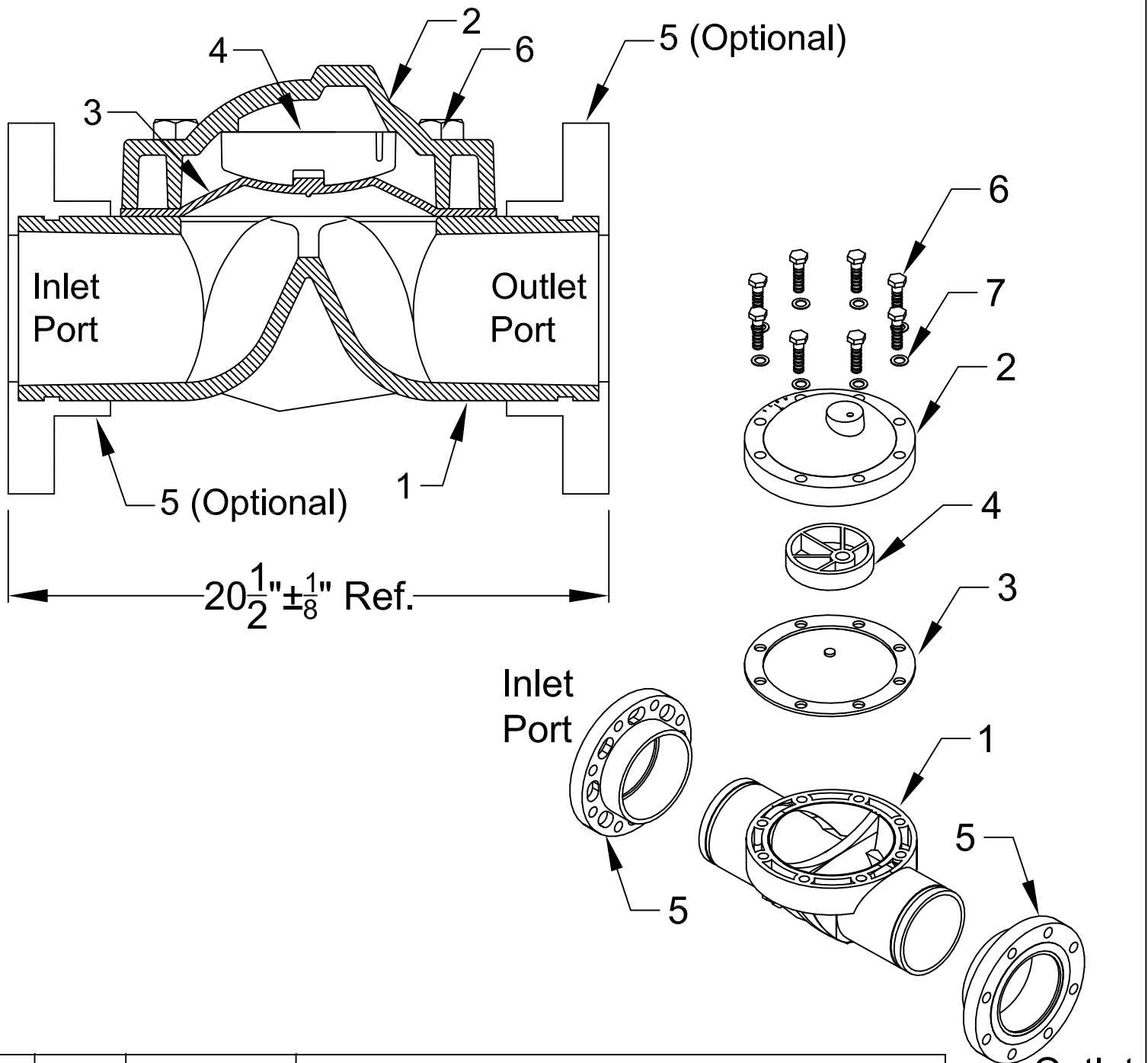


STARK 6" 2-WAY VALVE ASSEMBLY



Ref.	Qty:	Part #:	Description:
1	1	B4875	6" HOUSING, 2-WAY (DIAPHRAGM VALVE)
2	1	B4762	6" COVER, TAPPED (DIAPHRAGM VALVE)
3	1	B4763	DIAPHRAGM, 6" VALVE, 2-WAY (WITHOUT HOLE)
4	1	B4878	6" PLATE (DIAPHRAGM VALVE)
5	*	B4815	6" SOCKET FLANGE, SCHEDULE 80
6	8	94901	HEX HEAD BOLT, 3/4"-10 x 2 3/4" T316L S/S
7	8	94953	WASHER, .765" ID x 1.25" OD, T316L S/S
8	1	B4642	1/4" NPT x 3/8" OD QUICK ELBOW (NOT SHOWN)

This data represents the latest knowledge available to us at time of presentation. However Paragon Aquatics and others involved in gathering and presenting this drawing assume no liability for its use.
© 2011 Paragon Aquatics



**PARAGON
AQUATICS**
Pentair Water
Commercial Pool & Aquatics

1351 Route 55
LaGrangeville, NY 12540
Phone: 845-463-7200
Fax: 845-463-7291
www.paragonaquatics.com

Drawn by: JP
Date: 8/3/01

Approved by: JP
Date: 8/3/01

Title: 6" DIAPHRAGM VALVE
ASSEMBLY DRAWING

Drawing Number:
AI-V2-06

Rev Ltr:
E

Sheet:
1 of 1