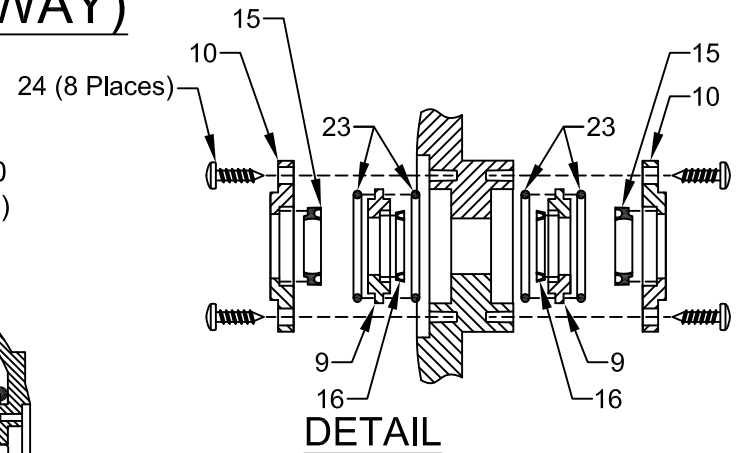
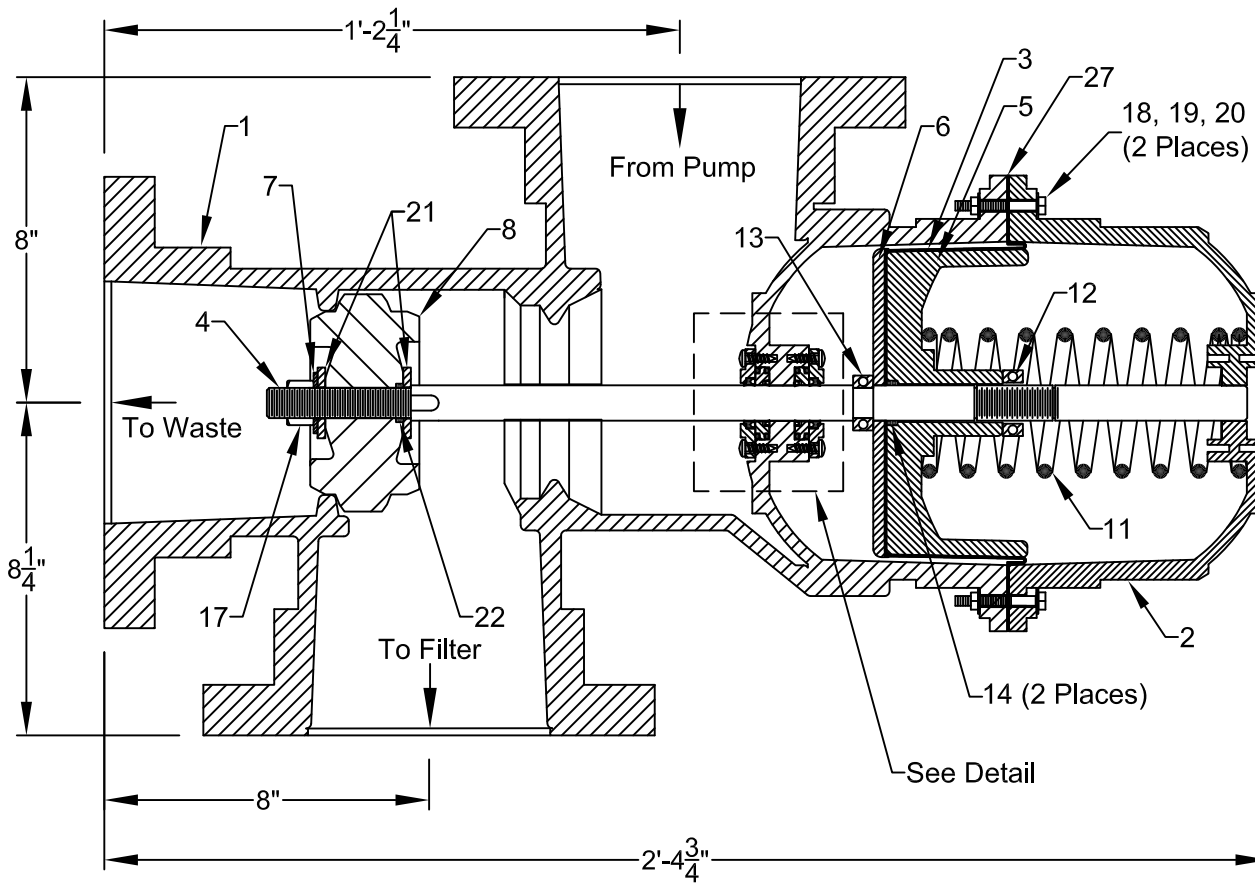


STARK SLIDE VALVE (6" 3-WAY)



SLIDE VALVE (SECTION VIEW)

* Denotes parts included in slide valve rebuild kit (SV3-06KIT)

| Ref. | Qty: | Part #: | Description: | Ref. | Qty: | Part #: | Description: | Ref. | Qty: | Part #: | Description: |
|------|------|---------|-----------------------------|------|------|---------|--|------|------|---------|--------------------------------------|
| 1 | 1 | B4688 | Valve housing assembly | 10 | 2 | B4832B | Retainer, outer | 19 | 12 | 94337 | Hex nut, 1/4"-20 UNC, T316L S/S |
| 2 | 1 | B4686 | Actuator housing (drilled) | 11 | 1 | B4692 | Spring, 3 1/2" OD x 2 3/4" ID x 9 1/2" | 20 | 24 | 94338 | Flat washer, 1/4", T316L S/S |
| 3 | 1 | B4690* | Diaphragm, slide valve | 12 | 1 | B4693 | Clamp collar, threaded, 2 piece (w/screws) | 21 | 2 | 94873 | Flat washer, .76 ID x 1.75 OD x .188 |
| 4 | 1 | B4691 | Shaft, slide valve | 13 | 1 | B4694 | Clamp collar, threaded, 2 piece (w/screws) | 22 | 1 | B4698* | O-ring, AS-210, BUNA-N |
| 5 | 1 | B4687 | Piston (drilled) | 14 | 2 | B4695* | O-ring, AS-212, BUNA-N | 23 | 4 | B4699* | O-ring, AS-222, BUNA-N |
| 6 | 1 | B4840 | Retainer, diaphragm | 15 | 2 | B4696* | Wiper, 8600-0087 | 24 | 8 | 94874 | Screw, #12 type AB x 3/4", T316L S/S |
| 7 | 1 | 94925 | 3/4" lock washer, T316L S/S | 16 | 2 | B4697* | Seal, 8404-0087 | 25 | 1 | B4646 | 3/8" union elbow (not shown) |
| 8 | 1 | B4839B* | Seal disk | 17 | 1 | 94908 | Hex nut, 3/4"-10, T316L S/S | 26 | 1 | B4636 | 3/8" x 3/8" stem adaptor (not shown) |
| 9 | 2 | B4832A | Retainer, inner | 18 | 12 | 94341 | HH screw, 1/4"-20 x 2 1/2" | 27 | 1 | B4689 | Flange gasket, actuator housing |

This data represents the latest knowledge available to us at time of presentation. However Paragon Aquatics and others involved in gathering and presenting this drawing assume no liability for its use.

© 2011 Paragon Aquatics



PARAGON AQUATICS
Pentair Water
Commercial Pool & Aquatics

1351 Route 55
LaGrangeville, NY 12540
Phone: 845-463-7200
Fax: 845-463-7291
www.paragonaquatics.com

Drawn by:
JP

Date:
6/12/03

Title: ASSEMBLY DRAWING FOR
STARK SLIDE VALVE (6" 3-WAY)

Approved by:
JP

Date:
6/12/03

Drawing Number:
AI-SV3-06

Rev Ltr:
F

Sheet:
1 of 1