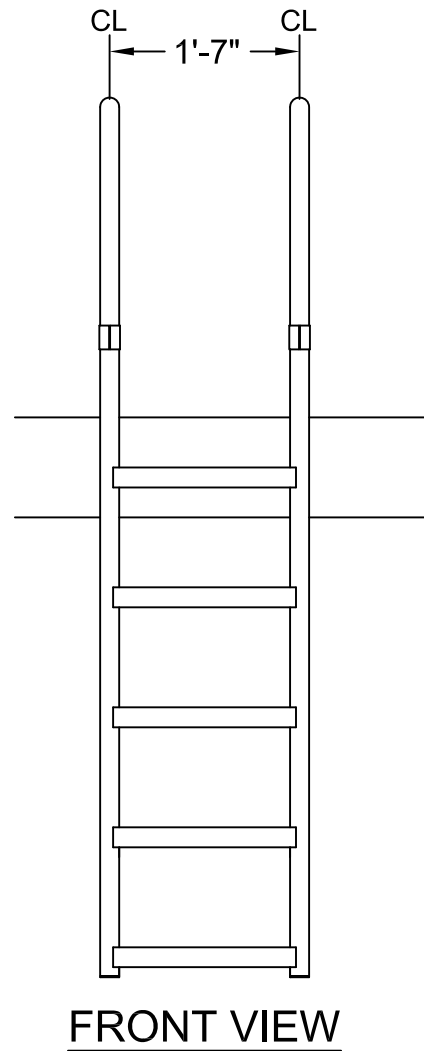
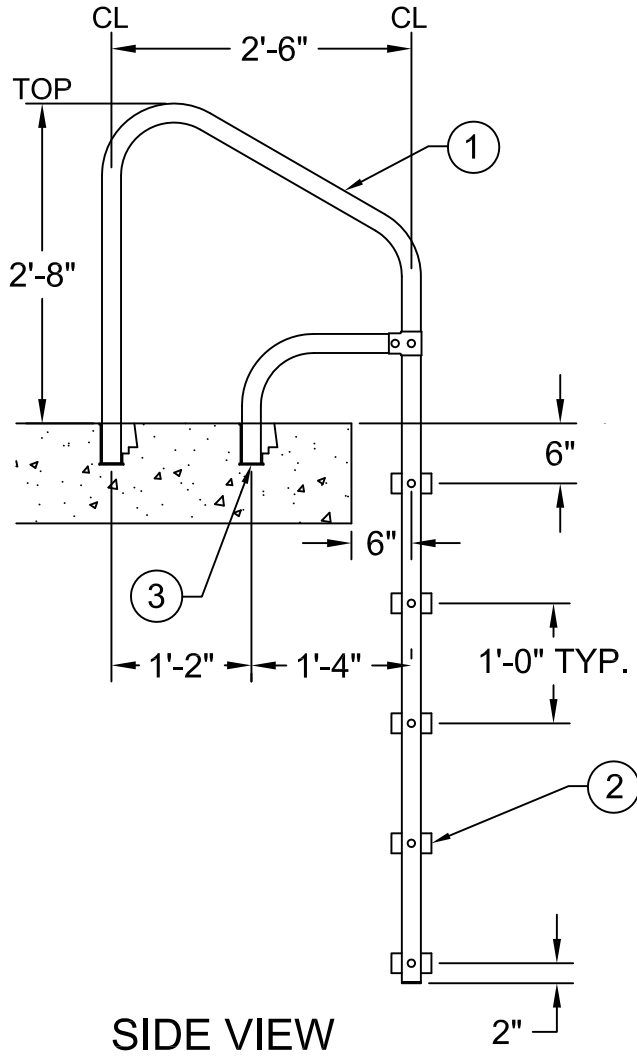
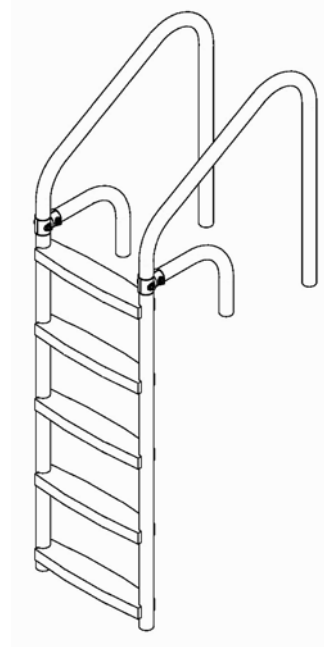
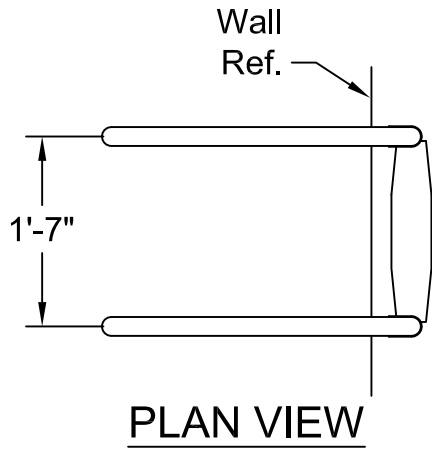


# Waterfront (Pier Ladder)



The data represents the latest knowledge available to us at time of presentation. However, Paragon Aquatics and others involved in gathering and presenting this drawing assume no liability for its use.

© 2008 Paragon Aquatics



**PARAGON  
AQUATICS**  
Pental Water  
Commercial Pool & Aquatics

1351 Route 55  
LaGrangeville, New York  
12540  
Phone: 845-463-7200  
Fax: 845-463-7291  
www.paragonaquatics.com

Drawn by: JMM Date: 6/27/08 Approved by: SF Date: 6/27/08

Sheet Title: Waterfront (Pier Ladder)

Drawing Number: SS-LD30.11

Revision Letter: C

Sheet: 1 of 2

# Waterfront (Pier Ladder)

## Specifications

- ① The ladder frames shall be fabricated from ASTM A-554 certified 1.90" OD x .065" wall thickness Type 304 stainless steel polished to a 320 grit finish. All bends shall be smooth and free of wrinkles.
- ② The ladder steps shall be made of injected molded, UV inhibited ABS material (white). The step shall be 19" long x 4" wide with an integral non skid surface.
- ③ The ladder posts shall be anchored in 4" deep bronze wedge anchor sockets (not included), which shall be fully embedded in a concrete deck.

## General

The stainless steel frame shall be electro-chemically passivated on all worked areas for maximum corrosion resistance. All hardware shall be 18-8 stainless steel. Custom designs and modifications are available upon request.

## Selector Chart

Description	ID Number
3 Step	42601
4 Step	42602
5 Step	42603

## Accessories

ID Number	Description
44101	19" Vertical ABS ladder step with hardware.
44102	19" Vertical stainless steel step with hardware
28102	Bronze wedge anchor socket for 1.90" OD.
28301	Deluxe chrome plated bronze escutcheon cover.
12501	Split tee assembly with hardware

The data represents the latest knowledge available to us at time of presentation. However, Paragon Aquatics and others involved in gathering and presenting this drawing assume no liability for its use.

© 2008 Paragon Aquatics



**PARAGON  
AQUATICS**

Pentair Water  
Commercial Pool & Aquatics

1351 Route 55  
LaGrangeville, New York  
12540  
Phone: 845-463-7200  
Fax: 845-463-7291  
www.paragonaquatics.com

Drawn by: JMM Date: 6/27/08 Approved by: SF Date: 6/27/08

Sheet Title: Waterfront (Pier Ladder)

Drawing Number: SS-LD30.11 Revision Letter: C Sheet: 2 of 2