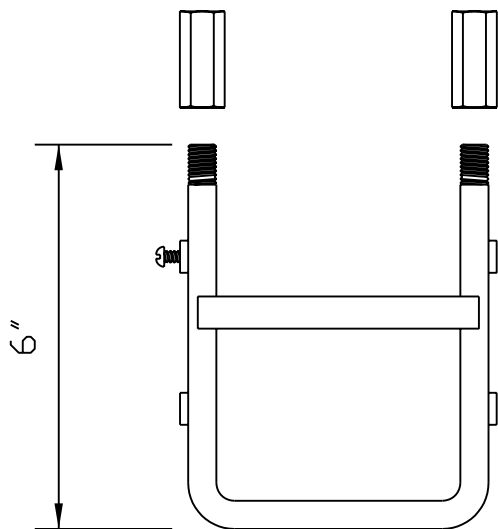
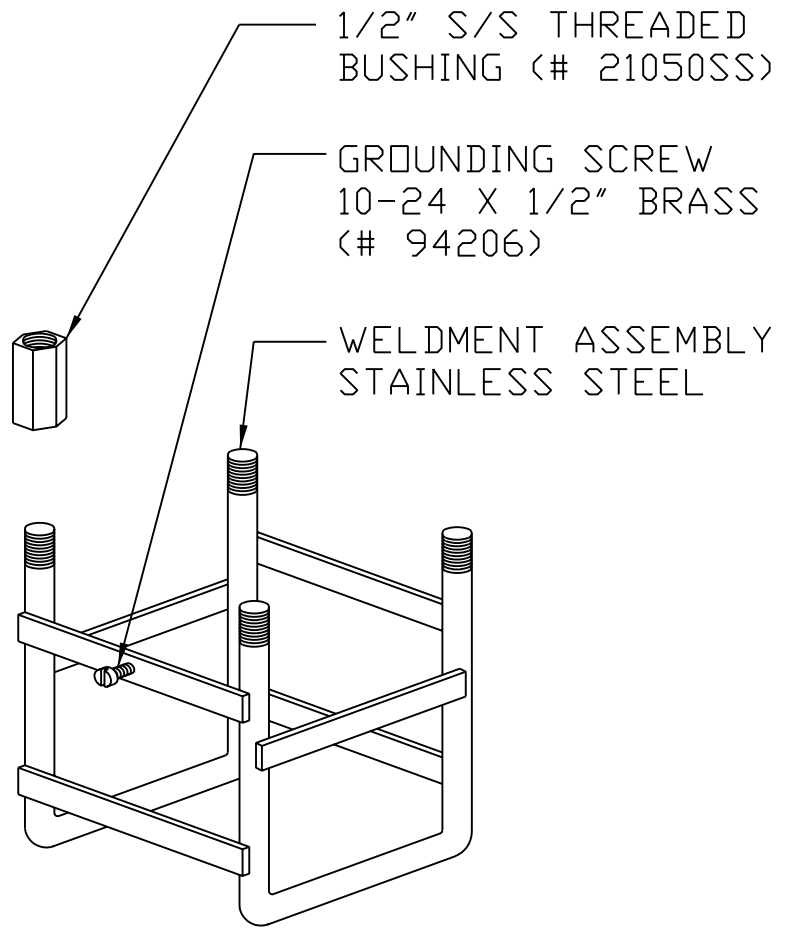


TOP VIEW



SIDE VIEW



MATERIAL: STAINLESS STEEL

PART # 21005

This data represents the latest knowledge available to us at time of presentation. However Paragon Aquatics and others involved in gathering and presenting this drawing assume no liability for its use.

© 2002 Paragon Aquatics



PARAGON AQUATICS
A DIVISION OF PARAGON, INC.

1351 Route 55
LaGrangeville, New York
12540
Tel: (845) 452-5500
Fax: (845) 452-5426

Sheet
Title:

ANCHOR ASSEMBLY FOR
LIFEGUARD CHAIR PEDESTAL

Drawn
By:

ARM

Date:

5/13/96

Check
By:

MC

Date:

11/27/02

Dwg.
No.

PD-21005

Rev.
Ltr.

B