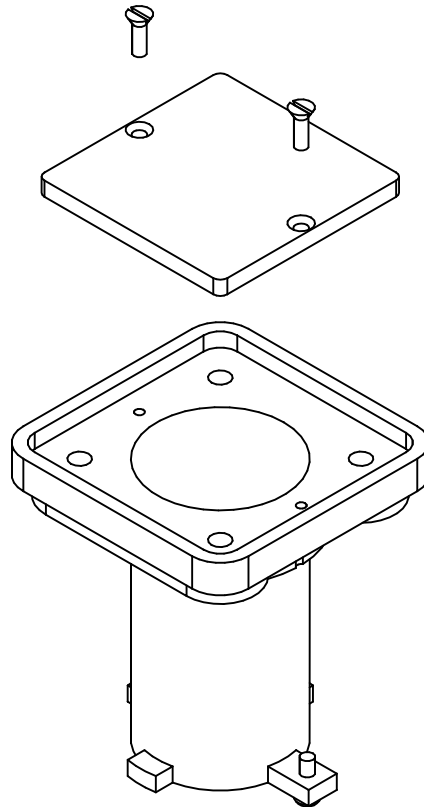
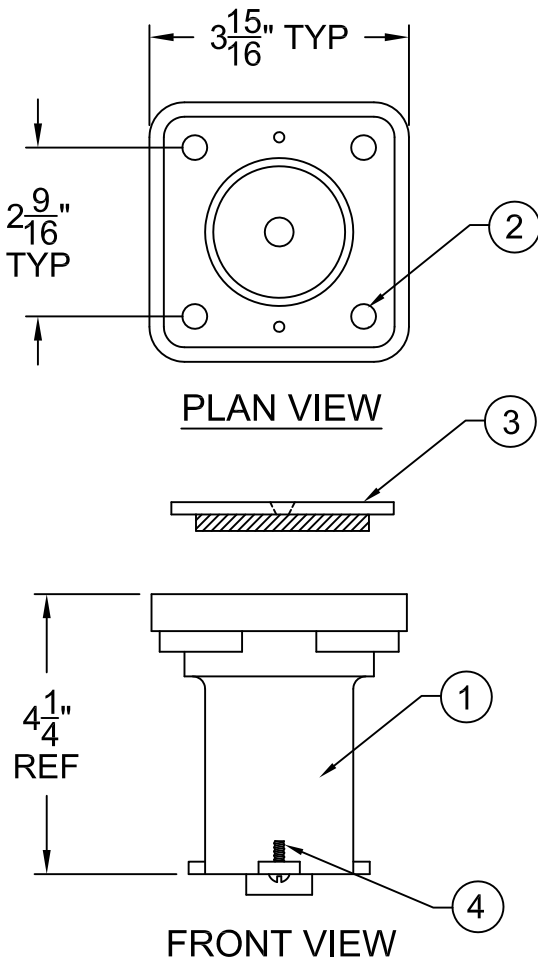


Paraflyte Anchor



Part Number: 22201

Specifications

- ① Anchor shall be made of cast bronze with a hole provided in the bottom of the anchor to assist with drainage.
- ② Four 3/8"-16 threaded holes shall be provided in anchor. Four anchor bolts provided with the starting platform to be used for anchoring Paraflyte single leg starting platforms (except Long Reach Paraflyte starting platform).
- ③ Anchor cover shall be made of cast bronze (included) to cover anchor sockets when starting platform is not in use. A black foam pad shall be attached to the underside of the cover and the cover shall be held in place by two screws (provided).
- ④ A brass screw is provided for bonding/grounding purposes.

General

All hardware shall be 18-8 stainless steel. Anchor is to be fully embedded in concrete and installed per Paragon Aquatics installation instructions. Anchor is intended for use with Paraflyte style platforms only.

Accessories

22203	Paraflyte Anchor Cover w/ Screws
93982	Platform Anchor Bolt Hardware Kit

The data represents the latest knowledge available to us at time of presentation. However, Paragon Aquatics and others involved in gathering and presenting this drawing assume no liability for its use.



**PARAGON
AQUATICS**
Pentair Water
Commercial Pool & Aquatics

1351 Route 55
LaGrangeville, New York
12540
Phone: 845-463-7200
Fax: 845-463-7291
www.paragonaquatics.com

Drawn by: **RV** Date: **5/16/12** Approved by: **JMM** Date: **5/16/12**

Sheet Title: **Paraflyte Anchor**

Drawing Number: **SS-SPA20.94**

Revision Letter: **B**

Sheet: **1 of 1**