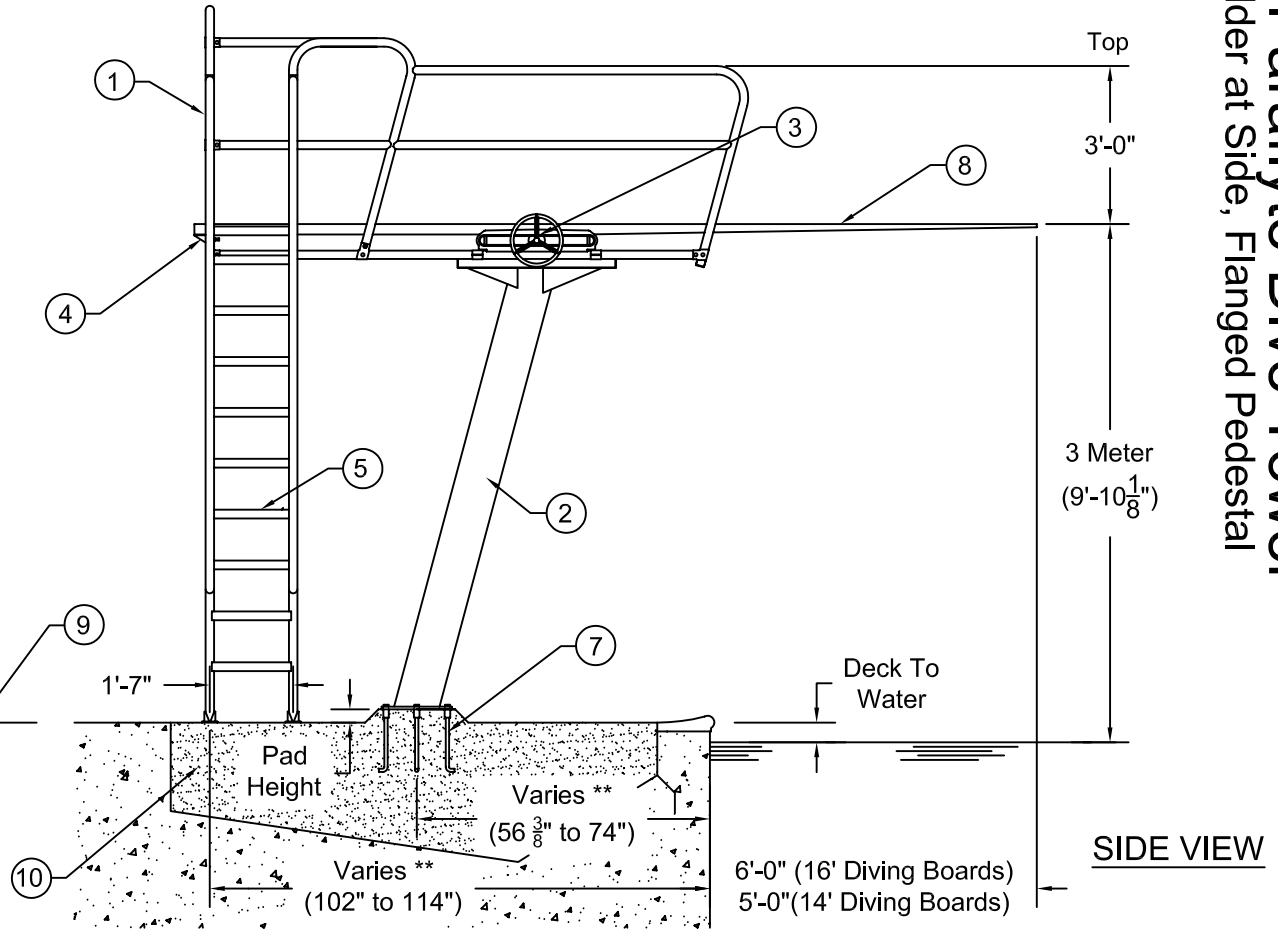
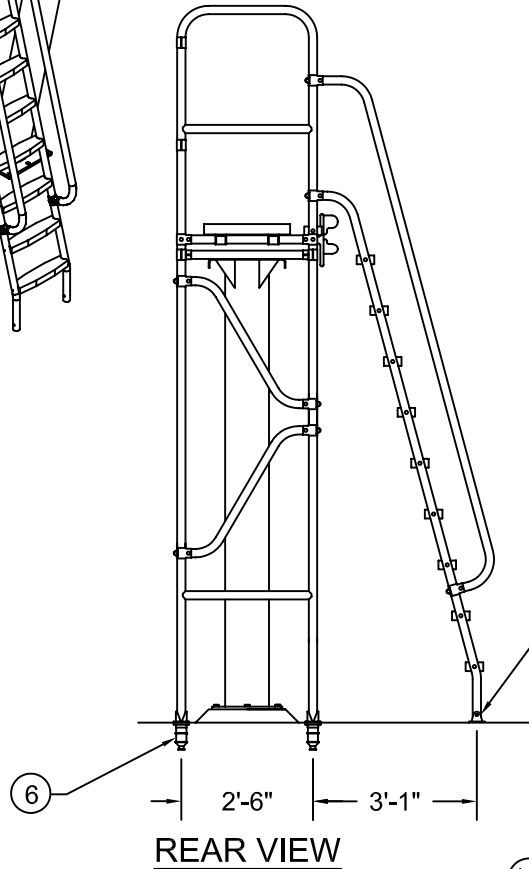
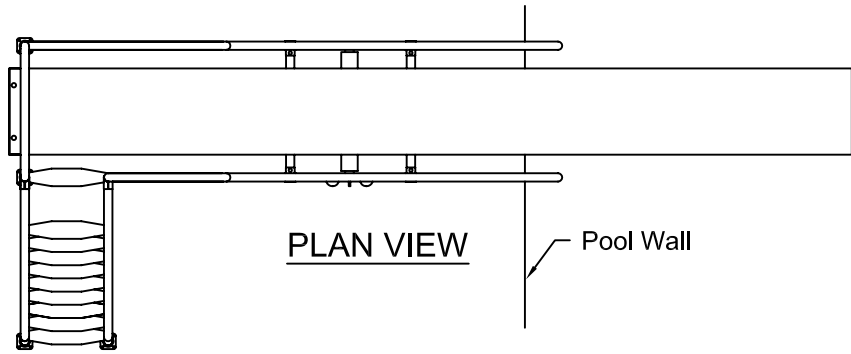
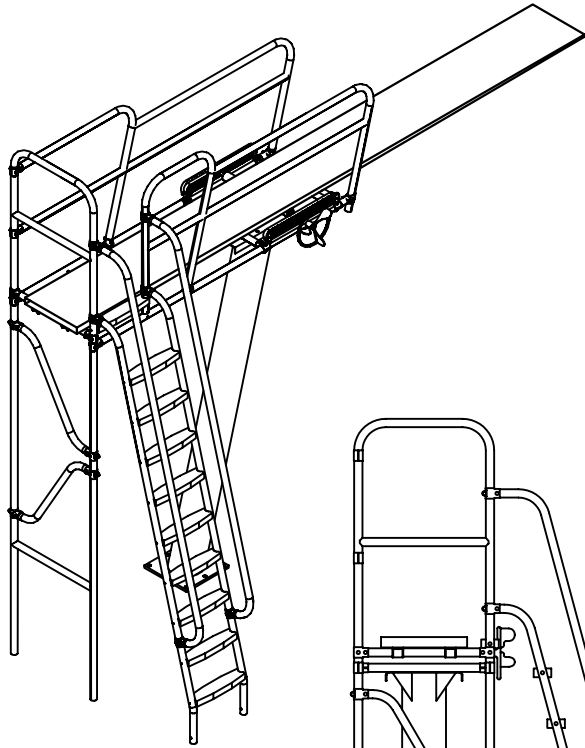


# 3M Paraflyte Dive Tower, Ladder at Side, Flanged Pedestal

## 3M Paraflyte Dive Tower Ladder at Side, Flanged Pedestal



\*\* - Dimension varies based upon length and model of diving board selected

The data represents the latest knowledge available to us at time of presentation. However, Paragon Aquatics and others involved in gathering and presenting this drawing assume no liability for its use.

© 2008 Paragon Aquatics



**PARAGON AQUATICS**  
Pentair Water  
Commercial Pool & Aquatics

1351 Route 55  
LaGrangeville, New York  
12540  
Phone: 845-463-7200  
Fax: 845-463-7291  
www.paragonaquatics.com

Drawn by: <b>RV</b>	Date: <b>6/27/08</b>	Approved by: <b>SF</b>	Date: <b>6/27/08</b>
Sheet Title: <b>3M Paraflyte Dive Tower, Ladder at Side, Flanged Pedestal</b>			
Drawing Number: <b>SS-DT10.17</b>	Revision Letter: <b>B</b>	Sheet: <b>1 of 2</b>	

# 3M Paraflyte Dive Tower

## Ladder at Side, Flanged Pedestal

### Part Numbers

Diving Board Type	Ultraflyte	Superflyte	Topflyte
16' Duraflex	12051	12058	12065
14' Duraflex	12052	12059	12066
16' Maxiflex	12053	12060	12067
16' Paraflex	12054	12061	12068
14' Paraflex	12055	12062	12069
16' Century	12056	12063	12070
14' Century	12057	12064	12071

### Specifications

- ① The superstructure of the diving tower shall be fabricated of ASTM A-554 certified, 1.90" OD, Type 304 stainless steel polished to a 320 grit finish. For Ultraflyte models, all members shall be made of 1.90" OD x .145" material. For Superflyte models, the Fulcrum Support Bars and Base Bar shall be made of 1.90" OD x .145" material, the Ladder Risers made of 1.90" OD x .109" material, with all other members being made of 1.90" OD x .065" material. For Topflyte models, the Fulcrum Support Bars and Base Bar shall be made of 1.90" OD x .145" material, with all other members being made of 1.90" OD x .065" material.
- ② The Front Support Pedestal shall be constructed of carbon steel with a primer paint coating (rust colored). The pedestal shall be constructed of 10" x .25" thick pipe (10 5/8" OD). The bottom pedestal flange shall have eight (8) 1" diameter holes for mounting.
- ③ The Geared Adjustable Fulcrum shall be mounted to the Fulcrum Support Bars, and shall be capable 23" of horizontal movement (center of fulcrum  $\pm$  11 1/2"). The fulcrum shall be provided with adjustable stops to limit fulcrum travel when required. The Deluxe Geared Adjustable Fulcrum (provided on Ultraflyte and Superflyte models) shall be constructed of chrome plated bronze gear holders and wheels, and a stainless steel fulcrum shaft. The Economy Geared Adjustable Fulcrum shall be constructed of cast aluminum with a white enamel finish, and a stainless steel fulcrum shaft.
- ④ The diving board shall attach at the rear using swivel mounts, which serve to relieve stresses when diving board is in use.
- ⑤ Mounting steps shall be made of white, UV stabilized, ABS plastic with an integral, non-skid surface. The steps shall fit a 19" post spacing (center to center) and have a 4" tread depth.
- ⑥ Rear Anchor Deluxe shall be two piece construction comprised of a cast bronze body with a chrome plated cast bronze flange cap.
- ⑦ Pedestal Anchor Bolt Assembly shall consist of eight (8) 1/2" "J" bolts and bushings, fully embedded in concrete. The "J" bolts and bushing shall be made of carbon steel. Other materials and anchoring configurations are available upon request.
- ⑧ Diving board is not included, to be purchased separately. Diving board length and make shall be specified at the time of order. Please consult both national and local codes before selecting a board.
- ⑨ Ladder risers shall be anchored to the pool deck using clamp flanges, screwed with lag bolts and shields, provided.
- ⑩ Anchor footing shall be concrete and designed to resist applied loading to the tower from use. These loads include a 4,500 lb vertical load and a 9,000 ft.-lb. moment at the front anchor, and a combined upward vertical load of 1,500 lbs. at the rear anchors.

### General

The stainless steel frame shall be electro-chemically passivated on all worked areas for maximum corrosion resistance. All hardware shall be 18-8 stainless steel. Custom designs and modifications are available upon request.

The data represents the latest knowledge available to us at time of presentation. However, Paragon Aquatics and others involved in gathering and presenting this drawing assume no liability for its use.



**PARAGON  
AQUATICS**  
Pentair Water  
Commercial Pool & Aquatics

1351 Route 55  
LaGrangeville, New York  
12540  
Phone: 845-463-7200  
Fax: 845-463-7291  
www.paragonaquatics.com

Drawn by: RV	Date: 6/27/08	Approved by: SF	Date: 6/27/08
Sheet Title: 3M Paraflyte Dive Tower, Ladder at Side, Flanged Pedestal			
Drawing Number: SS-DT10.17	Revision Letter: B	Sheet: 2 of 2	