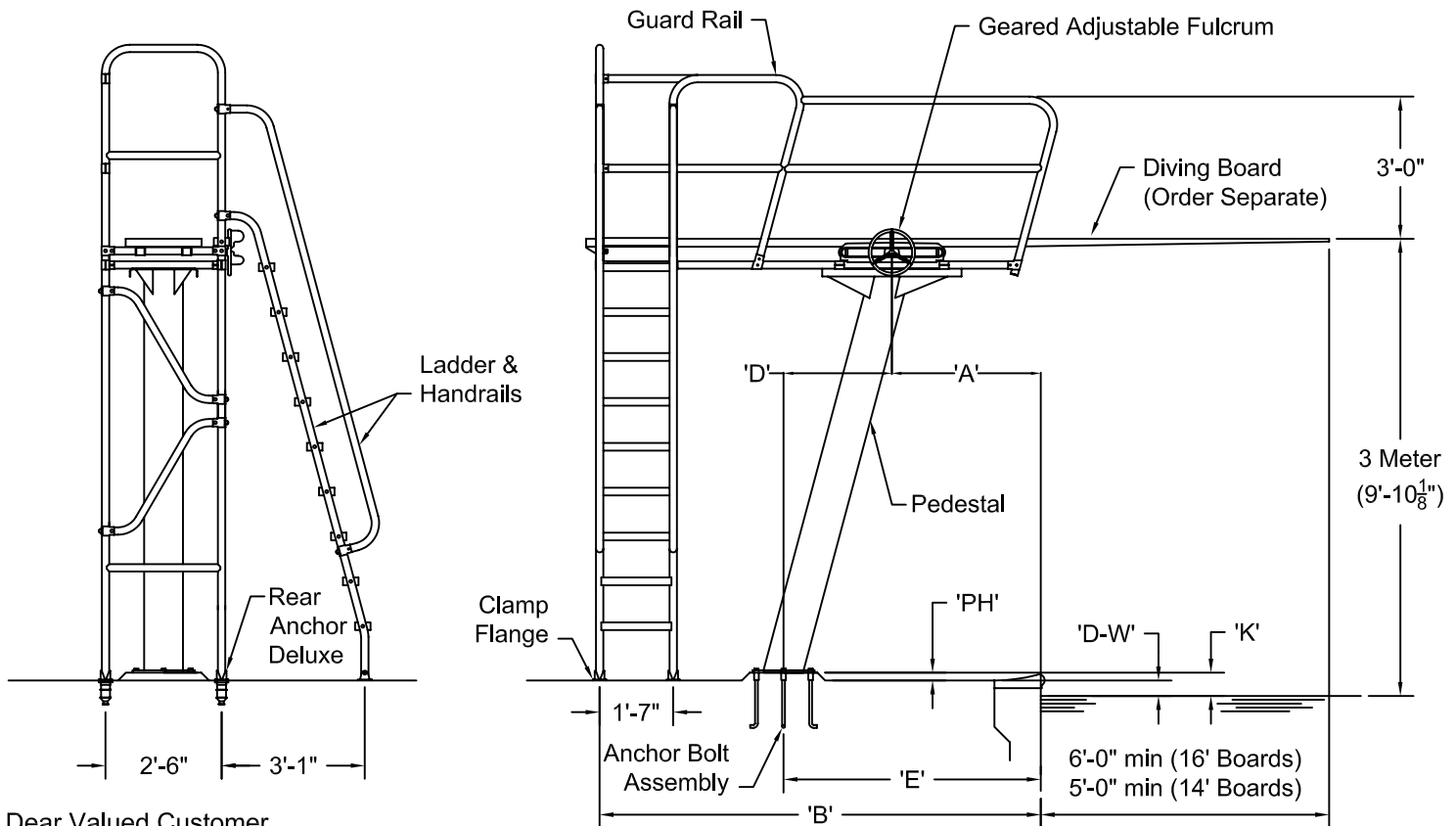


Assembly Instructions Three Meter Paraflyte Diving Tower (Ladder at Side with Flanged Pedestal)



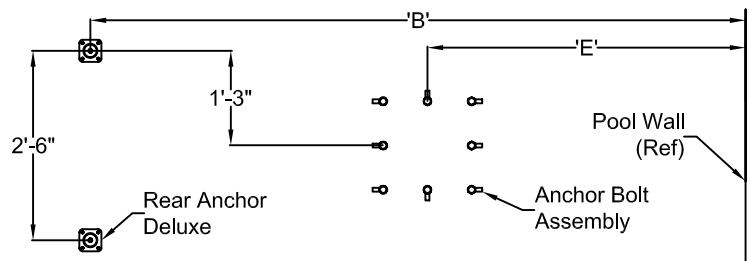
Dear Valued Customer,

Thank you for your recent purchase of our 3 Meter Paraflyte diving tower with ladder at side. The following instructions will assist you in the assembly of your tower. Page one of this document provides a side and rear view of how your tower will look when assembled and also gives anchor locations. Page two is an isometric 3-dimensional drawing which will aid in parts identification as well as parts locations. Page three provides step by step written instructions on how to assemble the tower. We trust that you will enjoy much satisfaction with the equipment you have purchased, and thank you for choosing Paragon deck equipment!

| 'K' DIMENSION | DECK TO WATER ('D-W') | PAD HEIGHT ('PH') | PEDESTAL HEIGHT | 'D' DIMENSION |
|---------------|-----------------------|-------------------|-----------------|---------------|
| 6" | 0" | 6" | 104 3/8" | 28" |
| 6" | 1" | 5" | 104 3/8" | 28" |
| 6" | 2" | 4" | 104 3/8" | 28" |
| 6" | 3" | 3" | 104 3/8" | 28" |
| 6" | 4" | 2" | 104 3/8" | 28" |
| 6" | 5" | 1" | 104 3/8" | 28" |
| 6" | 6" | 0" | 104 3/8" | 28" |
| 12" | 7" | 5" | 98 3/8" | 26 3/8" |
| 12" | 8" | 4" | 98 3/8" | 26 3/8" |
| 12" | 9" | 3" | 98 3/8" | 26 3/8" |
| 12" | 10" | 2" | 98 3/8" | 26 3/8" |
| 12" | 11" | 1" | 98 3/8" | 26 3/8" |
| 12" | 12" | 0" | 98 3/8" | 26 3/8" |

Notes:
 'K' Dimension = Top of pad to water line ('PH' + 'D-W')
 'D' Dimension = Center line of top of pedestal to center line of bottom of pedestal (horizontal distance)

| BOARD TYPE | 'B' DIMENSION | 'A' DIMENSION | Notes: |
|--------------|---------------|---------------|--|
| 16' MAXIFLEX | 9'-6" | 42 1/2" | 'B' Dimension = Pool wall to center line of rear anchor deluxe |
| 16' DURAFLEX | 9'-6" | 38 1/2" | |
| 16' CENTURY | 9'-6" | 25 1/2" | 'A' Dimension = Pool wall to center line of top of pedestal |
| 16' PARAFLEX | 9'-6" | 25 1/2" | |
| 14' DURAFLEX | 8'-6" | 42 1/2" | 'E' Dimension = 'A' + 'D' |
| 14' CENTURY | 8'-6" | 25 1/2" | |
| 14' PARAFLEX | 8'-6" | 25 1/2" | |



ANCHOR PLAN VIEW



1351 Route 55
 LaGrangeville, New York
 12540
 Phone: 845-463-7200
 Fax: 845-463-7291
 www.paragonaquatics.com

Dwn by: Date:
 RV 1/14/11

Title:
3 Meter Paraflyte Diving Tower, Ladder At Side, Flanged Pedestal Assembly Drawing

Material:
 See Notes/Schedule

App by: Date:
 JMM 1/14/11

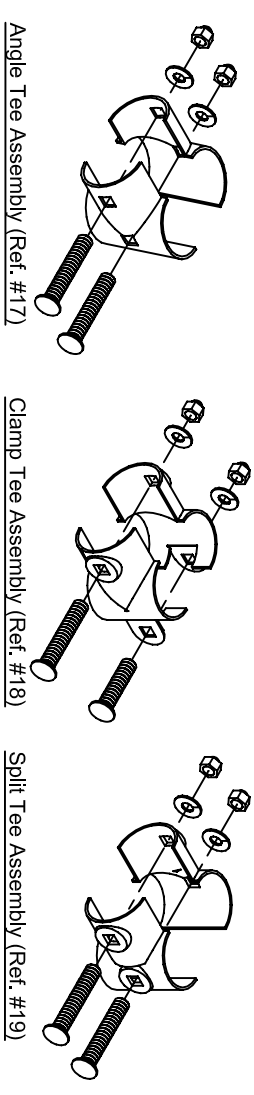
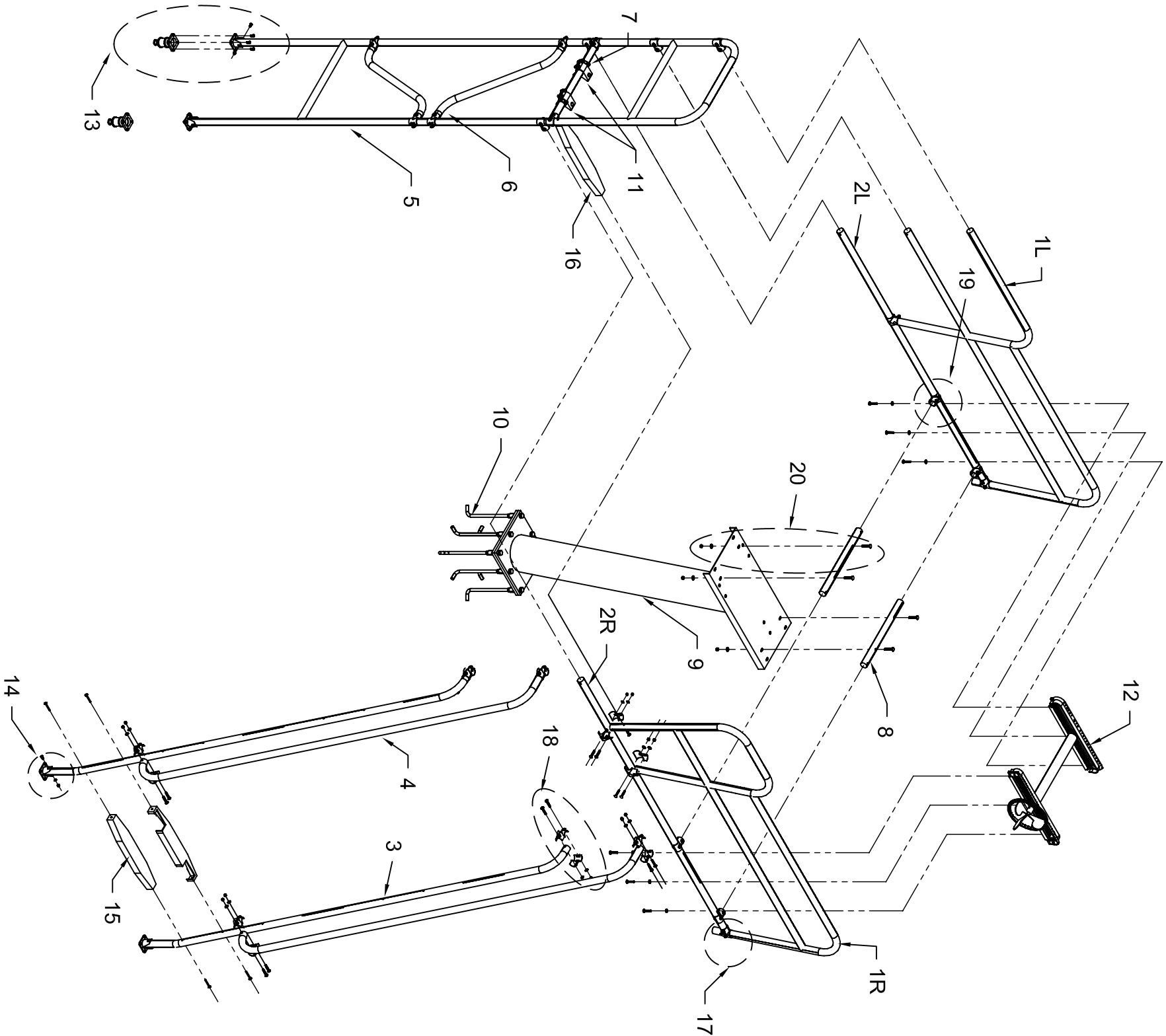
Drawing Number:
AI-DT10.17

Tolerance:
 (Unless noted)
 N/A

Scale:
 N/A

Rev Ltr:
 B

Sheet:
 1 of 3



Note: Some tee assemblies (Ref. #s 17-19) may be pre-assembled mechanically and/or welded to superstructure at factory.

*Ref. #9:
Two standard pedestal heights are available:
For D-W= 0" to 6" - ID# 12320, 104³/₈" high pedestal
For D-W= 7" to 12" - ID# 12321, 98³/₈" high pedestal

**Ref. #10:
Five pedestal anchors are available:
Flanged Stub Assembly- ID# 12301
Cage Anchor Assembly- ID# 12304
Anchor Bolt Assembly- ID# 12307
Anchor Bolt Assembly (all S/S)- ID# 12308
Anchor Bolt Assembly (S/S bushings & HW w/ CS 'J' bolts)- ID# 12309

***Ref. #11:
Three Rear Swivel Assemblies are available:
Rear Swivel Assemblies for use with Duralflex Boards-ID# 18401
Rear Swivel Assemblies for use with Maxiflex Boards-ID# 18402
Rear Swivel Assemblies for use with all other Boards-ID# 18403

****Ref. #12:
Geared Adjustable Fulcrums available:
30" Deluxe Geared Adjustable Fulcrum-ID# 24102
30" Economy Geared Adjustable Fulcrum-ID# 24107

*****Ref. #20:
Each set of hardware includes:
(1) 7/8"-14 x 3" S/S Hex Head Bolt, ID# 94604
(1) 7/8" S/S Lockwasher, ID# 94660
(1) 7/8"-14 S/S Hex Nut, ID# 94650

Suffix X= U: Ultraflyte (.145) / S: Superflyte (.109) / T: Topflyte (.065)
(Specify Board Type and Length when ordering REF # 2L and/or 2R)

| REF # | DESCRIPTION | QTY | PART # |
|-------|--|--------|--------|
| 1L | Guard Rail Side Frame (Left Side) | 1 | 13020X |
| 1R | Guard Rail Side Frame (Right Side - Ladder) | 1 | 13019X |
| 2L | Fulcrum Support Bar (Right Side) | 1 | 13028 |
| 2R | Fulcrum Support Bar (Rights Side - Ladder) | 1 | 13027 |
| 3 | Ladder Riser | 2 | 13022X |
| 4 | Hand Rail | 2 | 13014X |
| 5 | Rear Leg | 1 | 13031X |
| 6 | 'S'-Brace | 2 | 13032X |
| 7 | Rear Swivel Support Bar (Base Bar) | 1 | 13013 |
| 8 | Pedestal Cross Bar | 2 | 13016 |
| 9 | Pedestal | 1 | * |
| 10 | Pedestal Anchor | 1 | ** |
| 11 | Rear Swivel Assembly | 1 | *** |
| 12 | Gear Adjustable Fulcrum (with sliding collars) | 1 | **** |
| 13 | Rear Anchor Deluxe | 2 | 28201 |
| 14 | Clamp Flange Assembly (with hardware) | 2 | 28202 |
| 15 | 19" ABS Sloping Step (with hardware) | 9 | 44104 |
| 16 | 19" ABS Vertical Step (with hardware) | 1 | 44101 |
| 17 | Angle Tee Assembly (with hardware) | 4 | 12507 |
| 18 | Clamp Tee Assembly (with hardware) | 10 | 12503 |
| 19 | Split Tee Assembly (with hardware) | 11 | 12501 |
| 20 | Superstructure to Pedestal mounting hardware | 4 sets | ***** |

This data represents the latest knowledge available to us at time of presentation. However Paragon Aquatics and others involved in gathering and presenting this drawing assume no liability for its use.

© 2008 Paragon Aquatics



PARAGON AQUATICS
Pentair Water
Commercial Pool & Aquatics

1351 Route 55
LaGrangeville, New York
12540
Phone: 845-463-7200
Fax: 845-463-7291
www.paragonaquatics.com

| | | | |
|-------------|---------------|--|------------------------------|
| Dwn by: RV | Date: 1/14/11 | Title: 3 Meter Paraflyte Diving Tower, Ladder At Side, Flanged Pedestal Assembly Drawing | Material: See Notes/Schedule |
| App by: JMM | Date: 1/14/11 | Drawing Number: AI-DT10.17 | Scale: N/A |
| | | Tolerance: (Unless noted) N/A | Rev Ltr: B |
| | | | Sheet: 2 of 3 |


3 METER PARAFLYTE DIVING TOWER (LADDER @ SIDE) FLANGED PEDESTAL ASSEMBLY INSTRUCTIONS:

General Notes: Your 3 Meter Paraflyte diving tower has been shipped with some parts (Side Frames, Rear Frame) pre-assembled at our factory. Prior to beginning, please inspect all pieces and boxes to ensure that parts were not damaged in transit. If damage is detected, notify your distributor/freight carrier immediately as a freight claim **must** be filed within a certain time frame from receipt of goods. Take a moment to review the front pages of this assembly drawing to familiarize yourself with the tower components and to verify all parts have been received. You'll notice that certain pieces are unique and will be depicted as left or right hand side (as viewed facing the pool from behind the tower). By reviewing the data sheets and by insuring that the open end of the T-connectors are facing each other, you can identify the left and right sides.

Assembly Instructions:

1. Bolt the pedestal (ref. #9) to the pedestal anchor (ref. #10) with the (8) 3/4" x 2" hex head bolts and 3/4" lockwashers. Check pedestal cap for level and alignment, and tighten bolts securely. - Note: Assembly and erection of the tower should be done in sequence and all bolted connections should be hand tight until directed otherwise.
2. The legs of the assembled rear frame (ref #5) usually have to be trimmed so that the side frames will be level after erection. Take a vertical measurement from the top of the pedestal to the top of the rear anchor deluxe body (ref. #11). Deduct that measured amount from 110 3/8". The difference is the amount to be trimmed from the bottom of each leg. Trim the legs accordingly.
3. Slip the clamp flange portion of the rear anchor deluxe over the legs of the rear frame assembly. Insert the legs into the rear anchors with the open T-connectors and frame nuts facing the pool. Prop into an upright position.
4. Attach a pedestal cross bar (ref. #8 - 28" long with four parallel holes) to the forward, open connector on the bottom rail of the "Right Side" frame (ref. #2R). Remove the middle, open connector from the "Right Side" frame. Attach the other pedestal cross bar to the middle open connector on the bottom rail of the "Left Side" frame (ref. #2L). Remove the forward open connector from the "Left Side" frame.
5. Raise the "Right Side" frame into position until the pedestal support bar rests on the pedestal cap. Attach the rear of the bottom, horizontal rail to the open connector on the rear frame. Using the superstructure to pedestal mounting hardware (ref. #20), secure the raised side frame assembly to the pedestal. (Note - the pedestal support bars are 27" on center. They will engage the inner pair of slotted holes on the pedestal cap.)
6. Raise the "Left Side" frame into position and attach similar to the procedure described above for the "Right Side" frame. (Note - three horizontal rails will be attached to the rear frame.)
7. Using the split connectors that were removed from the side frames in step 4, attach the open end of the pedestal support bars to the frame.
8. Attach the base bar assembly (ref. #7) with split Tee assemblies (ref. #19) The projecting portions of the swivels should face forward, for all diving boards except Duraflex and Maxiflex. For these two boards the base bar assembly should be attached with the projecting portions facing rearwards.
9. Lay the left and right ladder risers (ref. #3) on the ground. (Note - clamp flanges should be pre-installed at factory) Attach the (9) 19" sloping ABS steps (ref. #15) to the ladder risers, so that they will be level when the ladder is attached to the tower. Attach the single "transition step" (ref. #16) to the rear legs (ref #5) and guard rail-ladder side (ref. #1R). Use the curved head bolts and install washers under the nut (provided with steps). Secure tightly. **Caution - Do not over tighten the nuts as this may damage the steps.**
10. Raise the riser assembly into the ladder opening and attach (hand tighten) with clamp Tee assemblies (ref. #18).
11. The bottom end of the ladder should be located on the deck as per the data sheet (page 1). It should be square to the superstructure and the steps should be level. (Note - It is imperative that the steps remain level) Drop both flanges to the deck and attach to the deck using lags and shields (provided by others).
12. The rear legs (ref. #5) must be drilled in order to attach the flanges. Connect the flange to the rear anchor body using (4) 3/8" x 5/8" hex head bolts. Drill through the flange and rear legs with a 13/32" drill bit. (Note - drilling through stainless steel requires a slow speed drill and constant feed pressure.) Bolt the flange to the rear legs with (1) 3/8" x 3" hex head bolt and cap nut.
13. All connections, which were hand tight, should now be securely tightened by wrench.
14. Attach one gear holder (ref. #10) to the "Left Side" frame. Use (3) 3/8" x 2 1/2" hex head bolts. Set the other gear holder on the "Right Side" frame, without attaching it.
15. Set the axle assembly in position on both straight gears. (Caution - be sure the axle assembly is square to the straight gears). Then attach the gear holder to the "Right Side" frame.
16. Set the hand wheel over the end of the axle and attach it by means of the 5/16" drive pin.
17. Paint the primed pedestal.

CAUTION - All bolts should be checked regularly and tightened when necessary.
Supersedes Assembly Instructions dated 2/10/97

| | | | | |
|--|--|--------------------------------------|--|---------------------------------|
|  <p>PARAGON AQUATICS Pentair Water Commercial Pool & Aquatics</p> | 1351 Route 55 LaGrangeville, New York 12540 Phone: 845-463-7200 Fax: 845-463-7291 www.paragonaquatics.com | Dwn by: RV Date: 1/14/11 | Title: 3 Meter Paraflyte Diving Tower, Ladder At Side, Flanged Pedestal Assembly Drawing | Material: See Notes/Schedule |
| | App by: JMM Date: 1/14/11 | Drawing Number: AI-DT10.17 | Tolerance: (Unless noted) N/A | Scale: N/A |