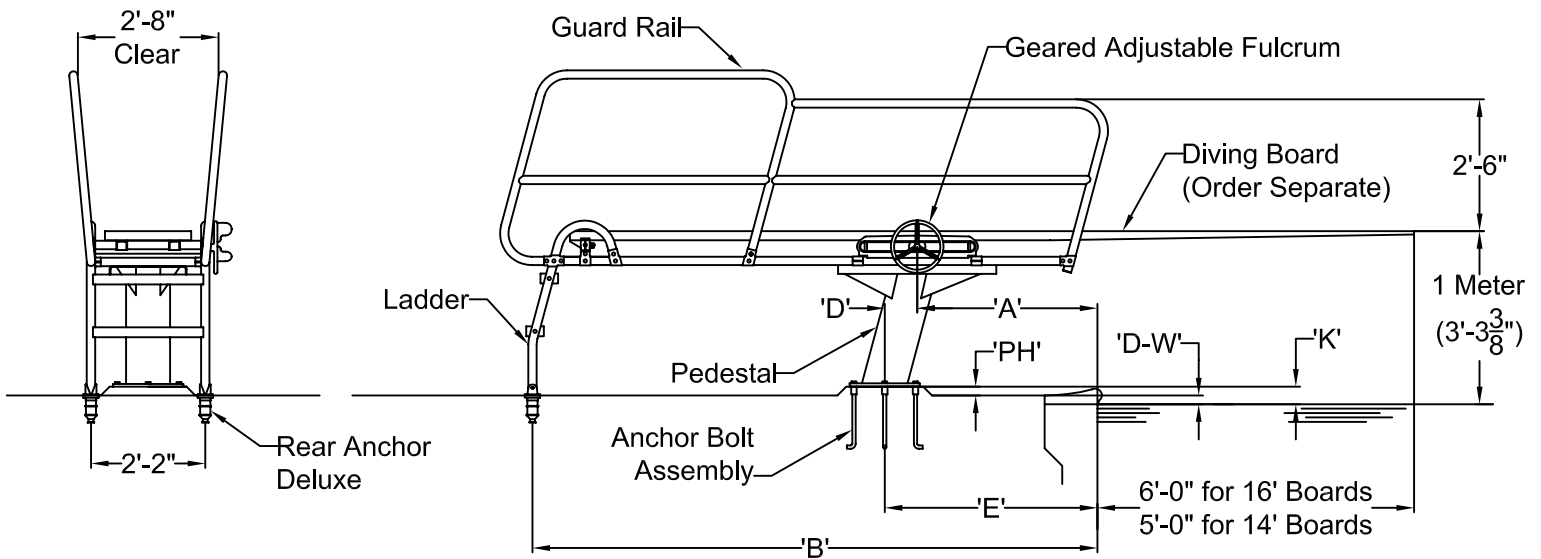


# Assembly Instructions One Meter Paraflyte Diving Tower (Ladder at Rear with Flanged Pedestal)



Dear Valued Customer,

Thank you for your recent purchase of our 1 Meter Paraflyte diving tower with ladder at rear. The following instructions will assist you in the assembly of your tower. Page one of this document provides a side and rear view of how your tower will look when assembled and also gives anchor locations. Page two is an isometric 3-dimensional drawing which will aid in parts identification as well as parts locations. Page three provides step by step written instructions on how to assemble the tower. We trust that you will enjoy much satisfaction with the equipment you have purchased, and thank you for choosing Paragon deck equipment!

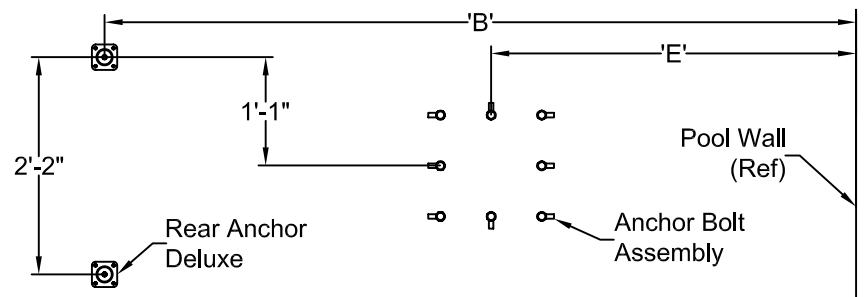
'K' DIMENSION	DECK TO WATER ('D-W')	PAD HEIGHT ('PH')	PEDESTAL HEIGHT	'D' DIMENSION
4"	0"	4"	27 5/8"	7 3/8"
4"	1"	3"	27 5/8"	7 3/8"
4"	2"	2"	27 5/8"	7 3/8"
4"	3"	1"	27 5/8"	7 3/8"
4"	4"	0"	27 5/8"	7 3/8"
8"	5"	3"	23 5/8"	6 3/8"
8"	6"	2"	23 5/8"	6 3/8"
8"	7"	1"	23 5/8"	6 3/8"
8"	8"	0"	23 5/8"	6 3/8"
12"	9"	3"	19 5/8"	5 1/4"
12"	10"	2"	19 5/8"	5 1/4"
12"	11"	1"	19 5/8"	5 1/4"
12"	12"	0"	19 5/8"	5 1/4"
>12"	Custom - Call for Details			

Notes:

'K' Dimension = Top of pad to water line ('PH' + 'D-W')

'D' Dimension = Center line of top of pedestal to center line of bottom of pedestal (horizontal distance)

BOARD TYPE	'B' DIMENSION	'A' DIMENSION	Notes:
16' MAXIFLEX	10'-8 1/2"	45"	'B' Dimension = Pool wall to center line of rear anchor deluxe
16' DURAFLEX	10'-8 1/2"	41"	
16' CENTURY	10'-10 1/2"	30"	'A' Dimension = Pool wall to center line of top of pedestal
16' PARAFLEX	10'-9 3/8"	30"	
14' DURAFLEX	9'-8 1/2"	45"	'E' Dimension = 'A' + 'D'
14' CENTURY	9'-10 1/2"	30"	
14' PARAFLEX	9'-9 3/8"	30"	



ANCHOR PLAN VIEW

Supersedes Assembly Instructions Dated 4/95.



1351 Route 55  
LaGrangeville, New York  
12540  
Phone: 845-463-7200  
Fax: 845-463-7291  
www.paragonaquatics.com

Dwn by: Date:  
RV 1/14/11

App by: Date:  
JMM 1/14/11

Title:  
**1 Meter Paraflyte Diving Tower, Ladder At Rear, Flanged Pedestal Assembly Drawing**

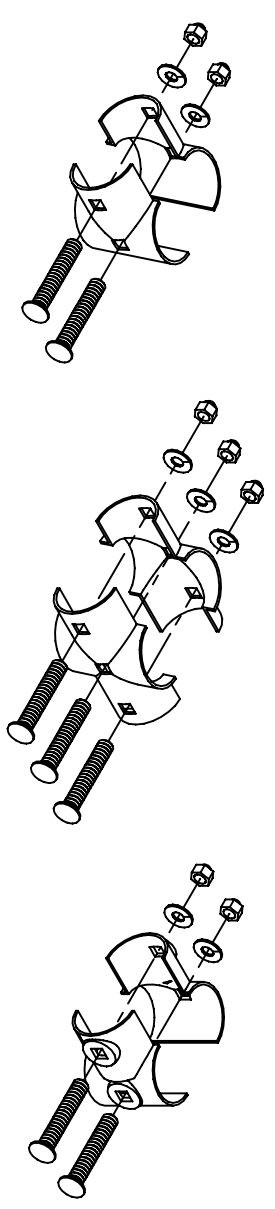
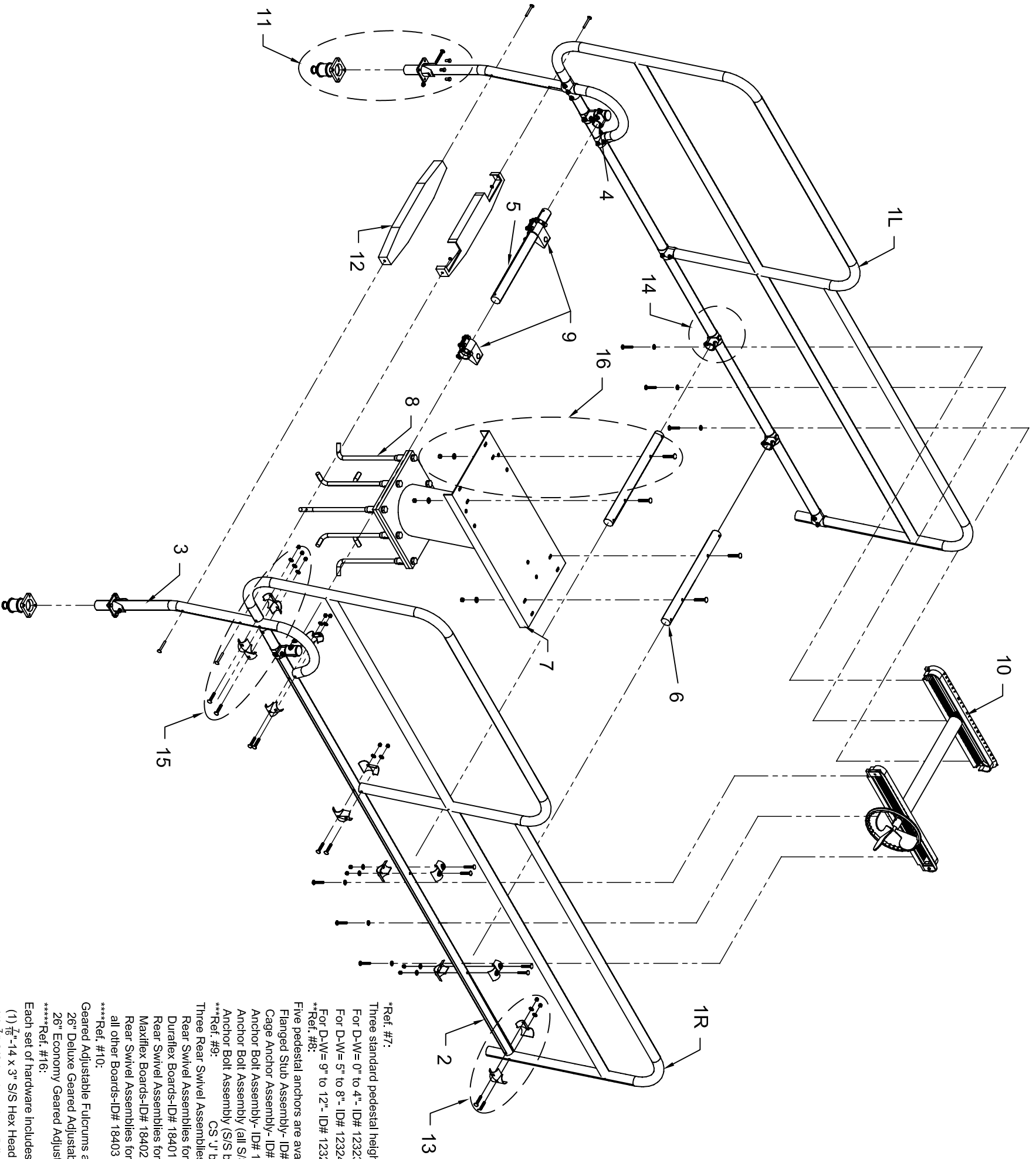
Drawing Number:  
**AI-DT10.09**

Tolerance:  
(Unless noted)  
N/A

Scale:  
N/A

Material:  
See Notes/Schedule

Rev Ltr: Sheet:  
B 1 of 3



Note: Some tee assemblies (Ref. #s 13-15) may be pre-assembled mechanically and/or welded to superstructure at factory.

Angle Tee Assembly (Ref. #13)      Cross Tee Assembly (Ref. #14)      Split Tee Assembly (Ref. #15)

\*Ref. #7:  
Three standard pedestal heights are available:  
For D-W= 0" to 4" - ID# 12323, 27<sup>5</sup>/<sub>8</sub>" high pedestal  
For D-W= 5" to 8" - ID# 12324, 23<sup>5</sup>/<sub>8</sub>" high pedestal  
For D-W= 9" to 12" - ID# 12325, 19<sup>5</sup>/<sub>8</sub>" high pedestal

\*\*Ref. #9:  
Five pedestal anchors are available:  
Flanged Stub Assembly- ID# 12301  
Cage Anchor Assembly- ID# 12304  
Anchor Bolt Assembly- ID# 12307  
Anchor Bolt Assembly (all S/S)- ID# 12308  
Anchor Bolt Assembly (S/S bushings & HW w/ CS 'U' bolts)- ID# 12309

\*\*\*Ref. #9:  
Three Rear Swivel Assemblies are available:  
Rear Swivel Assemblies for use with Duralflex Boards-ID# 18401  
Rear Swivel Assemblies for use with Maxiflex Boards-ID# 18402  
Rear Swivel Assemblies for use with all other Boards-ID# 18403

\*\*\*\*Ref. #10:  
Geared Adjustable Fulcrums available:  
26" Deluxe Geared Adjustable Fulcrum-ID# 24101  
26" Economy Geared Adjustable Fulcrum-ID# 24106

\*\*\*\*\*Ref. #16:  
Each set of hardware includes:  
(1) 7/8"-14 x 3" S/S Hex Head Bolt, ID# 94604  
(1) 1/8" S/S Lockwasher, ID# 94660  
(1) 1/8"-14 S/S Hex Nut, ID# 94650

Suffix X= U: Ultraflyte (.145) / S: Superflyte (.109) / T: Topflyte (.065)  
(Specify Board Type and length when ordering REF #2)

REF #	DESCRIPTION	QTY	PART #
1L	Guard Rail Side Frame- Left hand side	1	13006LX
1R	Guard Rail Side Frame- Right hand side	1	13006RX
2	Fulcrum Support Bar	2	13011
3	Ladder Riser	2	13002X
4	Rear Swivel Back Support Bar, Support Stub	2	13007
5	Rear Swivel Back Support Bar	1	13001
6	Pedestal Cross Bar	2	13004
7	Pedestal	1	*
8	Pedestal Anchor	1	**
9	Rear Swivel Assembly (with sliding collars)	1	***
10	Gear Adjustable Fulcrum	1	****
11	Rear Anchor Deluxe	2	28201
12	26" ABS Sloping Step (with hardware)	2	44109
13	Angle Tee Assembly (with hardware)	6	12507
14	Split Tee Assembly (with hardware)	8	12501
15	Cross Angle Tee Assembly (with hardware)	2	12505
16	Superstructure to Pedestal Mounting Hardware	4 sets	*****

This data represents the latest knowledge available to us at time of presentation. However Paragon Aquatics and others involved in gathering and presenting this drawing assume no liability for its use.



**PARAGON**  
**AQUATICS**  
Commercial Pool & Aquatics

1351 Route 55  
LaGrangeville, New York  
12540  
Phone: 845-463-7200  
Fax: 845-463-7291  
www.paragonaquatics.com

Dwn by:	Date:	Title:	Material:
RV	1/14/11	1 Meter Paraflyte Diving Tower, Ladder At Rear, Flanged Pedestal Assembly Drawing	See Notes/Schedule
App by:	Date:	Drawing Number:	Scale: Rev Ltr: Sheet:
JMM	1/14/11	AI-DT10.09	N/A B 2 of 3

# 1 METER PARAFLYTE DIVING TOWER (LADDER @ REAR) FLANGED PEDESTAL ASSEMBLY INSTRUCTIONS:


**General Notes:** Your 1 Meter Paraflyte diving tower has been shipped with some parts (Side Frames, Rear Frame) pre-assembled at our factory. Prior to beginning, please inspect all pieces and boxes to ensure that parts were not damaged in transit. If damage is detected, notify your distributor/freight carrier immediately as a freight claim **must** be filed within a certain time frame from receipt of goods. Take a moment to review the front pages of this assembly drawing to familiarize yourself with the tower components and to verify all parts have been received. You'll notice that certain pieces are unique and will be depicted as left or right hand side (as viewed facing the pool from behind the tower). By reviewing the data sheets and by insuring that the open end of the T-connectors are facing each other, you can identify the left and right sides.

## Assembly Instructions:

1. Bolt the pedestal (ref. #7) to the pedestal anchor (ref. #8) with the (8) 3/4" x 2" hex head bolts and 3/4" lockwashers. Check pedestal cap for level and alignment, and tighten bolts securely. - *Note: Assembly and erection of the tower should be done in sequence and all bolted connections should be hand tight until directed otherwise.*
2. The ladder risers (ref. #3) usually have to be trimmed so that the side frames will be level after erection. Take a vertical measurement from the top of the pedestal to the top of the rear anchor deluxe body (ref. #11). Deduct that measured amount from 31 5/8". The difference is the amount to be trimmed from the bottom of each leg. Trim the legs accordingly.
3. Attach a pedestal support bar (ref. #6 - 24" long with four parallel holes) to the forward, open connector on the bottom rail of the "Right Side" frame (ref. #1R). Remove the middle, open connector. Attach the other pedestal support bar (ref. #6) to the middle, open connector on the bottom rail of the "Left Side" frame (ref. #1L). Remove the forward, open connector.
4. Slip the clamp flange part of the rear anchor deluxe over the bottom of each ladder riser.
5. Raise the "Right Side" frame into position with the bottom of the ladder riser in the rear socket until the pedestal support bar rests on the pedestal cap. Using the superstructure to pedestal mounting hardware (ref. #16), secure the raised side frame assembly to the pedestal. (Note - the pedestal support bars are 27" on center. They will engage the inner pair of slotted holes on the pedestal cap.)
6. Raise the "Left Side" frame into position and attach similar to the procedures for the "Right Side" frame.
7. Using the split connectors that were removed from the side frames in step 3, reattach the pedestal support bars and frames.
8. Attach the base bar assembly (ref. #5 & #9) to the base bar support stubs (ref. #4) with split T-connectors (ref. #14). The projecting portions of the swivels should face forward, for all diving boards except Duraflex & Maxiflex. For these 2 boards, the base bar assembly is to be attached with the projecting portions facing rearwards.
9. Attach the (2) 26" sloping steps (ref. #12) to the ladder risers (ref. #3). Use the curved head bolts and install washers under the nuts (provided with step). Secure tightly. **Caution - Do not over tighten the nuts as this may damage the steps.** *Note - if the trimming of the ladder risers has caused the bottom step to be less than 3" from the deck, the bottom step may be omitted.*
10. The ladder risers (ref. #3) must be drilled for the attachment of the flanges. Attach the flange to the rear anchor body with four 3/8" x 5/8" hex head bolts. Drill through the flange and the ladder riser with a 13/32" drill bit. Bolt the flange to the ladder riser with one 3/8" x 3" hex head bolt and cap nut. *Note - Drilling through stainless steel with require a slow speed drill and constant feed pressure.*
11. All connections, which were hand tight, should now be securely tightened by wrench.
12. Attach one gear holder (ref. #10) to the "Left Side" frame. Use three 3/8" X 2 1/2" hex head bolts. Set the other gear holder on the "Right Side" frame, without attaching it.
13. Set the axle assembly in position on both straight gears. (Caution - be sure the axle assembly is square to the straight gears). Then attach the gear holder to the "Right Side" frame.
14. Set the hand wheel over the end of the axle and attach it by means of the 5/16" drive pin.
15. Paint the primed pedestal.

**CAUTION** - All bolts should be checked regularly and tightened when necessary.

Supersedes Assembly Instructions Dated 4/95.

 <b>PARAGON AQUATICS</b> Pentair Water Commercial Pool & Aquatics	1351 Route 55 LaGrangeville, New York 12540 Phone: 845-463-7200 Fax: 845-463-7291 www.paragonaquatics.com	Dwn by: Date: RV 1/14/11	Title: <b>1 Meter Paraflyte Diving Tower, Ladder At          Rear, Flanged Pedestal Assembly Drawing</b>			Material: See Notes/Schedule	
	App by: Date: JMM 1/14/11	Drawing Number: <b>AI-DT10.09</b>	Tolerance: (Unless noted) N/A	Scale: N/A	Rev Ltr: B	Sheet: 3 of 3	