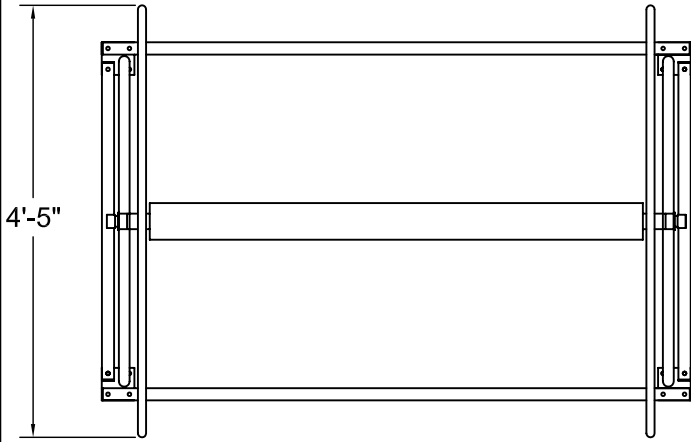
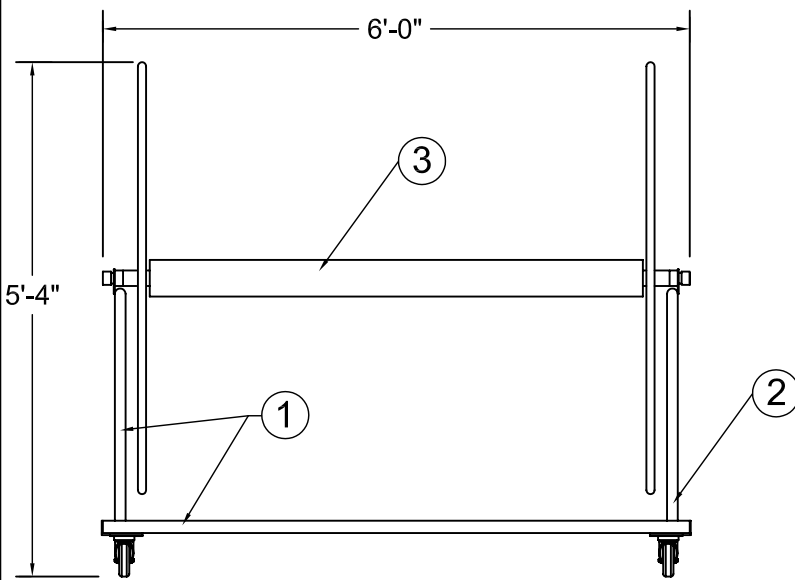
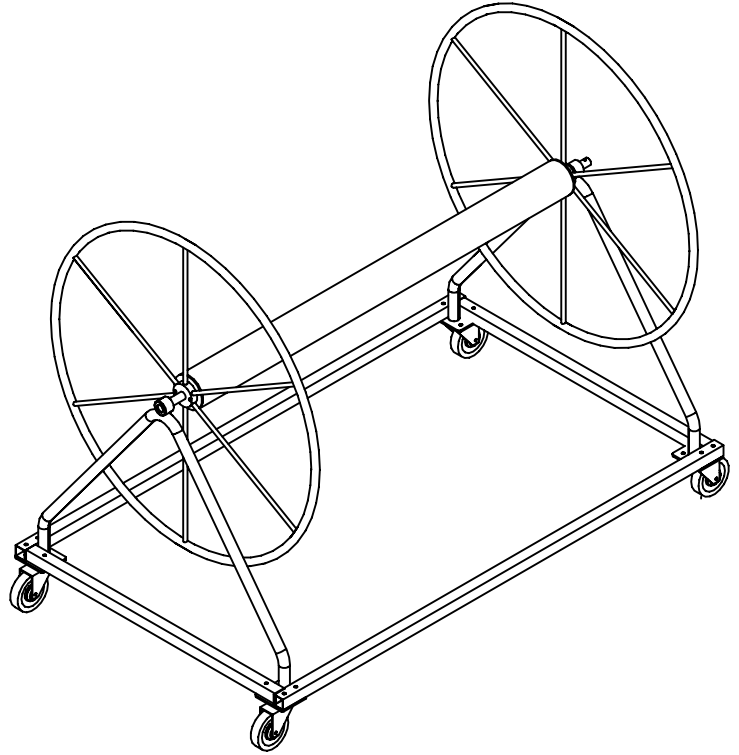


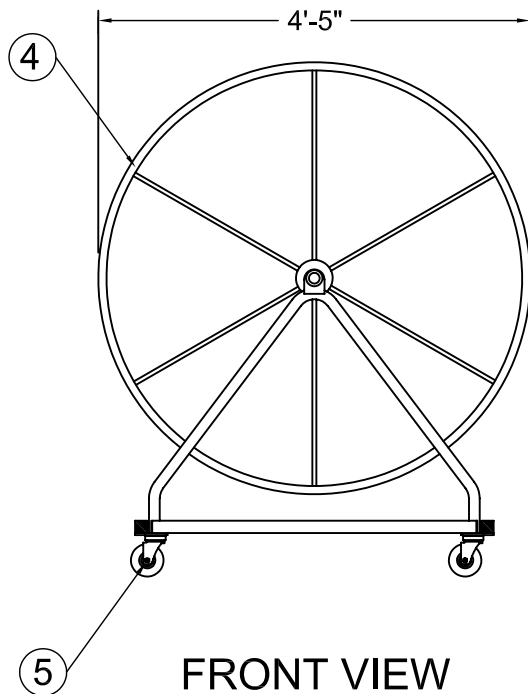
Large Capacity Lane Storage Reel



PLAN VIEW



SIDE VIEW



FRONT VIEW

The data represents the latest knowledge available to us at time of presentation. However, Paragon Aquatics and others involved in gathering and presenting this drawing assume no liability for its use.

© 2008 Paragon Aquatics



**PARAGON
AQUATICS**

Pentair Water
Commercial Pool & Aquatics

1351 Route 55
LaGrangeville, New York
12540
Phone: 845-463-7200
Fax: 845-463-7291
www.paragonaquatics.com

Drawn by: JMM	Date: 6/27/08	Approved by: SF	Date: 6/27/08
Sheet Title: Large Capacity Lane Storage Reel			
Drawing Number: SS-PA40.02	Revision Letter: B	Sheet: 1 of 2	

Large Capacity Lane Storage Reel

Part Number: **75111**
75111SS (with stainless steel casters)

Specifications

- ① Base supports shall be 1 1/2" square tube, and side frames shall be 1" schedule 5 pipe grade T304 stainless steel polished to a 320 grit satin finish.
- ② The side frames will be fusion welded and cleaned. They shall be mounted on four nickel plated Double Lock casters. The base supports will be fastened to the side frames by means of stainless steel hardware.
- ③ The main axle shall be 4" stainless steel pipe fusion welded to a 1" stainless steel shaft. The main axle will ride on poly bearings enclosed in a stainless steel housing.
- ④ The two captain's wheels shall be 1" tube 16 gauge with welded 1/2" rods in grade T304 stainless steel. Stainless steel machine bolts will secure the captain's wheel to the shaft.
- ⑤ Casters shall be provided for ease of movement. Casters shall swivel 360° and shall have lockable wheel brakes.
- ⑥ Storage reel shall be capable of holding 720' (220M) of 4" diameter lanes or 400' (122M) of 6" diameter lanes.

General

The stainless steel frame shall be electro-chemically passivated on all worked areas for maximum corrosion resistance. All hardware shall be 18-8 stainless steel. Custom designs and modifications are available upon request.

Accessories

ID Number	Description
75133	Lane Storage Reel Cover

The data represents the latest knowledge available to us at time of presentation. However, Paragon Aquatics and others involved in gathering and presenting this drawing assume no liability for its use.

© 2008 Paragon Aquatics



**PARAGON
AQUATICS**
Pentair Water
Commercial Pool & Aquatics

1351 Route 55
LaGrangeville, New York
12540
Phone: 845-463-7200
Fax: 845-463-7291
www.paragonaquatics.com

Drawn by: JMM	Date: 6/27/08	Approved by: SF	Date: 6/27/08
Sheet Title:	Large Capacity Lane Storage Reel		
Drawing Number: SS-PA40.02	Revision Letter: B	Sheet: 2 of 2	