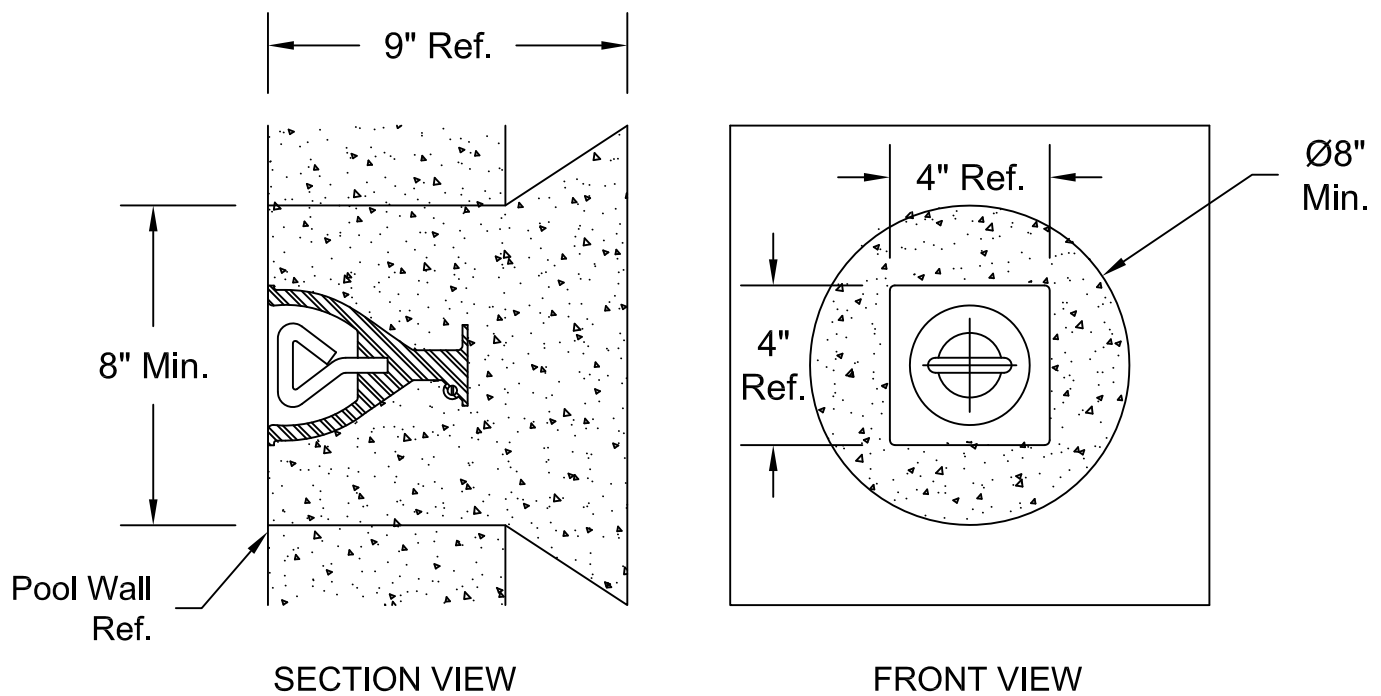


# Cup Anchor with Triangular Eye Bolt

## Setting Procedure for EXISTING POOL WALLS

1. Locate approximately where the cup anchors are to be installed.
2. Cut a hole in the pool wall at these locations measuring approximately 8" minimum round x 9" deep. Undercut the sides of the lower half of the hole slightly (see SECTION VIEW).
3. Properly bond/ground the cup anchor using the grounding screw provided on each cup anchor.
4. Using props, position the cup anchor so that it is level and flush with the final pool wall.
5. Fill the holes with the proper concrete mix or epoxy anchoring resin.



The data represents the latest knowledge available to us at time of presentation. However, Paragon Aquatics and others involved in gathering and presenting this drawing assume no liability for its use.

© 2009 Paragon Aquatics



**PARAGON  
AQUATICS**  
Pentair Water

1351 Route 55  
LaGrangeville, New York  
12540  
Phone: (845) 452-5500  
Fax: (845) 452-5426  
www.paragonaquatics.com

Drawn by: <b>SF</b>	Date: <b>2/13/09</b>	Approved by: <b>JMM</b>	Date: <b>2/13/09</b>
Sheet Title: <b>Cup Anchor w/Triangular Eye Bolt Installation Instructions</b>			
Drawing Number: <b>II-70136SE</b>	Revision Letter:	Sheet: <b>1 of 1</b>	