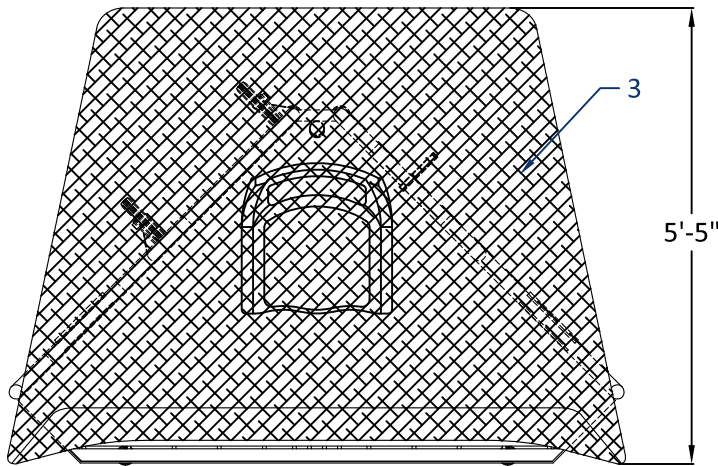
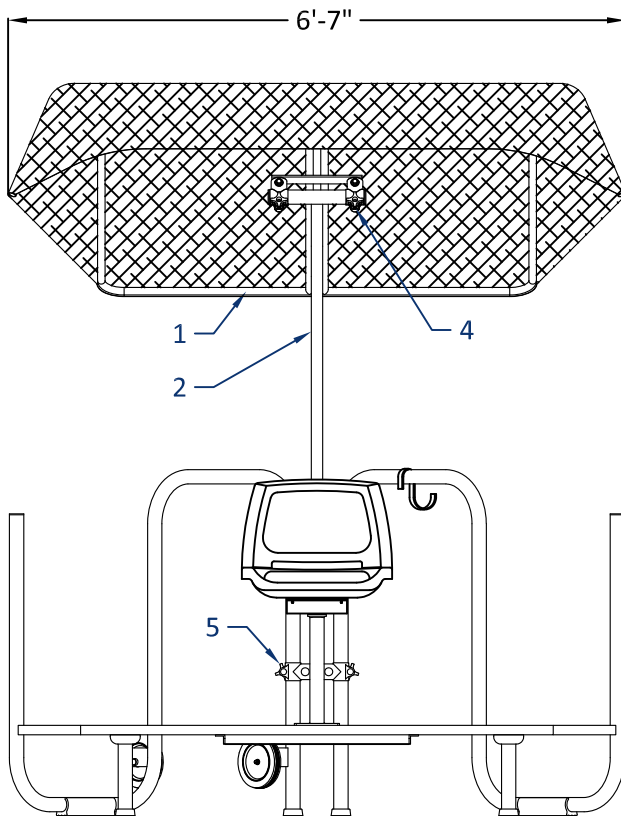
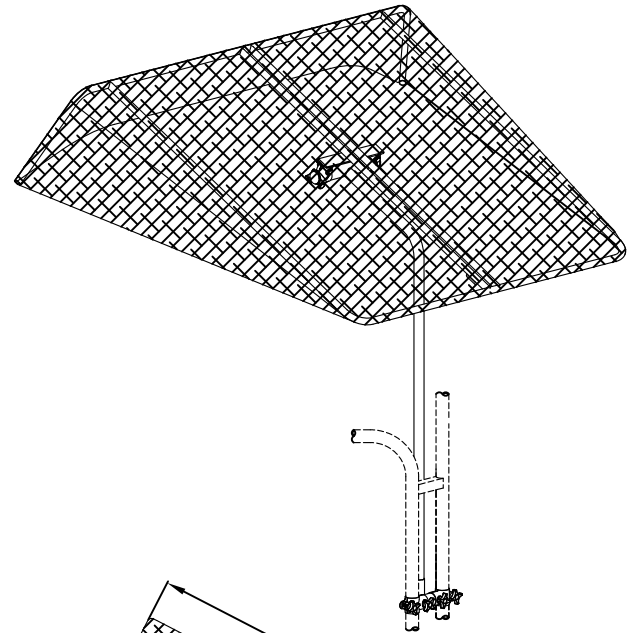
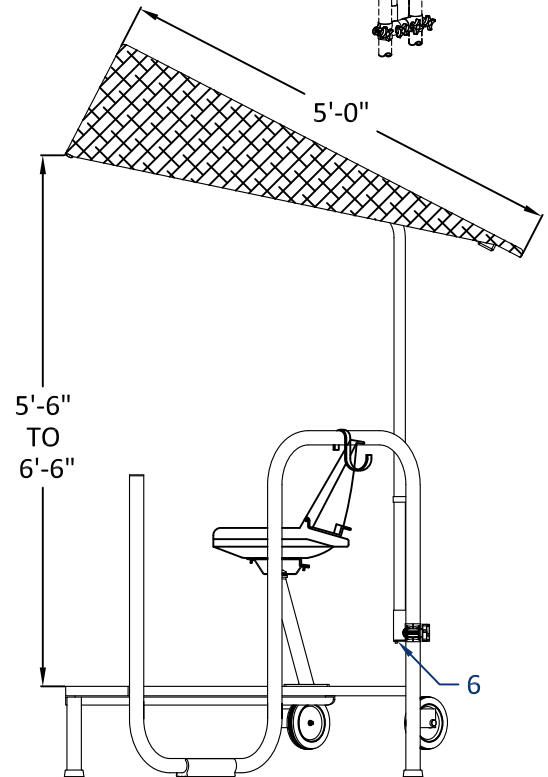


PARAGON[®]
 DECK EQUIPMENT

GRIFF'S SUN SHADE - VISION SERIES

PLAN VIEW

FRONT VIEW

SIDE VIEW

PARAGON®
DECK EQUIPMENT**GRIFF'S SUN SHADE - VISION SERIES****PART NUMBER** 20345**SPECIFICATIONS**

- 1** The Griff's Sun Shade canopy shall be mounted to a 1.00" OD x .065" wall thickness frame. The frame shall be Type 304 stainless steel pursuant to ASTM A-554 certification and polished to a 320 grit finish. The frame shall mount to the pivot arm.
- 2** The pivot arm shall be manufactured pursuant to ASTM A-554 certified 1.50" x .120" wall thickness Type 304 stainless steel polished to a 320 grit finish. The pivot arm shall mount through the rear cross brace/umbrella ring guide and seat in the cross brace/base holder.
- 3** The canopy shall have a high density polyethylene UV inhibited covering that attaches to the frame using front and rear fitted pockets and a single retaining strap.
- 4** Two hand-tightened polypropylene knobs shall adjust the front and back tilt of the shade in an infinite number of positions.
- 5** Four hand-tightened polypropylene knobs shall attach the cross brace/base holder to the Griff's Vision Guard Station. The base holder shall have the ability to clamp to the superstructure at various vertical locations to adjust the height of the canopy.
- 6** The base of the pivot arm shall have a locator pin which engages one of three locator holes at the bottom of the base holder. The locator holes shall allow the canopy to be positioned in a left-center, center, or right-center orientation.

GENERAL

The stainless steel frame shall be electro-chemically passivated on all worked areas for maximum corrosion resistance. All bends shall be smooth and wrinkle free. All hardware shall be 18-8 stainless steel. Custom designs and modifications are available upon request.

ACCESSORIES

20398 Replacement canopy (Specify color)



WARNING: During a wind advisory, the canopy should be removed from the frame to prevent injury to the station user and surrounding persons.