

**GRIFF'S GUARD STATION® - FULL HEIGHT MODEL ASSEMBLY INSTRUCTIONS:**

**General Notes:** Your Griff's Guard Station® - Full Height Model has been shipped with some parts pre-assembled at our factory. Prior to beginning, please inspect all pieces and boxes to ensure that parts were not damaged in transit. If damage is detected, notify your distributor/freight carrier immediately as a freight claim **must** be filed within a certain time frame from receipt of goods. Take a moment to review the front pages of these assembly drawings to familiarize yourself with the tower components and to verify all parts have been received. You'll notice that certain pieces are unique and will be depicted as left or right hand side (as viewed facing the pool from behind the chair).


**Assembly Instructions:**

**Note:** It is recommended that all nuts and bolts be left hand tight until entire assembly is complete, unless otherwise instructed. It is recommended that two people assemble this chair due to the the size and weight of some of the parts. Please refer to parts drawings on page 2 for parts layout.

1. Attach the front posts (ref. #2) to the front stair riser assemblies (ref. #6) using (2) split tee assemblies each (refer to detail on page 2).
2. Attach the side cross braces (ref. #5) and side seat support bars (ref. #4) to front posts using (2) split tee assemblies each.
3. Slide the umbrella ring guide (ref. #15) onto one of the top side cross braces. Secure onto cross brace with 5/16" set screw (ref. #26). Install thumb screw (ref. #25) into threaded hole of smaller diameter hoop.
4. Attach the rear legs (ref. #1 and 1A) to the side cross brace members using (2) split tee assemblies each. Please note the direction of the welded tabs as shown on page 2.
5. Attach the side "L" braces (ref. #7) to the rear posts and side cross braces using (2) split tee assemblies each.
6. Lay one of the side frames on the ground with the fiberglass decking mounting tabs upward. Attach the top and bottom rear cross braces (ref. #3) to the side frame using (2) split tee assemblies. **Tighten the hardware on these split tees fully!**
7. Rotate the assembly so that the rear cross braces are now laying on the ground and the side frame is facing upwards. A second person should help support the assembly while in this position to prevent it from tipping. In lieu of a second person, the assembly can be secured to a wall or fence for support.
8. Attach the opposite side frame to the rear cross braces using (2) split tee assemblies. **Tighten the hardware on these split tees fully!**
9. Rotate the whole assembly to an upright position. Install the rubber sleeves (ref. #14) onto front riser portion of the chair, and rubber bumpers (ref. #13) onto rear posts of the chair.
10. Install seat back rest decking (ref. #11) onto tabs welded to the rear posts of the chair. Secure using (4) 3/8"-16 x 1 3/4" carriage bolts (ref. #21), 3/8" lock washers (ref. #19), and 3/8" cap nuts (ref. #18). Bolt should pass through the slots in the decking and holes in the tabs.
11. Install top seat frame (ref. #9) to the side seat support bars (ref. #4) using (4) 3/8"-16 x 2 1/2" carriage bolts (ref. #23), 3/8" lock washers (ref. #19), and 3/8" cap nuts (ref. #18). Cap nuts should be on the outside of the chair frame.
12. Secure seat decking (ref. #11) into seat frame using (2) 3/8"-16 x 1 3/4" carriage bolts (ref. #21), 3/8" lock washers (ref. #19), and 3/8" cap nuts (ref. #18). Bolt should pass through the slots in the decking and slotted holes in the frames.
13. Install main platform deck frame (ref. #8) on to front and rear posts using (4) 3/8"-16 x 2 1/2" carriage bolts (ref. #23), 3/8" lock washers (ref. #19), and 3/8" cap nuts (ref. #18). Cap nuts should be on the outside of the chair frame.
14. Secure main decking (ref. #10) into main deck frame using (2) 3/8"-16 x 1 3/4" carriage bolts (ref. #21), 3/8" lock washers (ref. #19), and 3/8" cap nuts (ref. #18) with footprints facing the front of the chair. Bolts should pass through the slots in the decking and slotted holes in the frames.
15. Install upper step frame (ref. #9) to front riser assembly (ref. #6) using (4) 3/8"-16 x 2 1/2" carriage bolts (ref. #23), 3/8" lock washers (ref. #19), and 3/8" cap nuts (ref. #18). Cap nuts should be on the outside of the chair frame.
16. Secure step decking (ref. #11) in to step frame using (2) 3/8"-16 x 1 3/4" carriage bolts (ref. #21), 3/8" lock washers (ref. #19), and 3/8" cap nuts (ref. #18). Bolt should pass through the slots in the decking and slotted holes in the frames.
17. Repeat step 15 and 16 for lower step (use decking with words "KEEP CLEAR" for the lower step).
18. Fully tighten all hardware at this time.
19. Place umbrella base holder (ref. # 16) on main platform decking directly underneath the umbrella ring guide already attached to side frame. The hole in the bottom of the holder should align with the space between the "T" bar of the fiberglass decking. Attach holder using 3/8" -16 X 3/4" hex head bolt (ref. # 22), 3/8" flat washer (ref. #20), 3/8" lock washer (ref. # 19), and 3/8" hex head nut (ref. # 24).
20. Attach rescue tube holder (ref. # 27) to left or right front side frame using 3/8" 16 X 2 3/4" carriage bolt (ref. # 17), 3/8" flat washer (ref. # 20), 3/8" lock washer (ref. # 19), and 3/8" cap nut (ref. # 18).

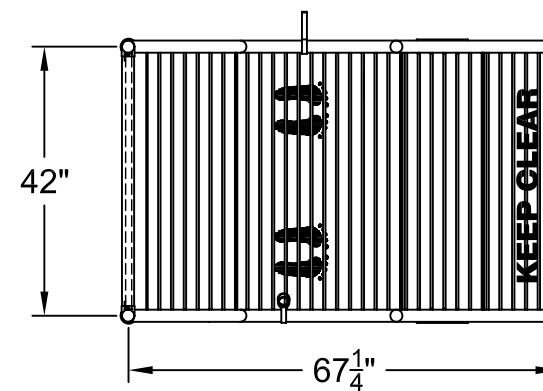
**Maintenance Notes:** In order to ensure that your new lifeguard chair looks good and performs good, Paragon recommends that all stainless steel parts be cleaned on a regular basis to prevent corrosion. Further, all parts, specifically plastic and fiberglass parts, should be inspected on a regular basis for wear. Any worn part should be replaced immediately. Please contact your local Paragon distributor for more information regarding recommended cleaning/maintenance programs, installation questions, or for replacement parts.

© 2009 Paragon Aquatics

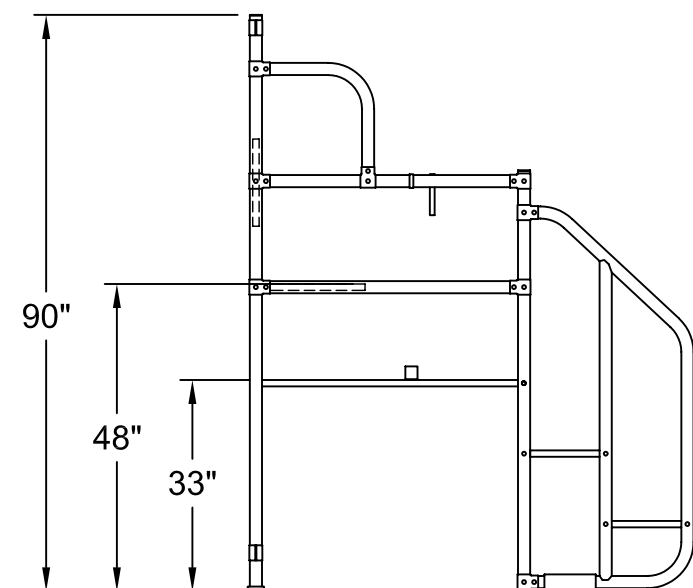
 <p><b>PARAGON AQUATICS</b> Pentair Water</p>	1351 Route 55 LaGrangeville, NY 12540 Phone: (845) 463-7200 Fax: (845) 463-7291		Dwn by: RV Date: 11/17/09	Title: <b>Griff's Guard Station® Full Height Model</b>	Material: See Notes/Schedule		
	App by: SF Date: 11/17/09	Drawing Number: <b>AI-LG40.27</b>	Tolerance: (Unless noted) N/A	Scale: N/A	Rev Ltr: A	Sheet: 3 of 3	

# Assembly Instructions

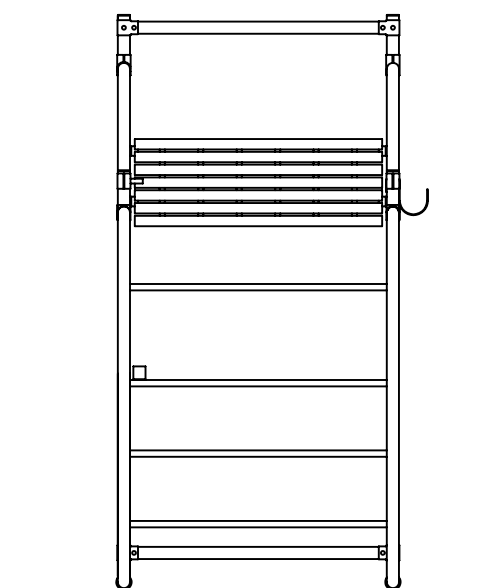
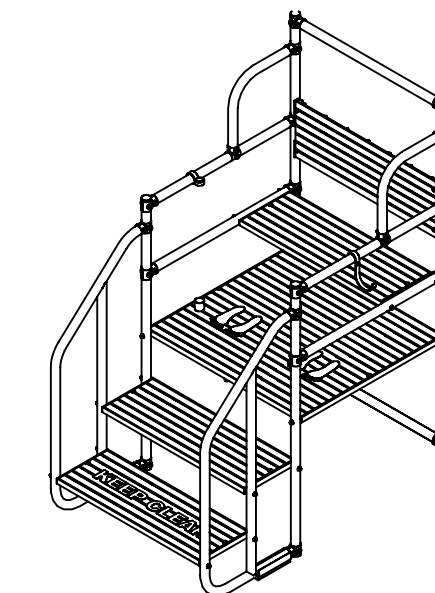
## Griff's Guard Station® - Full Height Model



Top View




Side View



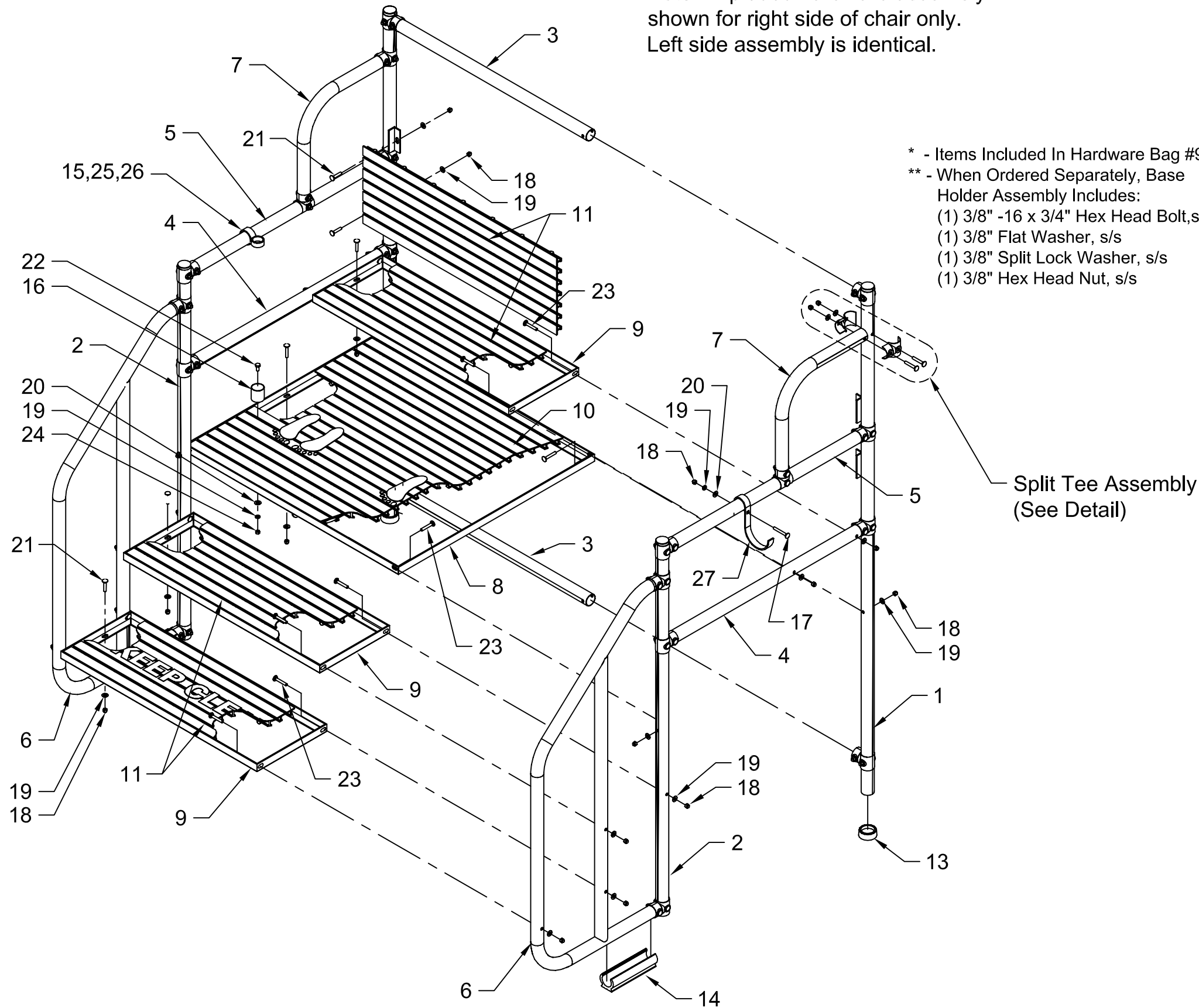
Front View

Dear Valued Customer,  
Thank you for your recent purchase of our Griff's Guard Station® - Full Height Model. The following instructions will assist you in the assembly of your chair. Page one of this document provides a top, side, and front view of how your chair will look when assembled and also gives approximate overall dimensions. Page two is an isometric 3-dimensional drawing which will aid in parts identification as well as parts locations. Page three provides step by step written instructions on how to assemble the chair. We trust that you will enjoy much satisfaction with the equipment you have purchased, and thank you for choosing Paragon deck equipment!

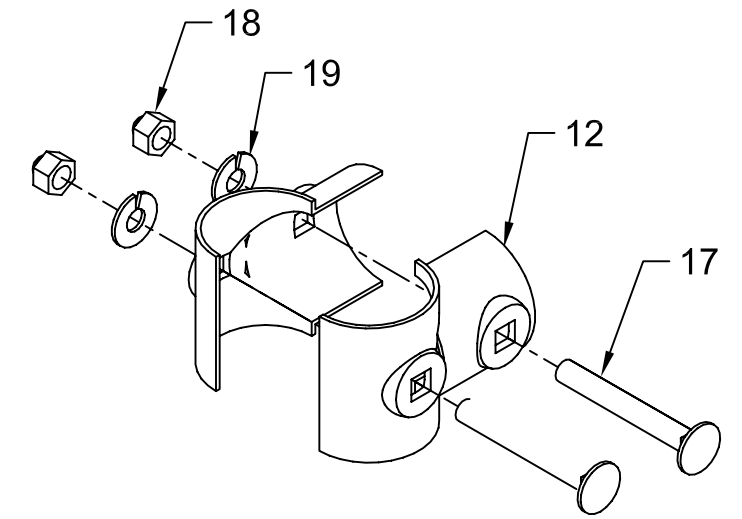
© 2009 Paragon Aquatics

 <p><b>PARAGON AQUATICS</b> Pentair Water</p>	1351 Route 55 LaGrangeville, NY 12540 Phone: (845) 463-7200 Fax: (845) 463-7291		Dwn by: RV Date: 11/17/09	Title: <b>Griff's Guard Station® Full Height Model</b>	Material: See Notes/Schedule		
	App by: SF Date: 11/17/09	Drawing Number: <b>AI-LG40.27</b>	Tolerance: (Unless noted) N/A	Scale: N/A	Rev Ltr: A	Sheet: 1 of 3	

Note: Exploded hardware assembly shown for right side of chair only. Left side assembly is identical.



- \* - Items Included In Hardware Bag #93987
- \*\* - When Ordered Separately, Base Holder Assembly Includes:
  - (1) 3/8" -16 x 3/4" Hex Head Bolt,s/s
  - (1) 3/8" Flat Washer, s/s
  - (1) 3/8" Split Lock Washer, s/s
  - (1) 3/8" Hex Head Nut, s/s



Split Tee Assembly

Split Tee Assembly  
(See Detail)

REF	DESCRIPTION	QTY	PART #
1	Left Rear Post	1	20390L
1A	Right Rear Post	1	20390R
2	Front Post	2	20391
3	Rear Cross Brace	2	20392
4	Side Seat Support Bar	2	20393
5	Side Cross Brace	2	20387-1
6	Front Stair Riser Assembly	2	20387-2
7	Side "L" Brace	2	20387-3
8	Main Deck Frame	1	20387-4
9	Step/Seat Frame (40" L)	3	20387-5
10	43" x 39 1/2" Fiberglass Decking	1	20353
11	13 5/8" x 39 1/2" Fiberglass Decking	4	20352
12	Split Tee Stamping	40	12502
13	Rubber Bumper	2	44201
14	9" Rubber Sleeve	2	20798
15	Umbrella Ring Guide	1	20712
16**	Umbrella Base Holder	1	20359
17*	3/8"-16 x 2 3/4" Carriage Bolt, s/s	41	94524
18*	3/8"-16 Cap nut, s/s	69	94554
19*	3/8" Split Lock Washer, s/s	70	94562
20*	3/8" Flat Washer, s/s	2	94564
21*	3/8"-16 x 1 3/4" Carriage Bolt, s/s	12	94511
22*	3/8"-16 x 3/4" Hex Bolt, s/s	1	94502
23*	3/8"-16 x 2 1/2" Carriage Bolt, s/s	16	94520
24*	3/8"-16 Hex Head Nut, s/s	1	94550
25*	5/16"-18 x 1" Thumb Screw, s/s	1	94418
26*	5/16"-18 x 3/8" Set Screw, s/s	1	94401
27	Rescue Tube Holder	1	20363
28	Umbrella Wind Warning Label (N/S)	1	20723
29	Griff's Training DVD (Not Shown) QTY: 1		
30	Shallow Water Blackout DVD (Not Shown) QTY:1		

This data represents the latest knowledge available to us at time of presentation. However Paragon Aquatics and others involved in gathering and presenting this drawing assume no liability for its use.

© 2009 Paragon Aquatics



**PARAGON  
AQUATICS**  
Pentair Water

1351 Route 55  
LaGrangeville, NY 12540  
Phone: (845) 463-7200  
Fax: (845) 463-7291

Dwn by:	Date:	Title:	Material:			
RV	11/17/09	<b>Griff's Guard Station® Full Height Model</b>	See Notes/Schedule			
App by:	Date:	Drawing Number:	Tolerance: (Unless noted)	Scale:	Rev Ltr:	Sheet:
SF	11/17/09	AI-LG40.27	N/A	N/A	B	2 of 3