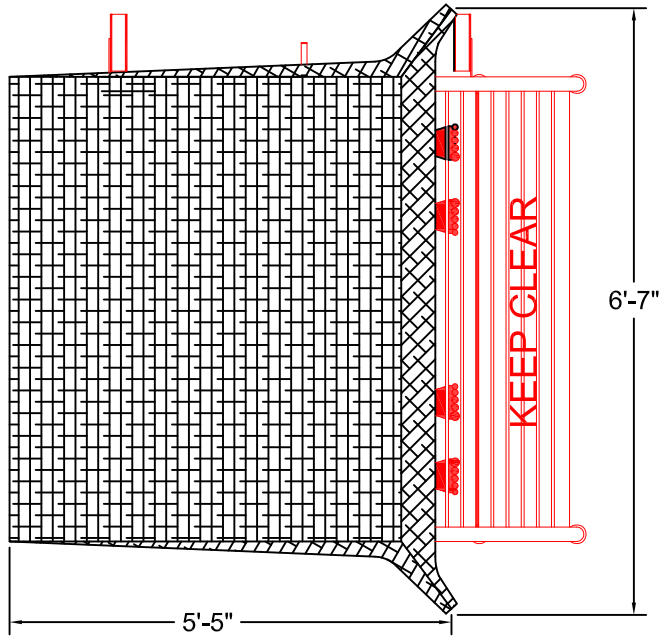
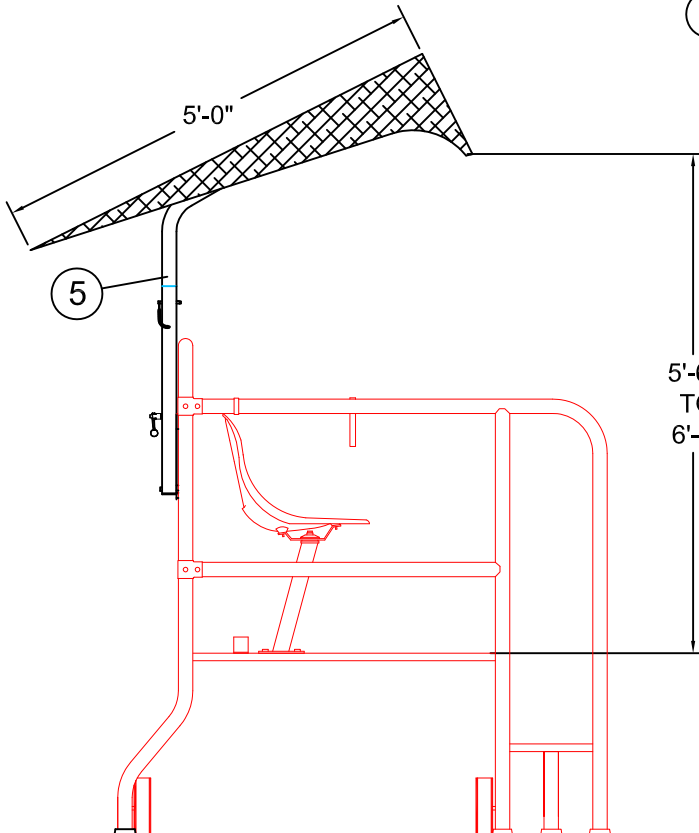
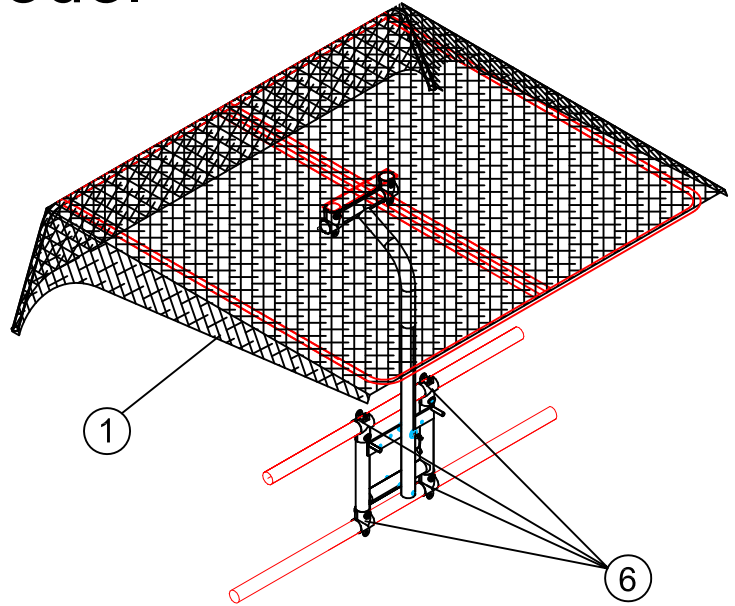


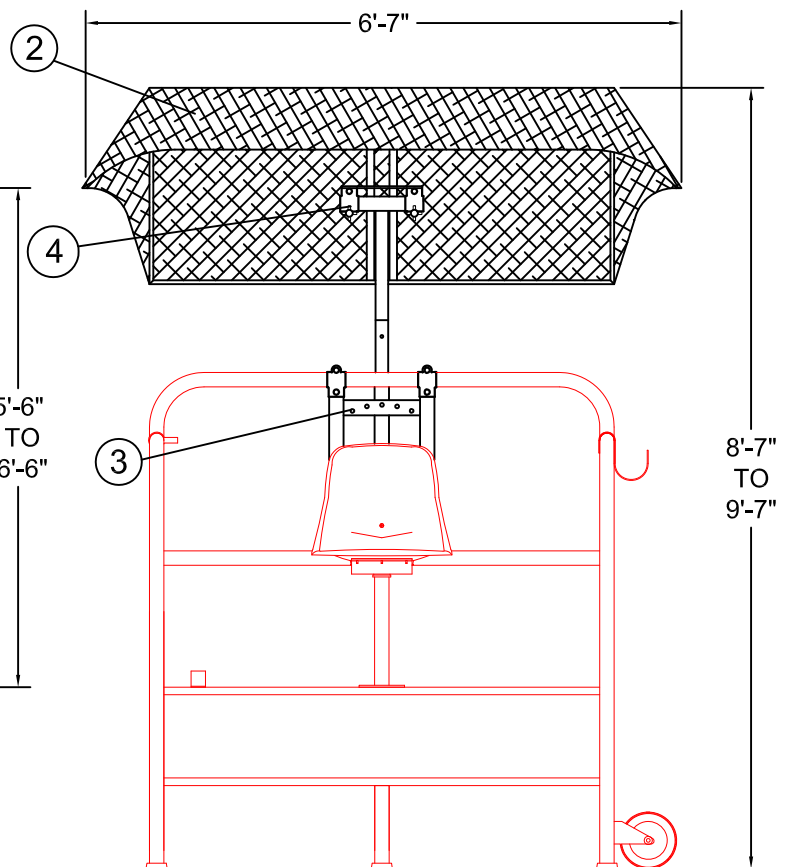
Griff's Guard Station[®] Sun Shade for Flat Model



PLAN VIEW



SIDE VIEW



FRONT VIEW

The data represents the latest knowledge available to us at time of presentation. However, Paragon Aquatics and others involved in gathering and presenting this drawing assume no liability for its use.



**PARAGON
AQUATICS**
Pentair Water
Commercial Pool & Aquatics

1351 Route 55
LaGrangeville, New York
12540
Phone: 845-463-7200
Fax: 845-463-7291
www.paragonaquatics.com

Drawn by: **JMM** Date: **6/27/08** Approved by: **SF** Date: **6/27/08**

Sheet Title: **G.G.S. Sun Shade for Flat Model**

Drawing Number: **SS-LG40.26-1** Revision Letter: **A** Sheet: **1 of 2**

Griff's Guard Station[®] Sun Shade for Flat Model

Part Number: **20395**

Specifications

- ① The Griff's Guard Station[®] Sun Shade canopy shall be mounted to a 1.00" O.D. x .065" wall thickness frame. The frame will be supported by a pivot arm made of 1.90" O.D. x .109" wall thickness. The frame and pivot points shall be T304 stainless steel polished to a 320 grit finish.
- ② The canopy shall have a high density polyethylene UV inhibited covering that attaches to the frame using front and rear fitted pockets and a single retaining strap.
- ③ The pivot arm shall be adjustable side to side using a ball lock pin which positively locks the shade into one of the five set positions. Stops shall prevent the shade from moving past the extreme adjustment points.
- ④ Two hand tightened polypropylene knobs shall adjust the front to back tilt of the shade in an infinite number of positions.
- ⑤ There shall be a 12" height adjustment. The height adjustment has four set positions in 3" increments.
- ⑥ The pivot arm and frame shall attach to the guard station using stainless steel clamp tees (no drilling required).

General

The stainless steel frame shall be electro-chemically passivated on all worked areas for maximum corrosion resistance. All hardware shall be 18-8 stainless steel. Custom designs and modifications are available upon request.

Accessories

20398	Replacement canopy (Specify Color)
20395A	Replacement superstructure



WARNING : During a wind advisory the canopy should be removed from the frame to prevent injury to the station user and surrounding persons.

The data represents the latest knowledge available to us at time of presentation. However, Paragon Aquatics and others involved in gathering and presenting this drawing assume no liability for its use.

© 2008 Paragon Aquatics



**PARAGON
AQUATICS**
Pentair Water
Commercial Pool & Aquatics

1351 Route 55
LaGrangeville, New York
12540
Phone: 845-463-7200
Fax: 845-463-7291
www.paragonaquatics.com

Drawn by: JMM	Date: 6/27/08	Approved by: SF	Date: 6/27/08
Sheet Title: G.G.S. Sun Shade for Flat Model			
Drawing Number: SS-LG40.26-1	Revision Letter: A	Sheet: 2 of 2	