

PARAGON® ALL TERRAIN GRIFF'S GUARD STATION® LIFEGUARD STATION

THE MOST VERSATILE LIFEGUARD CHAIR - EVER!

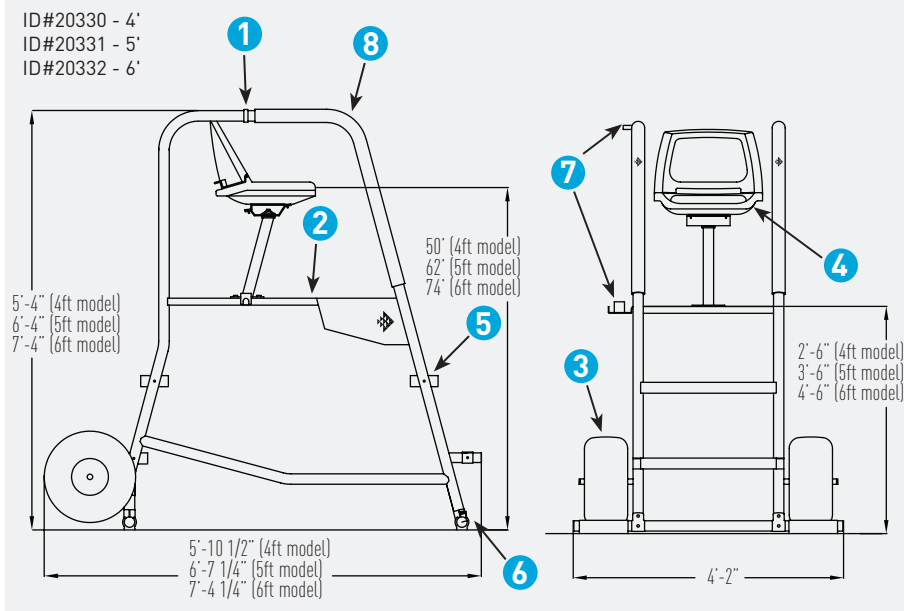
The All Terrain Griff's Guard Station® was developed for adaptability to any terrain, indoor or outdoor. This station was modeled from Tom Griffith's Five Minute Scanning Strategy with the focus on safety. The elevated platform offers lifeguards increased visibility and the dual access steps allow for a shift change without interrupting water coverage. The guard station is designed to tip and roll with ease to the next location.

STANDARD FEATURES

- The All Terrain Griff's Guard Station® was designed to work on most terrains. What used to only be available for poolside is now ready for a lakeside setting. It is available in 4' (ID No. 20330), 5' (ID No. 20331) and 6' (ID No. 20332) models. A powdercoat upgrade is available on all models (ID No. 23996). The guard stations can easily adapt indoors, outdoors, by the pool, at a waterpark or on the sand.
- Large pneumatic wheels are made to travel on most terrains. Wheels can be locked or are easily removable within seconds to helping to prevent vandalism.
- Front and rear access allows for uninterrupted coverage of the water by the lifeguard when there is a shift change. Griff's Guard Stations are designed to increase lifeguard effectiveness. Front steps are widely spaced for safer, front-facing exit facilitating quicker response to emergencies.
- Cushioned seat swivels for easy entry and can be folded down when not in use, to prevent UV damage to the vinyl. Closing the seat may also deter unauthorized use.
- Griff's Guard Stations are developed from the philosophy highlighted on the Tom Griffiths' Five Minute Scanning Strategy. The focus is on safety for the swimmers and lifeguards. The elevated viewing station increases visibility.
- Guard Station can be positioned near the water's edge, promoting movement with the tide.
- Station can be moved from the front or rear.
- Decking is a non-skid surface that is vented and lightweight with a wide front step, bringing the guard closer to the water's edge. Heavy duty construction assures long lasting, trouble-free service.



SPECIFICATIONS



1 The lifeguard station superstructure shall be manufactured pursuant to ASTM A-554 certified 1.90" x .065" wall thickness, type 304 stainless steel polished to a 320 grit finish. The platform decking support shall be made of 1-1/4" x 1-1/4" x 3/16" thick type 304 stainless steel angle, polished to a 320 grit finish.

2 The main platform decking shall be a resin coated fiberglass reinforced grating in a "T" bar construction. The top shall have a white, non-skid surface. The decking shall recess into a stainless steel support. The overall platform area shall measure 40-3/8" x 26-3/4" and be located 2'-6" (for 4ft), 3'-6" (for 5ft), or 4'-6" (for 6ft) above the pool deck.

3 The lifeguard station shall be provided with wheel axles that bolt onto the rear legs of the superstructure. 42cm (16-1/2") diameter inflatable polyurethane beach wheels shall be provided to allow for easy mobility across most terrains. The lifeguard chair may be used for indoor and outdoor applications.

4 A cushioned fold-down seat shall be provided. The seat shall be made of high-impact plastic and the cushions shall be made of urethane foam covered with marine-grade vinyl. The seat shall be mounted to a sloped, stainless steel support pedestal. The support pedestal shall allow the seat to be rotated a full 360°. The seat shall be located at a height of 4'-2" (for 4ft), 5'-2" (for 5ft), or 6'-2" (for 6ft) above the pool deck.

5 The mounting steps shall be made of white, UV stabilized, ABS plastic with an integral, 5" wide non-skid surface. The steps shall fit a 26" post spacing (center to center). Rear and front chair access shall be provided to facilitate lifeguard shift changes with uninterrupted coverage.

6 Rubber sleeves shall be provided on the base bars for additional support and to prevent damage to pool deck tile.

7 The lifeguard chair shall be provided with an umbrella ring guide, attached to the superstructure, and umbrella/life ring holder, attached to the fiberglass decking, as a means to attach an umbrella to the lifeguard chair. Appropriate warning labels shall be provided on the platform superstructure.

8 Zip-on safety grip covers shall be provided for additional gripping surface and to protect lifeguards from heated steel surfaces.

General

The stainless steel frame shall be electro-chemically passivated on all worked areas for maximum corrosion resistance. All bends shall be smooth and wrinkle free. All hardware shall be 18-8 stainless steel. Custom designs and modifications are available upon request.



1351 ROUTE 55, LAGRANGEVILLE, NY 12540 845.463.7200 845.463.7291 fax WWW.PENTAIRCOMMERCIAL.COM WWW.PARAGONAQUATICS.COM
All Pentair trademarks and logos are owned by Pentair, Inc. Paragon®, and Griff's Guard Station® are registered trademarks of Pentair Water Pool and Spa, Inc. and/or its affiliated companies in the United States and/or other countries. Because we are continuously improving our products and services, Pentair reserves the right to change specifications without prior notice. Pentair is an equal opportunity employer.