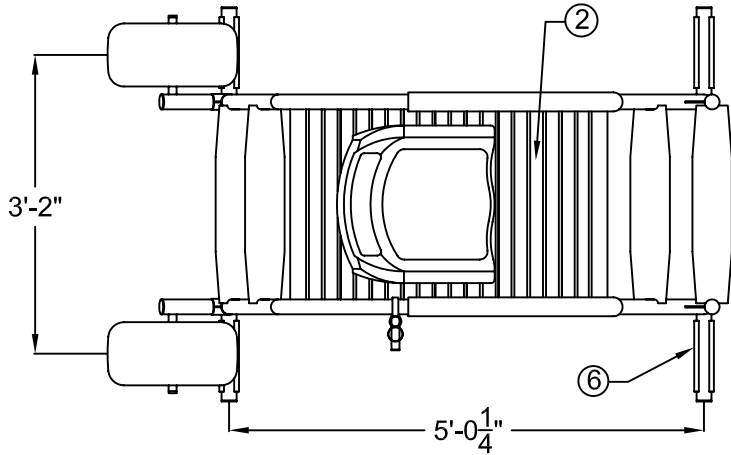
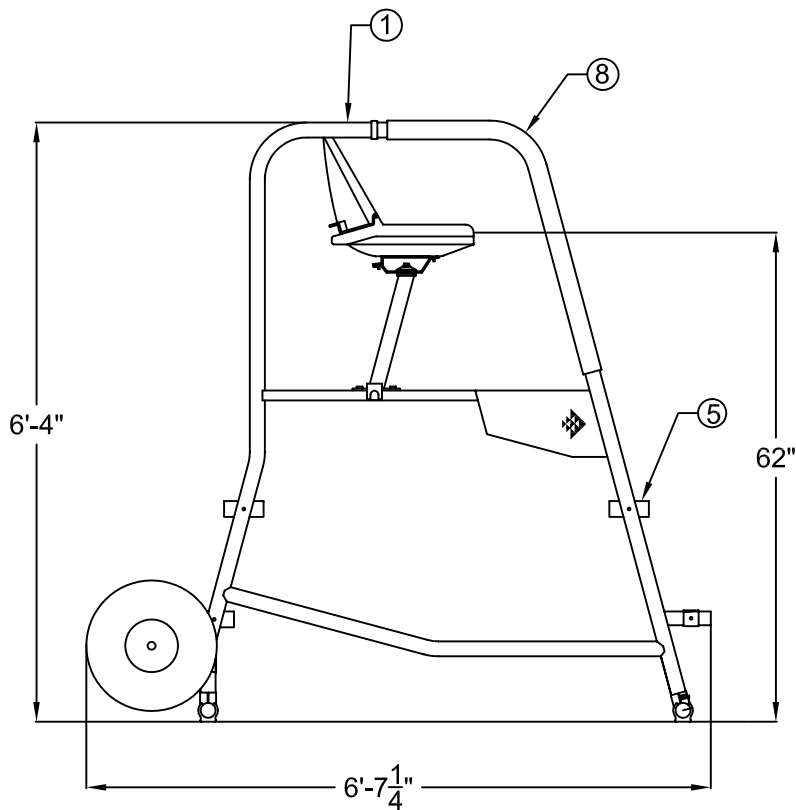
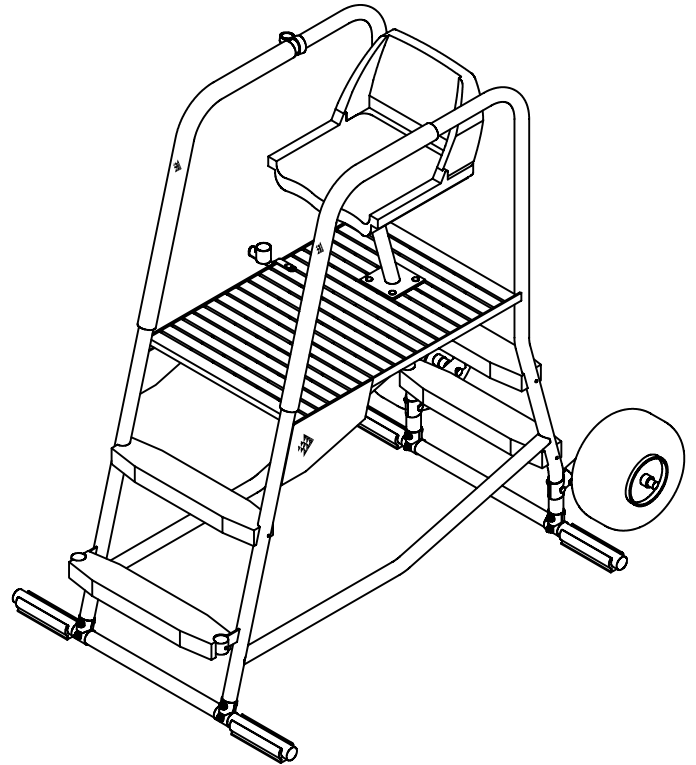


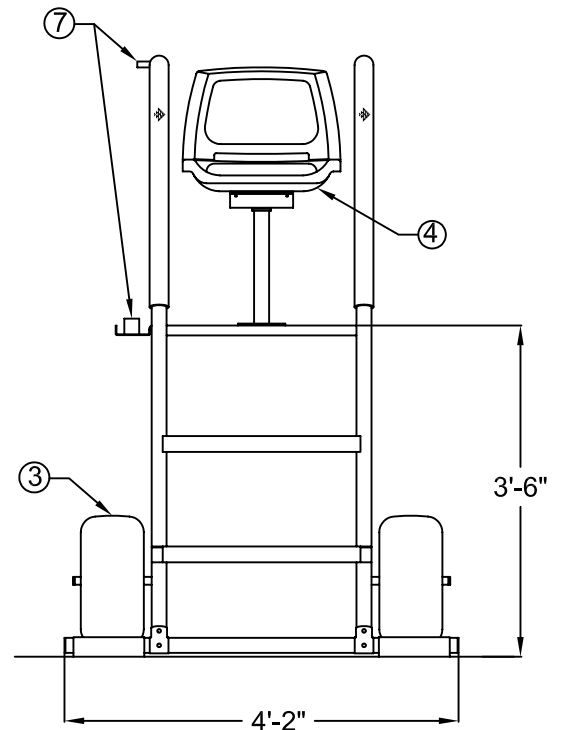
5 Foot All Terrain Griff's Guard Station[®]



PLAN VIEW



SIDE VIEW



FRONT VIEW

The data represents the latest knowledge available to us at time of presentation. However, Paragon Aquatics and others involved in gathering and presenting this drawing assume no liability for its use.

© 2011 Paragon Aquatics



**PARAGON
AQUATICS**

Pentair Water
Commercial Pool & Aquatics

1351 Route 55
LaGrangeville, New York
12540
Phone: 845-463-7200
Fax: 845-463-7291
www.paragonaquatics.com

Drawn by: RV	Date: 11/8/11	Approved by: JMM	Date: 11/8/11
Sheet Title: 5' All Terrain Griff's Guard Station [®]			
Drawing Number: SS-LG40.28-5	Revision Letter: A	Sheet: 1 of 2	

5 Foot All Terrain Griff's Guard Station[®]

Part Number: **20331**

Specifications

- ① The lifeguard chair superstructure shall be manufactured of ASTM A-554 certified 1.90" x .065" wall thickness Type 304 stainless steel polished to a 320 grit finish. The platform decking support shall be made of 1 1/4" x 1 1/4" x 3/16" thick Type 304 stainless steel angle, polished to a 320 grit finish.
- ② The main platform decking shall be a resin coated fiberglass reinforced grating in a "T" bar construction. The top surface shall have a white, non-skid surface. The decking shall recess into a stainless steel support such that no portion of the side of the "T" bar shall be visible to the user. The overall platform area shall measure 40 3/8" x 26 3/4" and be located 3'-6" above the pool deck.
- ③ The lifeguard chair shall be provided with wheel axles that bolt onto the rear legs of the superstructure. 42cm (16 1/2") diameter inflatable polyurethane beach wheels shall be provided to allow for easy mobility across most terrains. The lifeguard chair may be used for indoor and outdoor applications.
- ④ A cushioned fold-down seat shall be provided. The seat shall be made of high-impact plastic and the cushions shall be made of urethane foam covered with marine-grade vinyl. The seat shall be mounted to a sloped, stainless steel support pedestal. The support pedestal shall allow the seat to be rotated a full 360°. The seat shall be located at a height of 5'-2" (62") above the pool deck.
- ⑤ The mounting steps shall be made of white, UV stabilized, ABS plastic with an integral, 5" wide non-skid surface. The steps shall fit a 26" post spacing (center to center). Rear and front chair access shall be provided to facilitate lifeguard shift changes with uninterrupted coverage.
- ⑥ Rubber sleeves shall be provided on the base bars for additional support and to prevent damage to pool deck tile.
- ⑦ The lifeguard chair shall be provided with an umbrella ring guide, attached to the superstructure, and umbrella/life ring holder, attached to the fiberglass decking, as a means to attach an umbrella to the lifeguard chair. Appropriate warning labels shall be provided on the platform superstructure.
- ⑧ Zip-on safety grip covers shall be provided for additional gripping surface and to protect lifeguards from heated steel surfaces.

General

The stainless steel frame shall be electro-chemically passivated on all worked areas for maximum corrosion resistance. All bends shall be smooth and wrinkle free. All hardware shall be 18-8 stainless steel. Custom designs and modifications are available upon request.

Accessories

ID Number	Description
20704	Cushioned Lifeguard Chair Seat - seat only
20702	Seat Support and Swivel Assembly
20717	Umbrella/Life Ring Holder
20336	Duradek Footboard, 40 3/8" x 26 3/4"
20335	Wheel, ø42cm for All Terrain GGS
20723	High Wind/Umbrella Warning Label

ID Number	Description
44107	26" Vertical ABS Step with Hardware
44109	26" Sloping ABS Step with Hardware
20798	9" Rubber Sleeve
23996	Powdercoat Upgrade for All Terrain GGS
20334	Zip-up Safety Grip Covers

The data represents the latest knowledge available to us at time of presentation. However, Paragon Aquatics and others involved in gathering and presenting this drawing assume no liability for its use.

© 2011 Paragon Aquatics



**PARAGON
AQUATICS**

Pentair Water
Commercial Pool & Aquatics

1351 Route 55
LaGrangeville, New York
12540
Phone: 845-463-7200
Fax: 845-463-7291
www.paragonaquatics.com

Drawn by: RV	Date: 11/8/11	Approved by: JMM	Date: 11/8/11
Sheet Title: 5' All Terrain Griff's Guard Station[®]			
Drawing Number: SS-LG40.28-5	Revision Letter: A	Sheet: 2 of 2	