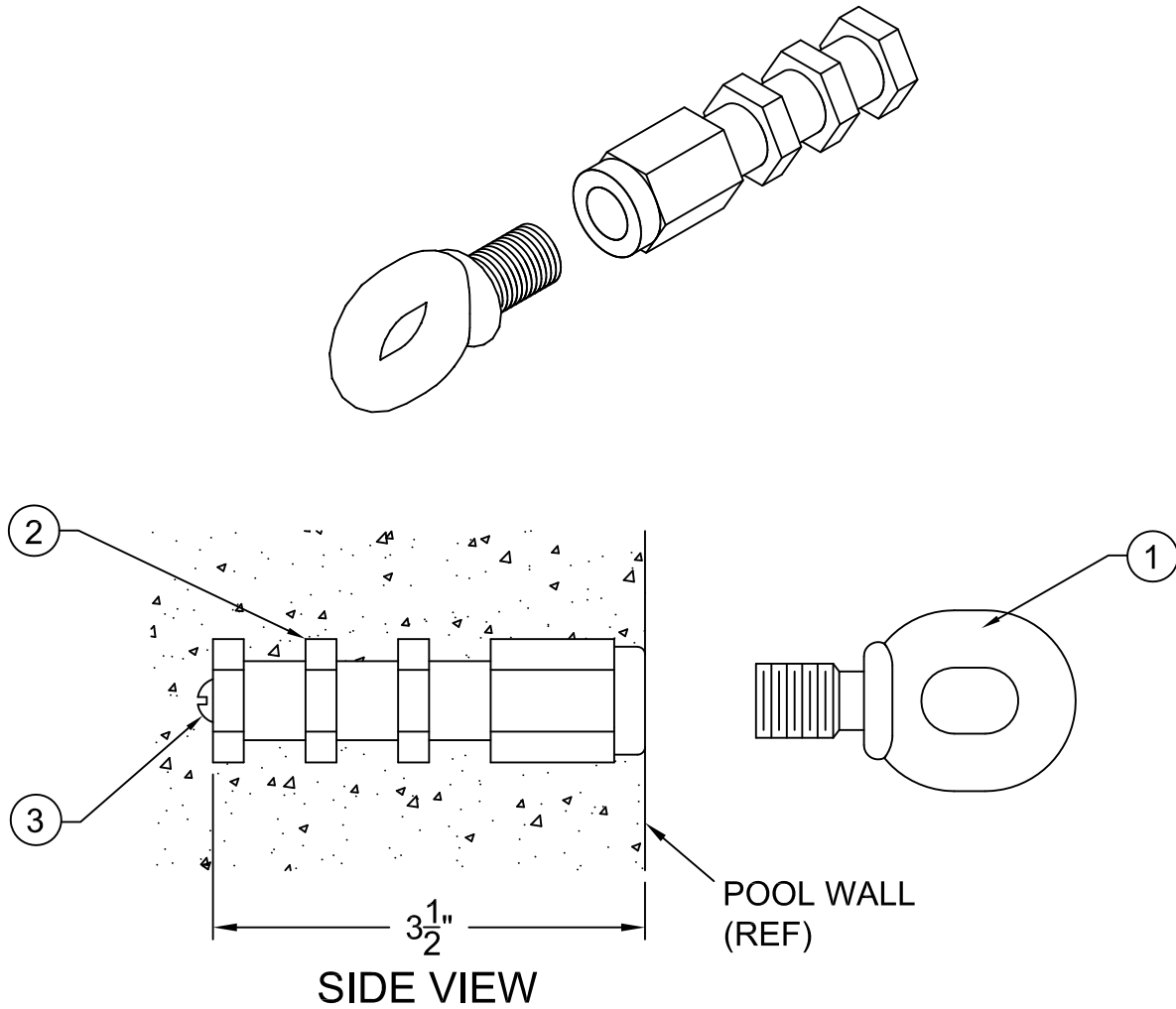


Threaded Wall Insert (Heavy Duty)



Part Number: **70317 (Heavy Duty Eye Bolt)**
70318 (Heavy Duty Threaded Wall Insert)

Specifications

- ① The heavy duty eye bolt shall be made of chrome-plated bronze and shall have a 5/8"-11 thread for attaching to the threaded wall insert. The ring of the eyebolt shall be 7/16" thick with a clear opening of 13/16" x 5/8".
- ② The threaded wall insert for the heavy duty eye bolt shall be made of brass. An internal thread is provided to attach the eye bolt to the wall.
- ③ A brass bonding screw is provided for grounding/bonding purposes.

General

Insert is to be fully embedded in concrete and installed per Paragon Aquatics installation instructions. Insert is intended for use with heavy duty eye bolt only.

The data represents the latest knowledge available to us at time of presentation. However, Paragon Aquatics and others involved in gathering and presenting this drawing assume no liability for its use.



**PARAGON
AQUATICS**
Pentair Water
Commercial Pool & Aquatics

1351 Route 55
LaGrangeville, New York
12540
Phone: 845-463-7200
Fax: 845-463-7291
www.paragonaquatics.com

Drawn by: RV	Date: 6/27/08	Approved by: SF	Date: 6/27/08
Sheet Title: Threaded Wall Insert (Heavy Duty)			
Drawing Number: SS-AA20.83	Revision Letter: A	Sheet: 1 of 1	