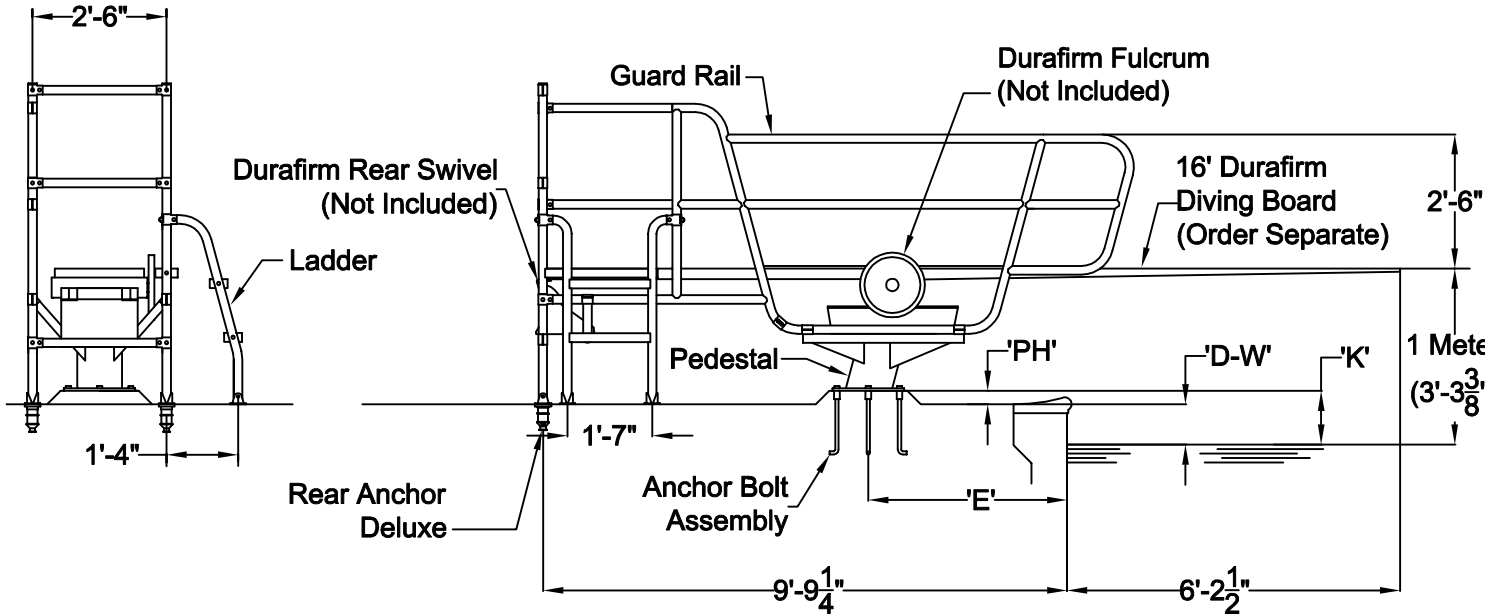


Assembly Instructions for One Meter Duradapt Diving Tower (Ladder at Side with Flanged Pedestal)

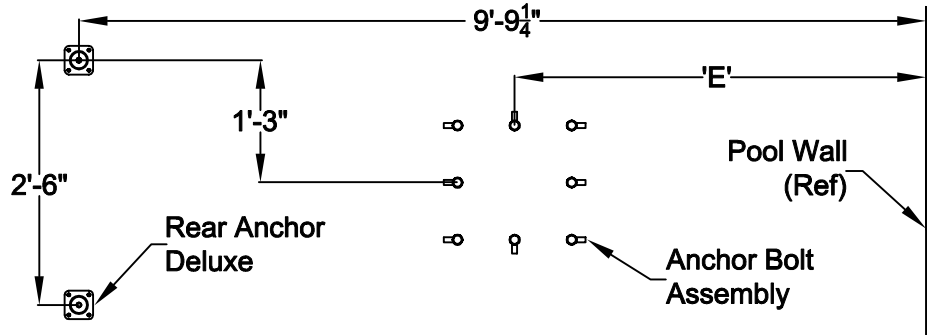


Dear Valued Customer,

Thank you for your recent purchase of our 1 Meter Duradapt diving tower with ladder at side. The following instructions will assist you in the assembly of your tower. Page one of this document provides a side and rear view of how your tower will look when assembled and also gives anchor locations. Page two is an isometric 3-dimensional drawing which will aid in parts identification as well as parts locations. Page three provides step by step written instructions on how to assemble the tower. We trust that you will enjoy much satisfaction with the equipment you have purchased, and thank you for choosing Paragon deck equipment!

'K' DIMENSION	DECK TO WATER ('D-W')	PAD HEIGHT ('PH')	PEDESTAL HEIGHT	'E' DIMENSION
4"	0"	4"	20 3/4"	46 5/8"
4"	1"	3"	20 3/4"	46 5/8"
4"	2"	2"	20 3/4"	46 5/8"
4"	3"	1"	20 3/4"	46 5/8"
4"	4"	0"	20 3/4"	46 5/8"
8"	5"	3"	16 3/4"	45 9/16"
8"	6"	2"	16 3/4"	45 9/16"
8"	7"	1"	16 3/4"	45 9/16"
8"	8"	0"	16 3/4"	45 9/16"
12"	9"	3"	12 3/4"	44 1/2"
12"	10"	2"	12 3/4"	44 1/2"
12"	11"	1"	12 3/4"	44 1/2"
12"	12"	0"	12 3/4"	44 1/2"
>12"	Custom - Call for Details			

Notes:
 'K' Dimension = Top of pad to water line ('PH' + 'D-W')
 'E' Dimension = Edge of pool wall to center line of bottom of pedestal



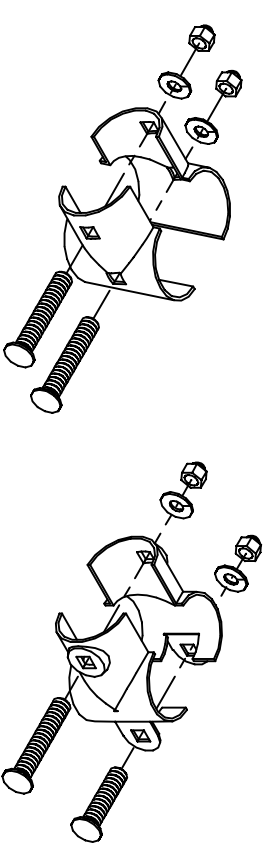
ANCHOR PLAN VIEW

Supersedes Assembly Instructions Dated 1/27/11

PARAGON AQUATICS
 Pentair Water
 1351 Route 55
 LaGrangeville, New York 12540
 Phone: 845-463-7200
 Fax: 845-463-7291
 www.paragonaquatics.com

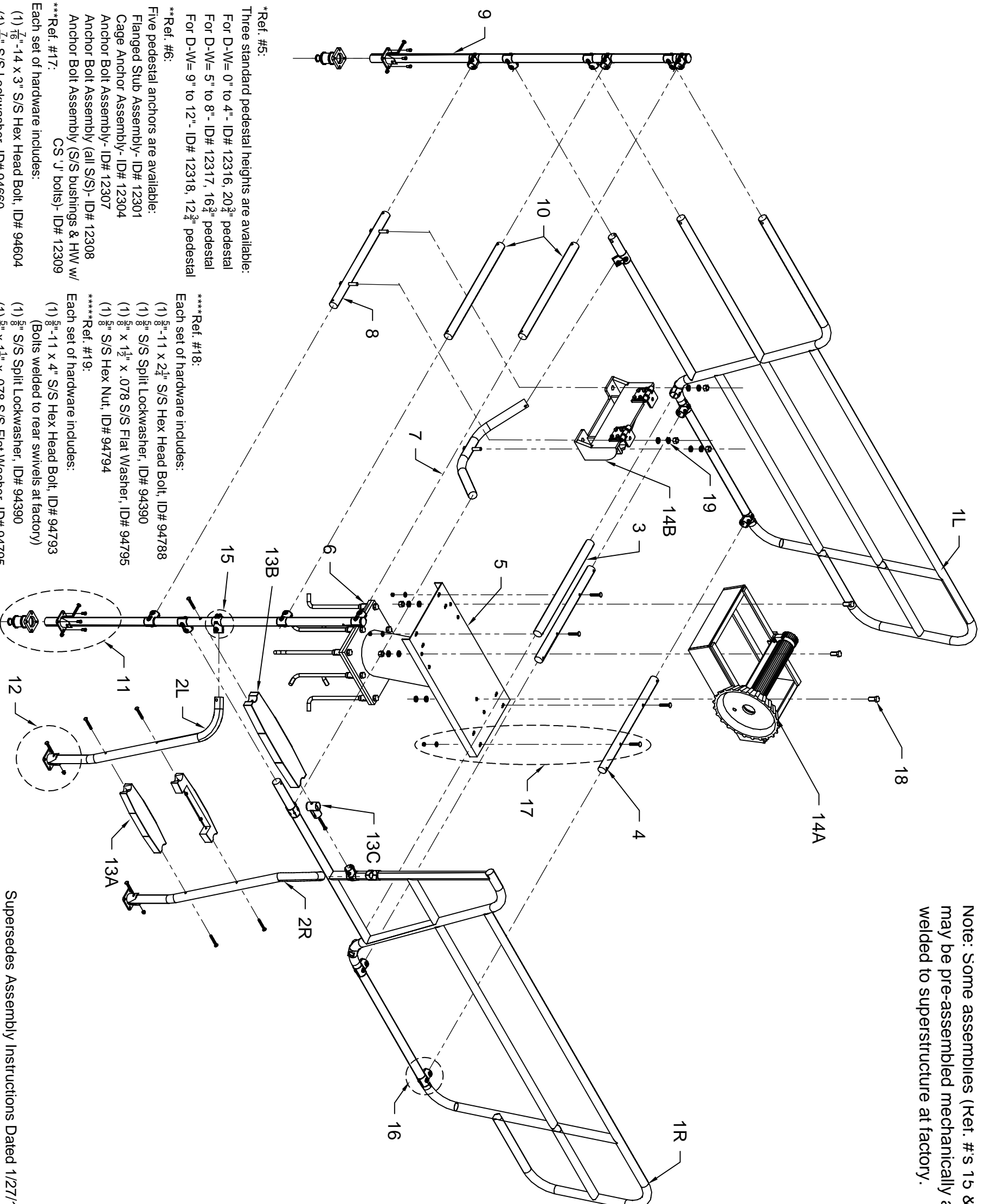
Dwn by: SF	Date: 2/27/12	Title: 1 Meter Duradapt Diving Tower, Ladder At Side, Flanged Pedestal Assembly Drawing	Material: See Notes/Schedule
App by: RV	Date: 2/27/12	Drawing Number: AI-DT10 03S	Tolerance: (Unless noted) N/A
		Scale: N/A	Rev Ltr: F
			Sheet: 1 of 3

Note: Some assemblies (Ref. #'s 15 & 16) may be pre-assembled mechanically and/or welded to superstructure at factory.



Split Tee Assembly (Ref. #16)

Clamp Tee Assembly (Ref. #15)



REF #	DESCRIPTION	QTY	PART #
1L	Guard Rail Side Frame- Left hand side	1	13034L
1R	Guard Rail Side Frame- Right hand side	1	13034R
2L	Ladder Riser- Left hand side	1	13041L
2R	Ladder Riser- Right hand side	1	13041R
3	Rear Cross Tie	1	13040J
4	Pedestal Cross Bar	2	13042
5	Pedestal	1	*
6	Pedestal Anchor	1	**
7	Rear Swivel Front Support Bar	1	13035
8	Rear Swivel Back Support Bar	1	13036
9	Rear Leg	2	13037J
10	Rear Cross Tie	2	13040J
11	Rear Anchor Deluxe (with hardware)	2	28201
12	Clamp Flange Assembly (with hardware)	2	28202
13A	19" ABS Sloping Step (with hardware)	2	44104
13B	26" ABS Vertical Step (with hardware)	1	44107
13C	Step Adaptor	1	13303
14A	Durafirm Fulcrum (ordered separately)	1	24111A
14B	Durafirm Rear Swivel (ordered separately)	1	24111B
15	Clamp Tee Assembly (with hardware)	4	12503
16	Split Tee Assembly (with hardware)	17	12501
17	Superstructure to Pedestal mounting hardware	4 sets	****
18	Fulcrum to Pedestal mounting hardware	3 sets	****
19	Rear Swivel mounting hardware	3 sets	****

Supersedes Assembly Instructions Dated 1/27/11

*Ref. #5:
Three standard pedestal heights are available:
For D-W= 0" to 4" - ID# 12316, 20³/₄" pedestal
For D-W= 5" to 8" - ID# 12317, 16³/₄" pedestal
For D-W= 9" to 12" - ID# 12318, 12³/₄" pedestal

**Ref. #6:
Five pedestal anchors are available:
Flanged Stub Assembly- ID# 12301
Cage Anchor Assembly- ID# 12304
Anchor Bolt Assembly- ID# 12307
Anchor Bolt Assembly (all S/S)- ID# 12308
Anchor Bolt Assembly (S/S bushings & HW w/ CS 'J' bolts)- ID# 12309

***Ref. #17:
Each set of hardware includes:
(1) 5/8"-11 x 4" S/S Hex Head Bolt, ID# 94793
(Bolts welded to rear swivels at factory)
(1) 5/8" S/S Split Lockwasher, ID# 94390
(1) 5/8" x 1 1/2" x .078 S/S Flat Washer, ID# 94795
(1) 5/8" S/S Hex Nut, ID# 94794

****Ref. #18:
Each set of hardware includes:
(1) 5/8"-11 x 2 1/4" S/S Hex Head Bolt, ID# 94788
(1) 5/8" S/S Split Lockwasher, ID# 94390
(1) 5/8" x 1 1/2" x .078 S/S Flat Washer, ID# 94795
(1) 5/8" S/S Hex Nut, ID# 94794

*****Ref. #19:
Each set of hardware includes:
(1) 5/8"-11 x 4" S/S Hex Head Bolt, ID# 94793
(Bolts welded to rear swivels at factory)
(1) 5/8" S/S Split Lockwasher, ID# 94390
(1) 5/8" x 1 1/2" x .078 S/S Flat Washer, ID# 94795
(1) 5/8" S/S Hex Nut, ID# 94794

Each set of hardware includes:
(1) 5/8"-11 x 4" S/S Hex Head Bolt, ID# 94793
(Bolts welded to rear swivels at factory)
(1) 5/8" S/S Split Lockwasher, ID# 94390
(1) 5/8" x 1 1/2" x .078 S/S Flat Washer, ID# 94795
(1) 5/8" S/S Hex Nut, ID# 94794



PARAGON AQUATICS
Pentair Water
Commercial Pool & Aquatics

1351 Route 55
LaGrangeville, New York
12540
Phone: 845-463-7200
Fax: 845-463-7291
www.paragonaquatics.com

Dwn by:	Date:	Title:	
SF	2/27/12	1 Meter Duadrapt Diving Tower, Ladder At Side, Flanged Pedestal Assembly Drawing	
App by:	Date:	Drawing Number:	Tolerance: (Unless noted)
RV	2/27/12	A1-DT10.03S	N/A
Material:		Scale:	Rev Ltr:
See Notes/Schedule		N/A	F
Sheet:		2 of 3	


1 METER DURADAPT DIVING TOWER (LADDER @ SIDE) FLANGED PEDESTAL ASSEMBLY INSTRUCTIONS:

General Notes: Your 1 Meter Duradapt diving tower has been shipped with some parts (Side Frames) pre-assembled at our factory. Prior to beginning, please inspect all pieces and boxes to ensure that parts were not damaged in transit. If damage is detected, notify your distributor/freight carrier immediately as a freight claim **must** be filed within a certain time frame from receipt of goods. Take a moment to review the front pages of this assembly drawing to familiarize yourself with the tower components and to verify all parts have been received. You'll notice that certain pieces are unique and will be depicted as left or right hand side (as viewed facing the pool from behind the tower). By reviewing the data sheets and by insuring that the open end of the T-connectors are facing each other you, can identify the left and right sides.

Assembly Instructions:

1. Bolt the pedestal (ref. #5) to the pedestal anchor (ref. #6) with the (8) $\frac{3}{4}$ " x 2" hex head bolts and $\frac{3}{4}$ " lockwashers. Check pedestal cap for level and alignment, and tighten bolts securely.
2. Rear legs (ref. #9) usually have to be trimmed before installing. Take an accurate vertical measurement from the top of the pedestal to the top of the rear anchor deluxe body (ref. #11). Deduct that measured amount from $24\frac{3}{4}$ ". The difference is the amount to be trimmed from the bottom of each leg. Trim the legs accordingly.
3. Create the rear leg assembly by attaching (2) rear cross ties (ref #10) and (1) rear swivel back support bar (ref #8) between the trimmed rear legs (ref #9) using (6) split tee assemblies (ref #16). Use 3-D drawing on page 2 for reference to locate proper placement of cross bars. Next, attach (4) split tee assemblies into the (4) remaining open holes of the rear legs, making sure the open T-connectors are facing the pool. The leg with (3) open holes shall be the 'non-ladder side leg'.
4. Slip the clamp flange portion of the anchor deluxe over the bottom ends of the legs. Insert the legs into the anchors with the open T-connectors and frame nuts facing the pool. Prop the frame in an upright position.
5. Lay the assembled guard rail side frame - left hand side (ref. #1L) on the ground with the T-connectors facing up. Attach the (2) pedestal cross bars (ref. #4) to the side frame as shown on page 2. Note that T-connectors are assembled at the factory to help in positioning the rails and must be partially removed and re-assembled during installation.
6. Raise this side frame assembly so the pedestal support bar rest on the pedestal cap. They will line up with the front and rear most holes on the pedestal top. Using the superstructure to pedestal mounting hardware (ref. #17), secure the raised side frame assembly to the pedestal.
7. Raise the guard rail side frame - right hand side (ref. #1R) into position so that it mirrors the already installed left hand side. Secure the right side to the pedestal cross bars with the T-connectors.
8. Attach the rear cross tie (ref. #3) and the rear swivel front support bar (ref. #7) to the assembled side frames using the T-connectors. You may refer to the 3-D drawing on page 2 for location reference. Using a 4' level, verify that the rear swivel front support bar aligns with the rear swivel back support bar (ref. #8) located on the rear leg assembly.
9. Level and square up the assembled superstructure (side frames and rear frame) and make any necessary adjustments. Inspect and tighten all connections made up to this point.
10. Both rear legs (ref. #9) must be drilled for bolts which attach the clamp flanges (already inserted onto legs) to the rear legs. Attach the flange to the socket body with (4) $\frac{3}{8}$ " x $\frac{3}{4}$ " hex head bolts. Drill through the flange cross holes and rear leg with a $\frac{3}{8}$ " drill bit. Bolt together with one $\frac{3}{8}$ " x 3" hex head bolt. Note: Drilling stainless steel requires a very slow speed drill and constant pressure.
11. Connect the step adapter (ref. #13C) to the open split tee on the ladder side of the rear frame assembly. Attach the 26" vertical step (ref. 13B) using the hardware provided and ensure step is level.
12. Lay the left & right ladder risers on the ground. Note that the clamp flanges are installed at the factory. Attach the (2) 19" sloping steps (ref. #13A) so that they will be level when the ladder is attached to the tower. Use curved head bolts and washers under the nuts. Secure tightly. **Caution - do not over tighten as this may damage the plastic steps!**
13. Raise the ladder assembly into the ladder opening and attach (hand tight) with clamp tee assemblies (ref. #15).
14. The bottom end of the ladder should be located on the deck per the data sheet (page 1). It should be square to the superstructure and the steps should be level. *It is imperative that the steps remain level.* Attach the flanges to the deck using lags and shields (provided by others).
15. Install the Durafirm fulcrum (ref. #14A), Durafirm rear swivel (ref. #14B), and 16' Durafirm diving board per the manufacturer's instructions as provided by Durafirm, using the hardware provided. (ref. #17 & ref. #18)
16. Paint or touch up the pedestal (ref. #5) as needed.

Supersedes Assembly Instructions Dated 1/27/1

 PARAGON AQUATICS Pentair Water	1351 Route 55 LaGrangeville, New York 12540 Phone: 845-463-7200 Fax: 845-463-7291 www.paragonaquatics.com	Dwn by: Date: SF 2/27/12	Title: 1 Meter Duradapt Diving Tower, Ladder At Side, Flanged Pedestal Assembly Drawing			Material: See Notes/Schedule	
		App by: Date: RV 2/27/12	Drawing Number: AI-DT10 03S	Tolerance: (Unless noted) N/A	Scale: N/A	Rev Ltr: F	Sheet: 3 of 3