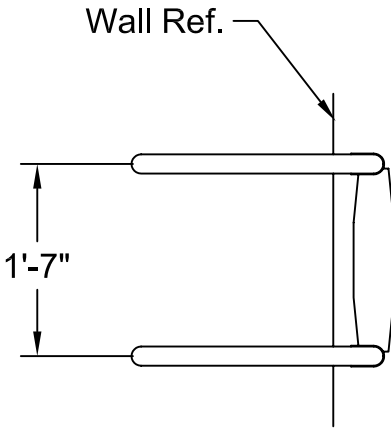
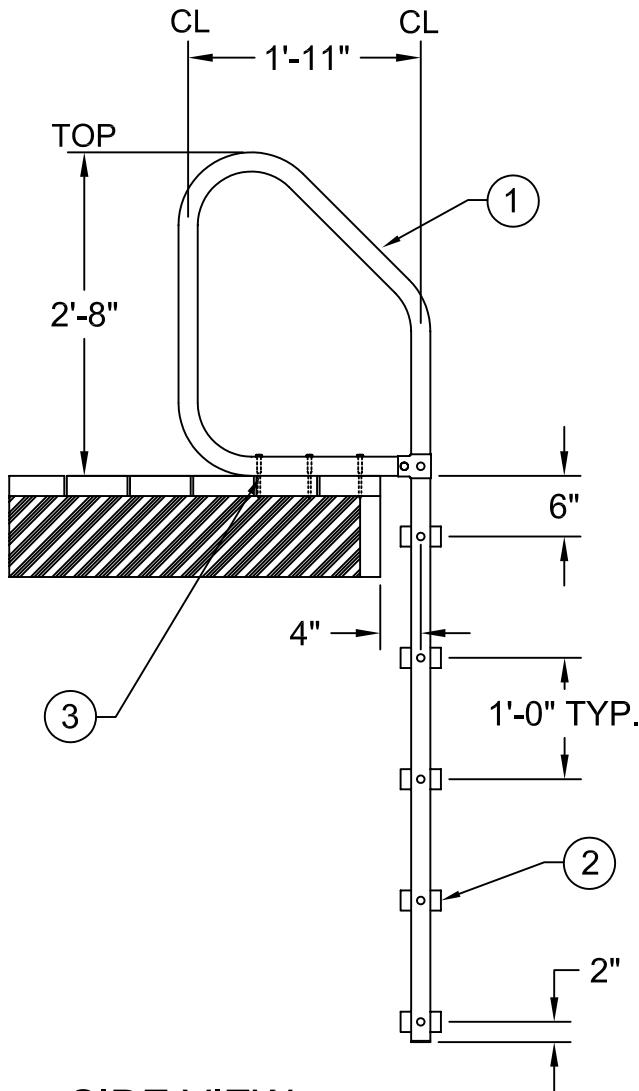
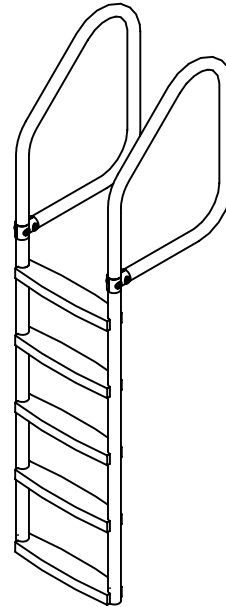


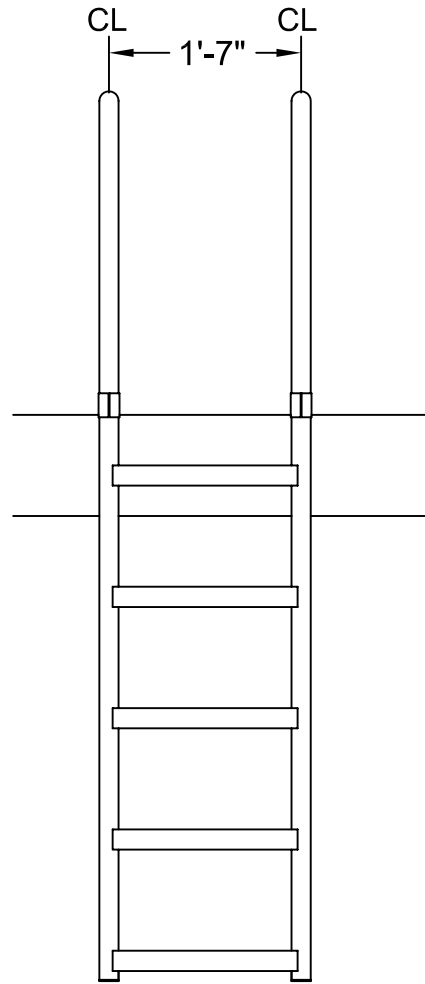
Waterfront (Dock Ladder)



PLAN VIEW



SIDE VIEW



FRONT VIEW

The data represents the latest knowledge available to us at time of presentation. However, Paragon Aquatics and others involved in gathering and presenting this drawing assume no liability for its use.

© 2008 Paragon Aquatics



**PARAGON
AQUATICS**

Pentair Water
Commercial Pool & Aquatics

1351 Route 55
LaGrangeville, New York
12540
Phone: 845-463-7200
Fax: 845-463-7291
www.paragonaquatics.com

Drawn by: **JMM** Date: **6/27/08** Approved by: **SF** Date: **6/27/08**

Sheet Title: **Waterfront (Dock Ladder)**

Drawing Number: **SS-LD30.13**

Revision Letter: **C**

Sheet: **1 of 2**

Waterfront (Dock Ladder)

Specifications

- ① The ladder frames shall be fabricated from ASTM A-554 certified 1.90" OD x .065" wall thickness Type 304 stainless steel polished to a 320 grit finish. All bends shall be smooth and free of wrinkles. Connectors shall be of stamped stainless steel and all bolts and nuts shall be 18-8 stainless steel.
- ② The ladder steps shall be made of injected molded, UV inhibited ABS material (white). The step shall be 19" long x 4" wide with an integral non skid surface.
- ③ The ladder shall mount to the raft using six lag bolts.

General

The stainless steel frame shall be electro-chemically passivated on all worked areas for maximum corrosion resistance. All hardware shall be 18-8 stainless steel. Custom designs and modifications are available upon request.

Selector Chart

Description	ID Number
3 Step	42607
4 Step	42608
5 Step	42609

Accessories

ID Number	Description
44101	19" Vertical ABS ladder step with hardware.
44102	19" Vertical stainless steel step with hardware.
12501	Split tee assembly with hardware.

The data represents the latest knowledge available to us at time of presentation. However, Paragon Aquatics and others involved in gathering and presenting this drawing assume no liability for its use.

© 2008 Paragon Aquatics



**PARAGON
AQUATICS**
Pentair Water
Commercial Pool & Aquatics

1351 Route 55
LaGrangeville, New York
12540
Phone: 845-463-7200
Fax: 845-463-7291
www.paragonaquatics.com

Drawn by: JMM	Date: 6/27/08	Approved by: SF	Date: 6/27/08
Sheet Title:	Waterfront (Dock Ladder)		
Drawing Number: SS-LD30.13	Revision Letter: C	Sheet: 2 of 2	