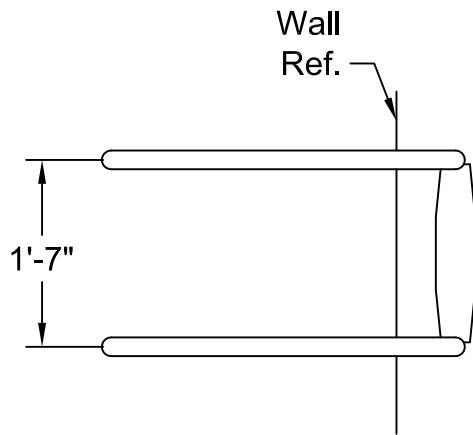
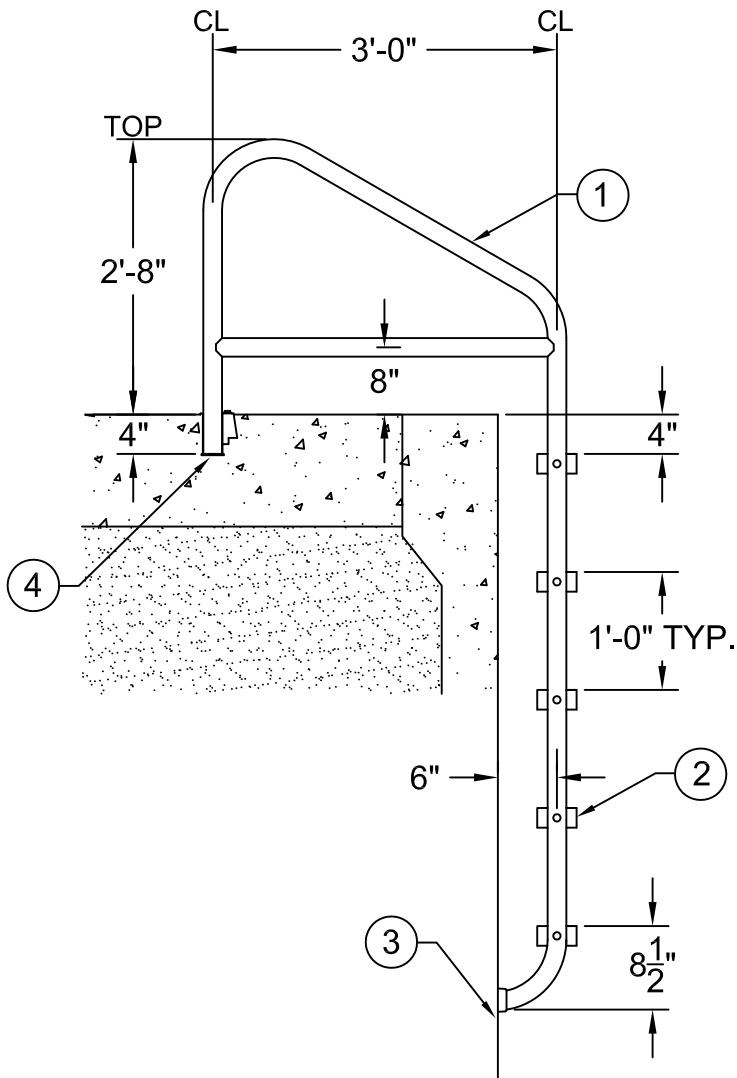
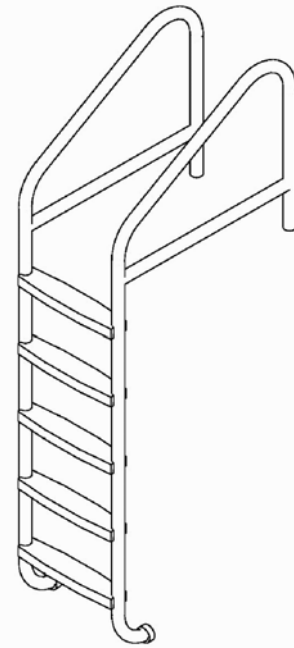


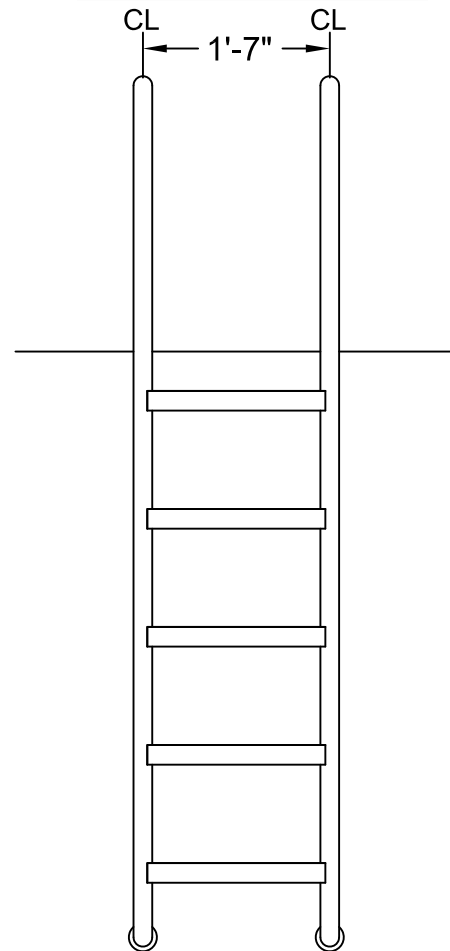
Florida Style Cross Braced Vertical Ladder



PLAN VIEW



SIDE VIEW



FRONT VIEW

The data represents the latest knowledge available to us at time of presentation. However, Paragon Aquatics and others involved in gathering and presenting this drawing assume no liability for its use.

© 2008 Paragon Aquatics



**PARAGON
AQUATICS**

Pentair Water
Commercial Pool & Aquatics

1351 Route 55
LaGrangeville, New York
12540
Phone: 845-463-7200
Fax: 845-463-7291
www.paragonaquatics.com

Drawn by: JMM Date: 6/27/08 Approved by: SF Date: 6/27/08

Sheet Title: Florida Style Cross Braced Vertical Ladder

Drawing Number: SS-LD30.04 Revision Letter: C Sheet: 1 of 2

Florida Style Cross Braced Vertical Ladder

Specifications

- ① The ladder frames shall be fabricated from ASTM A-554 certified 1.90" OD x _____" wall thickness Type 304 stainless steel polished to a 320 grit finish. All bends shall be smooth and free of wrinkles.
- ② The ladder steps shall be made of injected molded, UV inhibited ABS material (white). The step shall be 19" long x 4" wide with an integral non-skid surface.
- ③ Molded rubber bumper shall be provided on bottom returned end of ladder rails for support and to prevent marking of the pool wall.
- ④ The ladder posts shall be anchored in 4" deep bronze wedge anchor sockets (not included), which shall be fully embedded in a concrete deck.

General

The stainless steel frame shall be electro-chemically passivated on all worked areas for maximum corrosion resistance. All hardware shall be 18-8 stainless steel. Custom designs and modifications are available upon request.

Selector Chart

	Material Size (T304 s/s)		
	1.90" X .065	1.90" X .109	1.90" X .145
2 Step	42151	42155	42159
3 Step	42152	42156	42160
4 Step	42153	42157	42161
5 Step	42154	42158	42162

Accessories

ID Number	Description
44101	19" Vertical ABS ladder step with hardware
44102	19" Vertical stainless steel step with hardware
44201	Rubber bumper (white)
28102	Bronze wedge anchor socket for 1.90" OD
28301	Deluxe chrome plated bronze escutcheon cover

The data represents the latest knowledge available to us at time of presentation. However, Paragon Aquatics and others involved in gathering and presenting this drawing assume no liability for its use.

© 2008 Paragon Aquatics



**PARAGON
AQUATICS**
Pentair Water
Commercial Pool & Aquatics

1351 Route 55
LaGrangeville, New York
12540
Phone: 845-463-7200
Fax: 845-463-7291
www.paragonaquatics.com

Drawn by: JMM	Date: 6/27/08	Approved by: SF	Date: 6/27/08
Sheet Title: Florida Style Cross Braced Vertical Ladder			
Drawing Number: SS-LD30.04	Revision Letter: C	Sheet: 2 of 2	