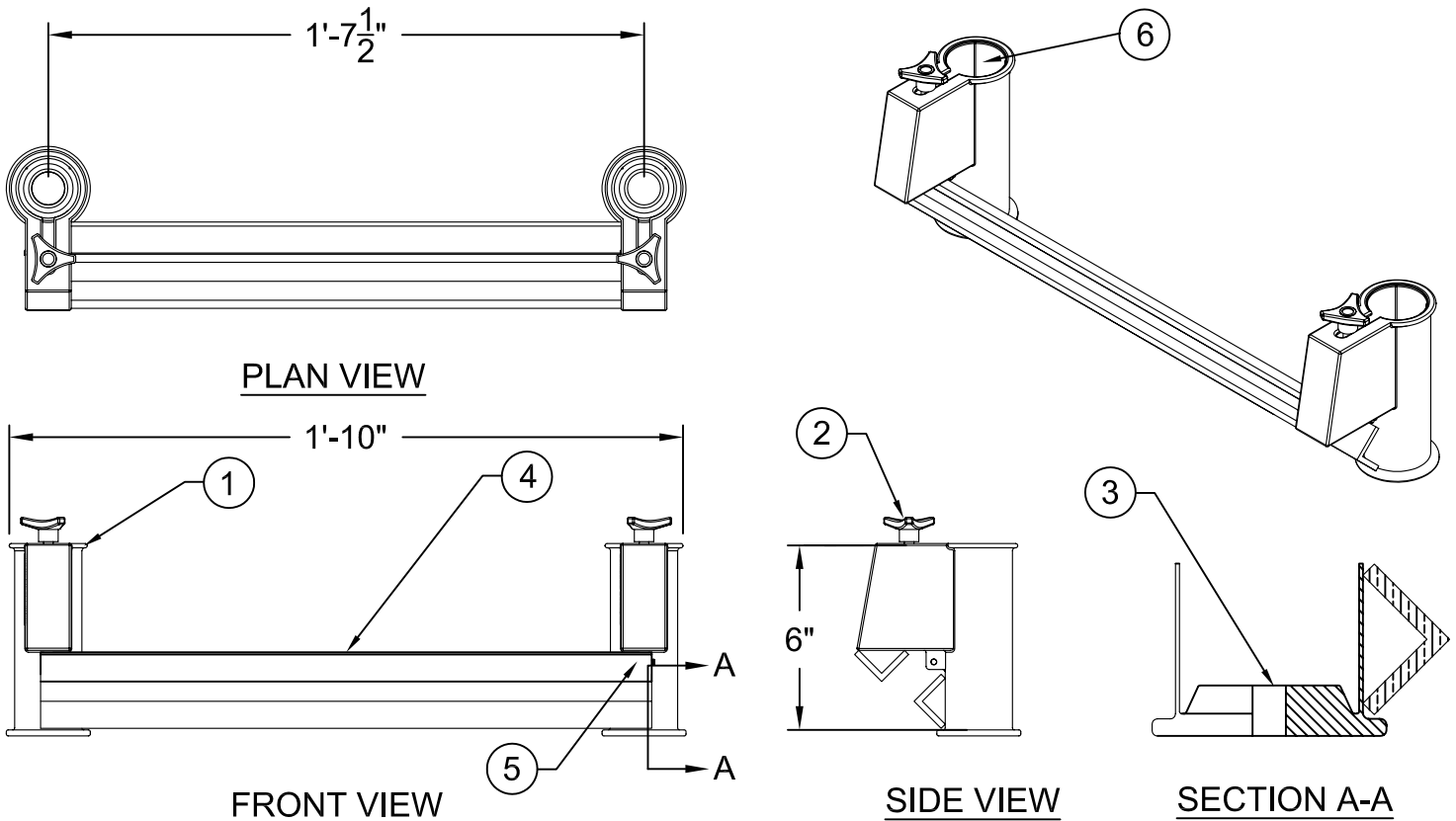


6" Competitor Dual-Wedge Anchor Socket



Part Number: 23103DW

Specifications

- ① Anchor socket shall be cast T316 stainless steel with an electro-polished finish and shall be used on all Competitor starting platforms with an anchor setback of 29 1/2 inches or less. No tools are required for installation or removal of the starting platform. Socket depth shall be 6 inches.
- ② Anchor shall not require tools to operate. Integrated plastic knobs shall allow for tightening of wedge assembly. Wedge assembly shall consist of a bronze wedge and T304 stainless steel hardware. Wedge Assembly shall be removable for storage inside anchor socket when not in use.
- ③ The patented taper-lock base shall be self-centering and prevent movement of the platform post at the bottom of the anchor when properly seated.
- ④ Welded spacers shall be made of T304 stainless steel and are factory installed to ensure proper spacing and alignment with platforms.
- ⑤ Brass screws shall be provided for bonding/grounding purposes.
- ⑥ Slip fit covers, made of T316 Stainless Steel with an electro-polished finish, shall be provided to cover anchor sockets when starting platform is not in use. A cover removal tool shall be provided.

General

Anchor system is to be fully embedded in concrete and installed per Paragon Aquatics installation instructions. Anchor system is intended for use with only Paragon starting platforms.

Accessories

23102DW	6" Anchor Socket (socket only)
28414	Wedge Assembly for Competitor Dual Wedge
23074	Cover for Competitor Dual Wedge
23303	Cover Removal Tool

The data represents the latest knowledge available to us at time of presentation. However, Paragon Aquatics and others involved in gathering and presenting this drawing assume no liability for its use.



**PARAGON
AQUATICS**
Pentair Water
Commercial Pool & Aquatics

1351 Route 55
LaGrangeville, New York
12540
Phone: 845-463-7200
Fax: 845-463-7291
www.paragonaquatics.com

Drawn by: JMM	Date: 9/29/11	Approved by: JMM	Date: 9/29/11
Sheet Title: 6" Competitor Dual-Wedge Anchor			
Drawing Number: SS-SPA20.96	Revision Letter: C	Sheet: 1 of 1	