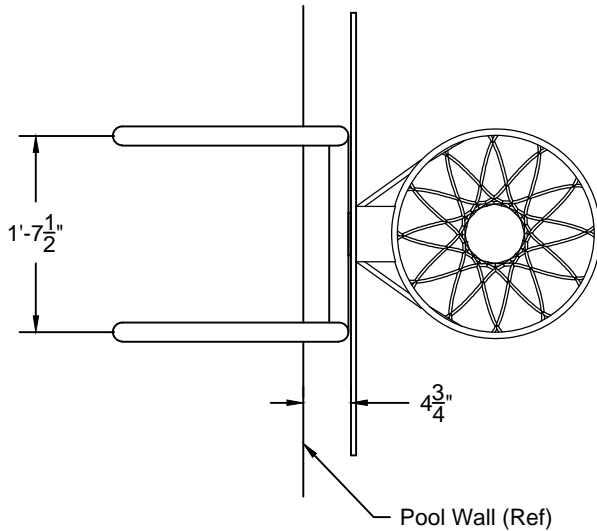
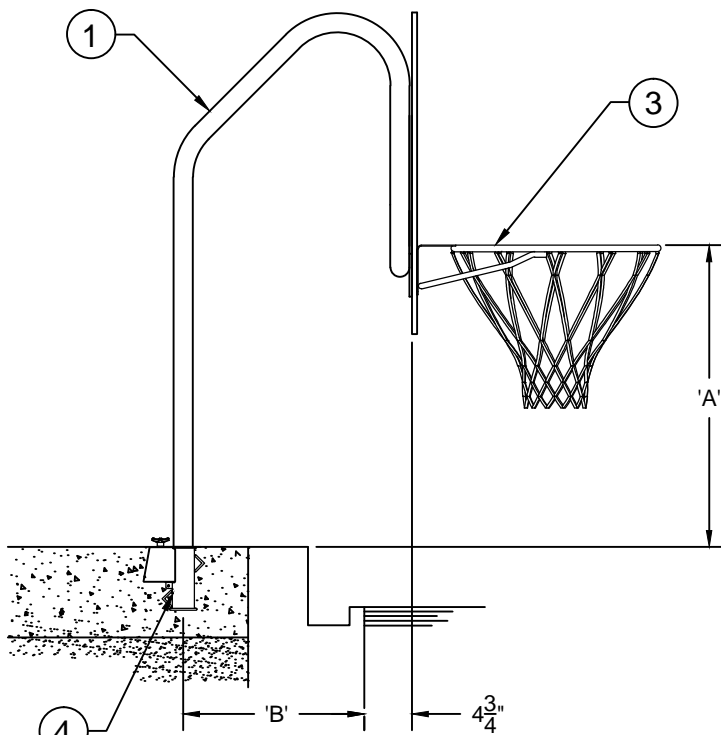
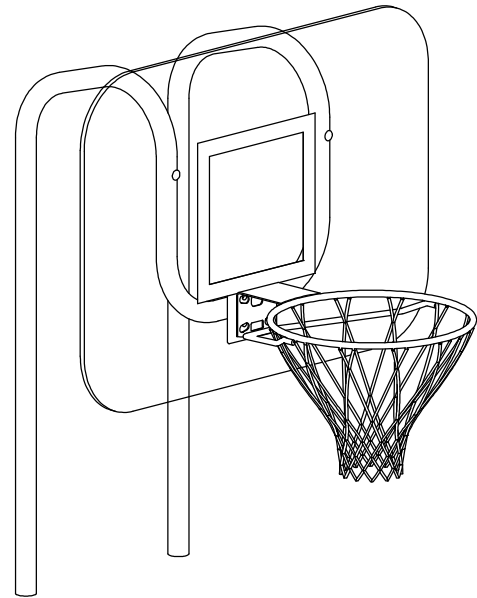


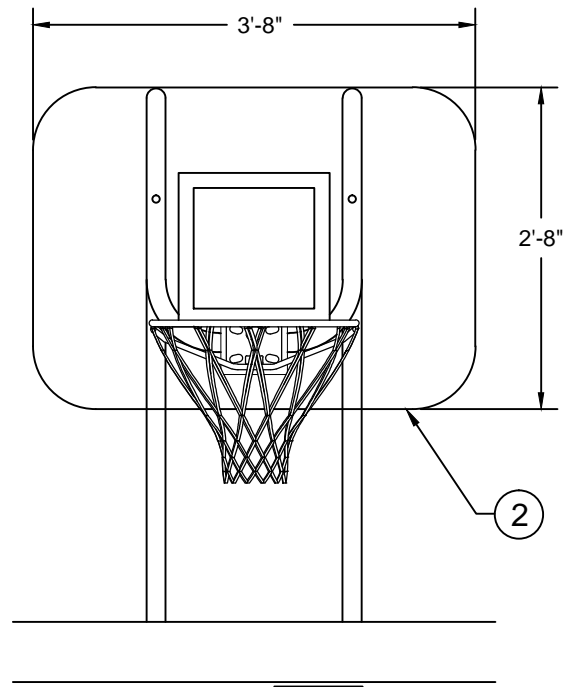
Water Basketball Hoop (Competitor)



PLAN VIEW



FRONT VIEW



SIDE VIEW

The data represents the latest knowledge available to us at time of presentation. However, Paragon Aquatics and others involved in gathering and presenting this drawing assume no liability for its use.



**PARAGON
AQUATICS**
Pentair Water
Commercial Pool & Aquatics

1351 Route 55
LaGrangeville, New York
12540
Phone: 845-463-7200
Fax: 845-463-7291
www.paragonaquatics.com

Drawn by: RV	Date: 2/8/16	Approved by: AL	Date: 2/8/16
Sheet Title: Water Basketball Hoop (Competitor)			
Drawing Number: SS-WBH20.72	Revision Letter: B	Sheet: 1 of 2	

Water Basketball Hoop (Competitor)

Specifications

- ① The Competitor Water Basketball Goal pedestal shall be manufactured of 1.90" x .109" wall thickness Type 304 stainless steel polished to a 320 grit finish. The backboard attachment plate shall be made of 1/4" thick T304 stainless steel polished to a 320 grit finish.
- ② The backboard (44" x 32") shall be constructed of 1/2" thick clear polycarbonate with rounded corners. A red shooter's square shall be provided on the backboard. Hardware shall be provided to attached the backboard to the superstructure.
- ③ A standard 18" diameter spring loaded basketball rim, net and respective hardware shall be included.
- ④ The basketball goal shall be anchored to the patented taper-lock 6" Dual Wedge Competitor anchor socket, ID #23103DW, and shall be removable without the use of tools.

General

The stainless steel frame shall be electro-chemically passivated on all worked areas for maximum corrosion resistance. All hardware shall be 18-8 stainless steel. Custom designs and modifications are available upon request.

Selector Chart

'A'	'B'	ID Number
30"	18"	27007
36"	18"	27008
42"	24"	27009
48"	24"	27010
54"	36"	27011
60"	36"	27012
**	**	27015

** 'A' dimension can vary between 30" and 60". 'B' dimension can vary between 18" and 36".
Dimensions must be specified at time of order.

Sizing Information (See drawing on reverse side)

- 1- "A" dimension shall be the vertical dimension from the top of the anchor socket at deck level to the top of the rim.
- 2- "B" dimension shall be the horizontal dimension from the pool wall to the center of the anchor socket.

Accessories

ID Number	Description
23103DW	6" Dual Wedge Competitor anchor socket assembly
27000	Clear Polycarbonate backboard
27013	Spring loaded basketball rim with net and hardware

The data represents the latest knowledge available to us at time of presentation. However, Paragon Aquatics and others involved in gathering and presenting this drawing assume no liability for its use.

© Pentair 2016



**PARAGON
AQUATICS**
Pentair Water
Commercial Pool & Aquatics

1351 Route 55
LaGrangeville, New York
12540
Phone: 845-463-7200
Fax: 845-463-7291
www.paragonaquatics.com

Drawn by: RV	Date: 2/8/16	Approved by: AL	Date: 2/8/16
Sheet Title: Water Basketball Hoop (Competitor)			
Drawing Number: SS-WBH20.72	Revision Letter: B	Sheet: 2 of 2	