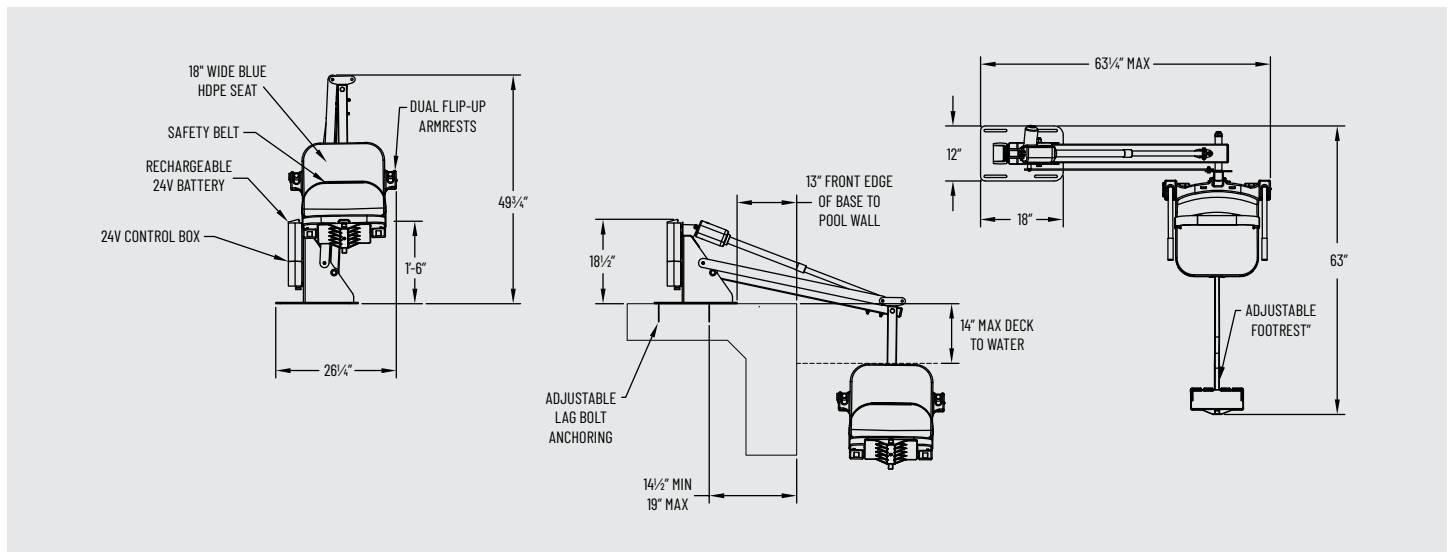


AQUATRAM LT-2 LIFT



Features and Benefits

1. Ultra-compact design has low height, uses minimal deck space and does not extend into the water when not in use. Accommodates most pools with a deck-to-water (d-w) dimension up to 14".
2. ADA-Compliant; lifting capacity: 350 lbs.
3. Lag bolt anchoring allows quick removal with tools.
4. Dual flip-up armrests provide easier access and safer transfers on the pool deck and in the water.
5. Comfortable seat has an adjustable lap belt with hook-and-loop fasteners, plus an adjustable and removable footrest.
6. Simple 2-button submersible handset lets the user raise and lower while seated or from the pool edge.
7. Stainless steel construction with corrosion-resistant, powder-coat finish.
8. Rechargeable battery-powered operation is easier to install than water-powered lifts; provides a smoother ride, greater reliability and easier servicing with plug-and-play components.
9. Standard models are "Right-Facing" as shown. "Left-Facing" (Reversed) can be converted in the field as needed.

