



# AQUATRAM® 90+

## ADA-COMPLIANT POOL ACCESS LIFT

Choose the only ADA Compliant lift that's backed by Pentair's commitment to help people enjoy water, the world over. When you install an AquaTRAM 90+ lift, you provide safer, easier swimming pool access for swimmers with physical disabilities. If a 90° rotation is required, the AquaTRAM 90+ lift will fit your budget comfortably. And with the backing of the industry leader, Pentair Commercial Aquatics™, there's every reason to feel confident about the quality of your purchase.



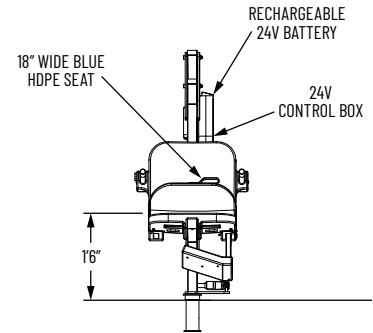
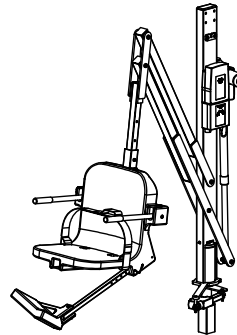
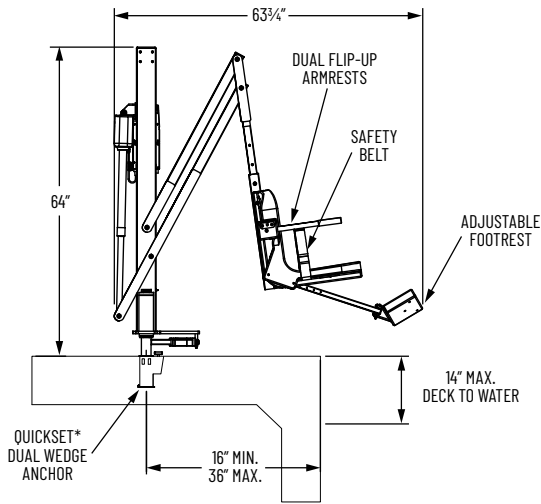
### STANDARD FEATURES

- Most versatile lift available.
- Rotates 90° to the left and right for easy access.
- Improved reach to clear spa benches and most gutter types.
- Two anchor models (Quickset square and round).
- Retrofit easily to existing anchors.
- Fully compliant with ADA guidelines.
- Lifting capacity is 400 lbs.
- Stainless steel, powder-coated construction.
- Solar option ready.

# AQUATRAM® 90+

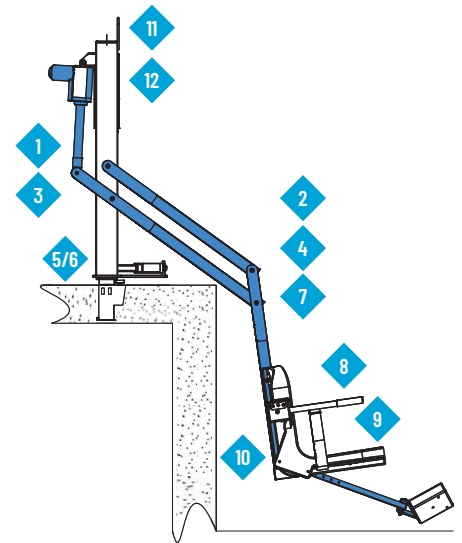
## ADA-COMPLIANT POOL ACCESS LIFT

### AQUATRAM 90+ LIFT



### FEATURES AND BENEFITS

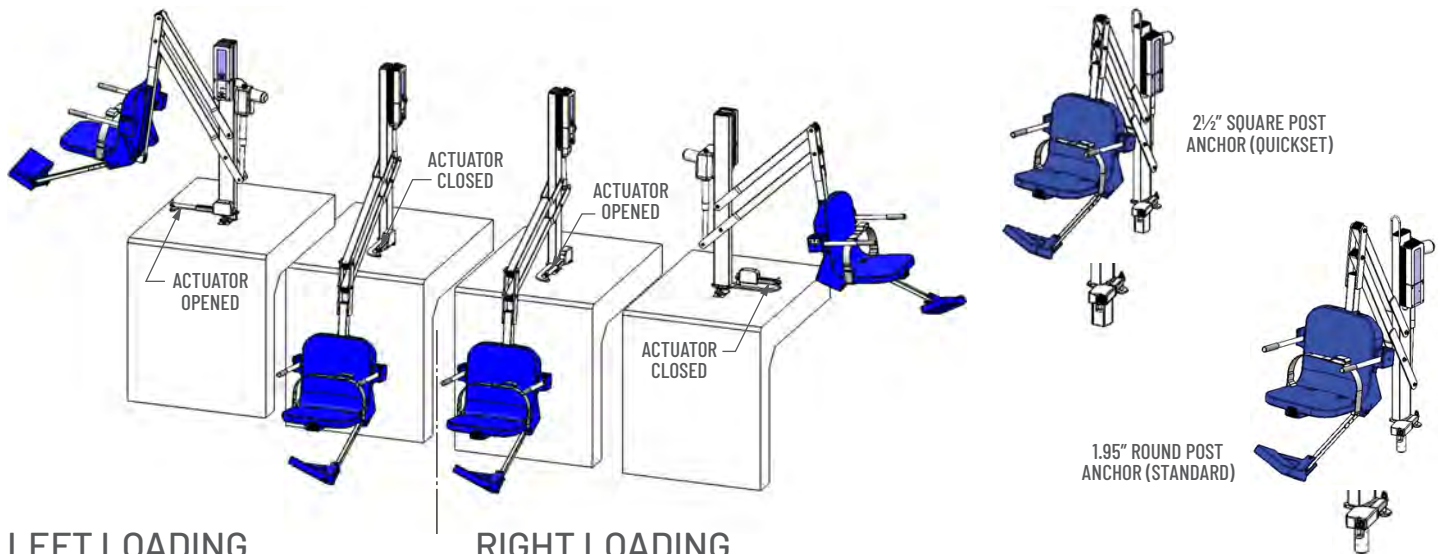
1. Unique, versatile and cost-effective design accommodates most pools with a deck-to-water (d-w) dimension up to 14".
2. ADA Compliant; Lifting Capacity: 400 lbs.
3. Reversible design rotates 90°. The same model number can be installed "Right-Facing" or "Left-Facing" by rotating the lift 90° in its anchor.
4. Superior Reach and Versatile Anchor Placement:
  - A. Can clear an 18" Built-In (Spa) Bench when installed with an 18" anchor set-back\* (at 6" d-w).
  - B. Can accommodate anchor set-back\* of 16"-36" for "Square" Pool Profiles (with max. d-w).
  - C. Can accommodate up to 36" anchor set-back\* for typical "Roll-Out" Gutter Profile (based on 6" d-w dimension).
  - D. Consult with the factory for assistance with your application.
5. Quickset model (11420) has a 2½" square port penetration for use with Paragon Dual-Wedge, tool-less, clamping anchor which, also retrofits into existing 2½" sq. x 6" deep anchors.
6. Round post model (11421) has a 1.90" OD Round post X 6" deep penetration. The lift may be purchased with anchor or can retrofit into many existing anchor systems\*\*.
7. Lightweight; easy to move and store when not in use. Optional cart is available.
8. Dual flip-up armrests provide easier access and safer transfers on the pool deck and in the water.
9. The comfortable seat has an adjustable lap belt with hook-and-loop fasteners, plus an adjustable and removable footrest.
10. Simple 4-button submersible handset lets the user raise, lower, and rotate while seated or from the pool edge.
11. Stainless steel construction with corrosion-resistant epoxy powder-coat finish.
12. Rechargeable battery-powered operation is easier to install than water-powered lifts; provides a smoother ride, greater reliability and easier servicing with plug-and-play components.



\*Set-back dimension, as referenced herein, is from pool wall to centerline of anchor. All clearance dimensions presented are estimated and are affected by d-w, deck obstructions and other physical characteristics of the specific application.

\*\*For retrofit, the existing anchor must be designed to accept a 1.90" diameter x 6" long round post penetration and the entire anchor system must be designed to withstand the resulting loads applied by lift under full capacity. Adapter kits are available for existing 2¾", 2½", and 2⅝" round anchors. In new installations, the anchor should be installed in a deck or footing as specified in the Installation and User's Guide (3' 3" x 3' 3" x 10" thick at time of this printing.)

## AQUATRAM® 90+ ROTATION

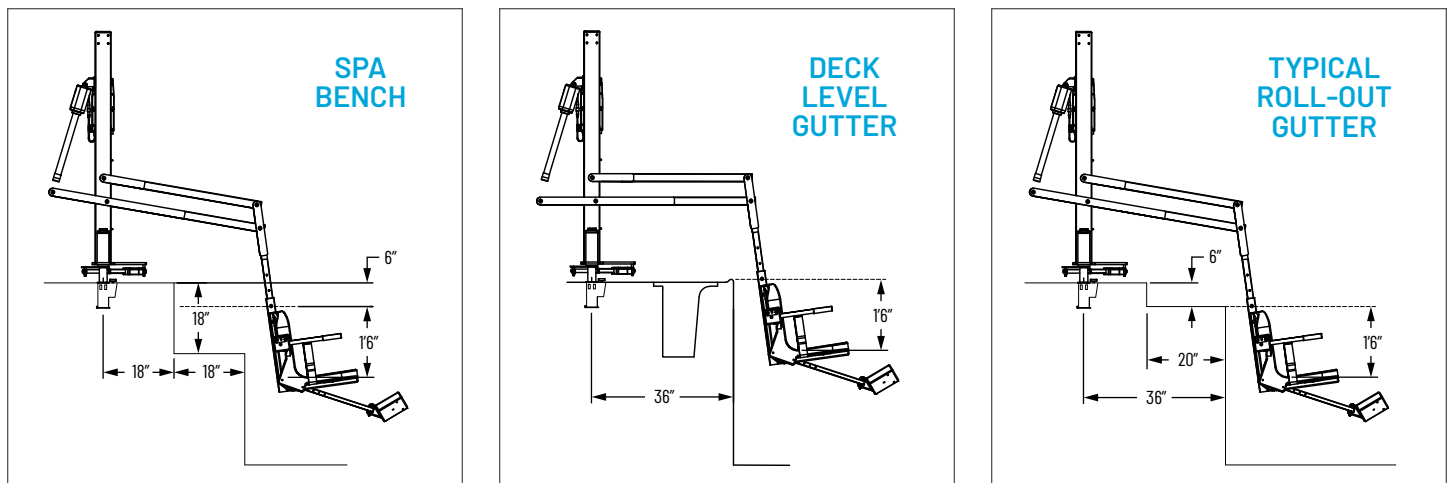


### LEFT LOADING

To reverse the loading position, turn the post 90° CCW from the "left" side to allow loading on the right side.

### RIGHT LOADING

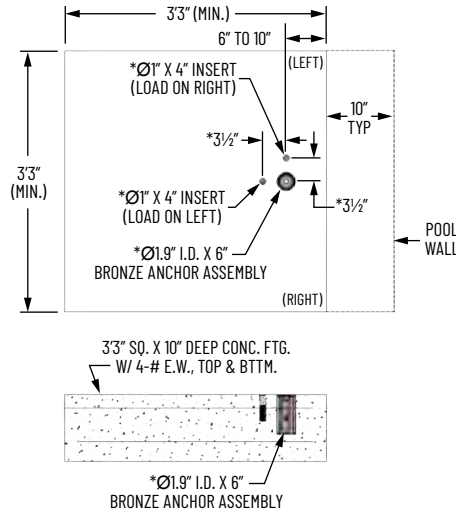
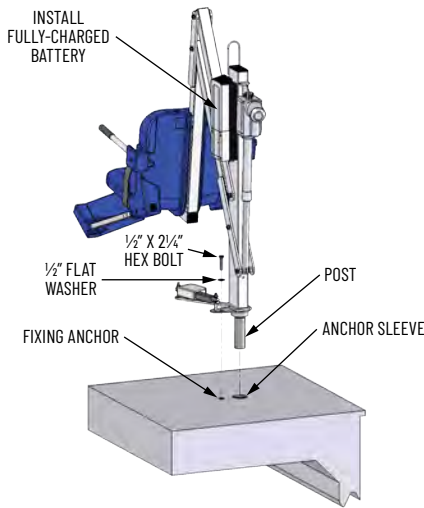
## AQUATRAM 90+ REACH/CLEARANCE



- A. Can clear an 18" Built-In (Spa) Bench when installed with an 18" anchor set-back\* (at 6" d-w).
- B. Can accommodate anchor set-back\* of 16"-36" for "Square" Pool Profiles (with max d-w).
- C. Can accommodate up to 36" anchor set-back\* for typical "Roll-Out" Gutter Profile (based on 6" d-w dimensions).
- D. Consult with factory for assistance with your application.

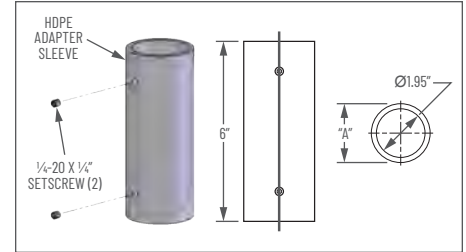
\*Set-back dimension, as referenced herein, is from pool wall to centerline of anchor. All clearance dimensions presented are estimated and are affected by d-w, deck obstructions and other physical characteristics of the specific application.

# AQUATRAM® 90+ ADA & RETROFIT

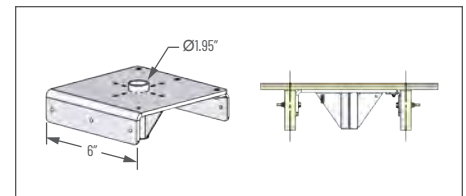


| KIT NUMBER | TO FIT ANCHOR | OUTER DIA. "A"   |
|------------|---------------|------------------|
| 11240      | Elkhorn       | 2 3/8"           |
| 11241      | LifeGuard     | 2 1/2"           |
| 11242      | Hoyer         | 2 5/8"           |
| 11243      | Wood Deck     | 16" Joist Hanger |

## ROUND ANCHOR KIT



## WOOD DECK KIT



## LIFT SPECIFICATIONS

| FEATURES AND BENEFITS  | AQUATRAM 90+      |
|--|-------------------|
| Lifting capacity   | 400 lbs.          |
| ADA Compliant  | ✓                 |
| Rotation for tight-area access   | 90° right or left |
| Boom arm design adapts to the most demanding and specialized applications; superb reach and wall clearance | ✓                 |
| Can serve 2 adjoining pools with 1 lift  |                   |
| Low profile design uses minimal deck space   | ✓                 |
| 22" wide seat standard   |                   |
| Compact and lightweight, fits through most doorways  | ✓                 |
| Secure in-deck anchoring with patented design; tool-free removal; portable with optional Transport Cart    | ✓                 |
| Secure Docking Bar included to secure in place per ADA requirement   |                   |
| Lag bolt anchoring, quick removal with tools; portable with optional Transport Cart                        |                   |
| Dual flip-up armrests for easier access and safer transfers  | ✓                 |
| Adjustable & removable footrest fits users across a wide range of sizes                                    | ✓                 |
| Adjustable lap belt with hook & eye fastening  | ✓                 |
| Easy-to-use Slim Line controls can be operated from seat or pool ledge                                     | ✓                 |
| Stainless steel construction, durable powder-coat finish   | ✓                 |
| Battery-operated; easier to install & smoother transport than water power                                  | ✓                 |
| Slim, one-piece 24v rechargeable battery   | ✓                 |
| Submersible remote   | ✓                 |
| 5-year Limited Warranty  | ✓                 |

## ORDERING INFORMATION

| PART #  | DESCRIPTION                                      |
|---------|--|
| 11420   | AquaTRAM 90+ Lift w/ Quickset Dual Wedge Anchor  |
| 11420-A | AquaTRAM 90+ Lift w/o Quickset Dual Wedge Anchor |
| 11421   | AquaTRAM 90+ Lift for Round Anchor Post w/Anchor |
| 11421-A | AquaTRAM 90+ Lift for Round Anchor w/o Anchor    |
| 11343   | AquaTRAM 90+ Lift Cover                          |
| 11225   | AquaTRAM 90+ Lift Transport Cart                 |
| 11226   | AquaTRAM 90+ Anchor for Round Post Model         |
| 11202   | AquaTRAM 90+ Anchor for Square Post Anchor       |
| 11240   | 2 1/2"OD x 1.95"ID Anchor Adapter Sleeve         |
| 11241   | 2 3/8"OD x 1.95"ID Anchor Adapter Sleeve         |
| 11242   | 2 5/8"OD x 1.95"ID Anchor Adapter Sleeve         |
| 11243   | Round Anchor for Wood Framed Deck                |
| 11440   | Solar Charging Kit                               |

## OTHER AQUATRAM LIFTS FROM PENTAIR



1620 Hawkins Ave | Sanford, NC 27330 | United States | 800.831.7133 | pentair.com

All indicated Pentair trademarks and logos are property of Pentair Inc. or its global affiliates in the U.S.A. and/or other countries. Third party registered and unregistered trademarks and logos are the property of their respective owners.

PCA-115 11/20 © 2020 Pentair. All Rights Reserved.