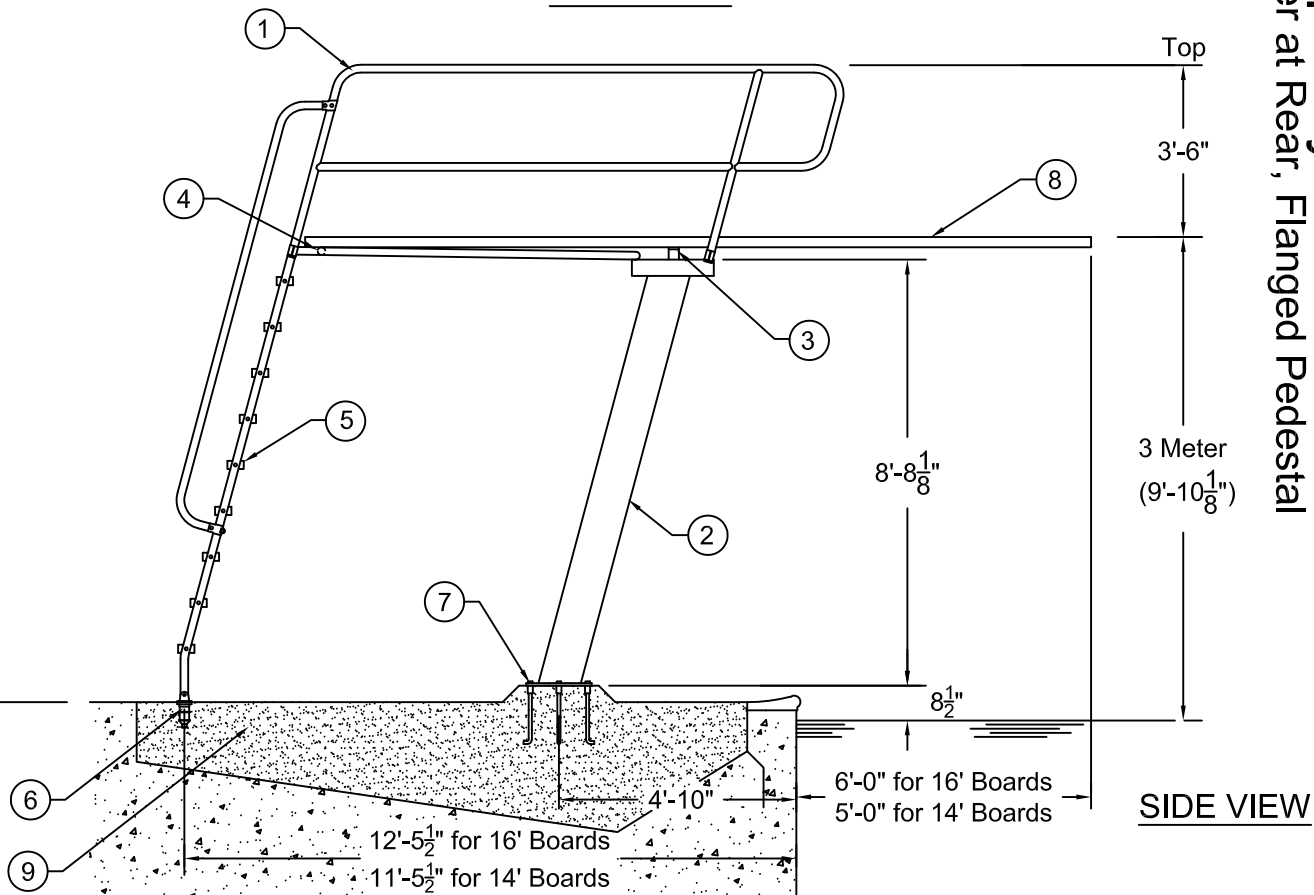
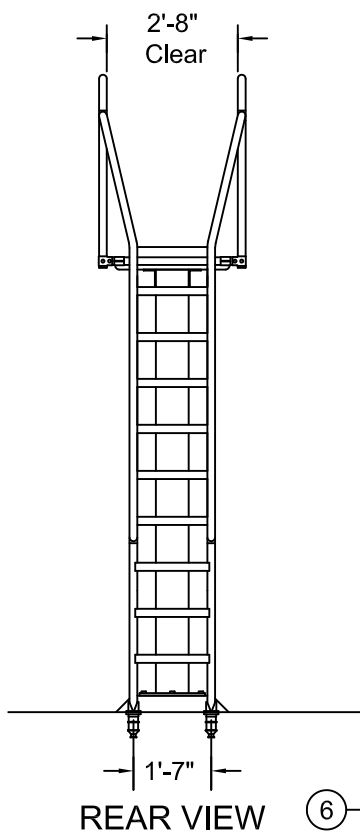
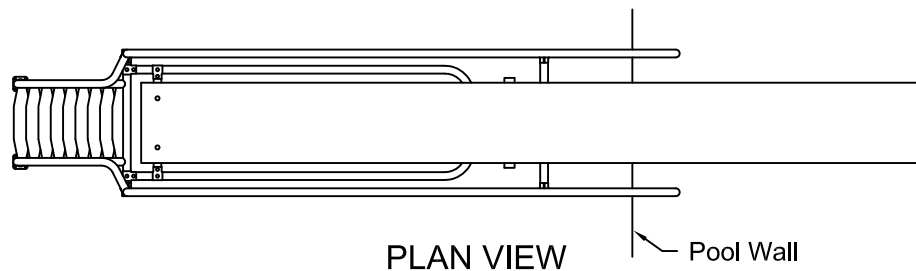
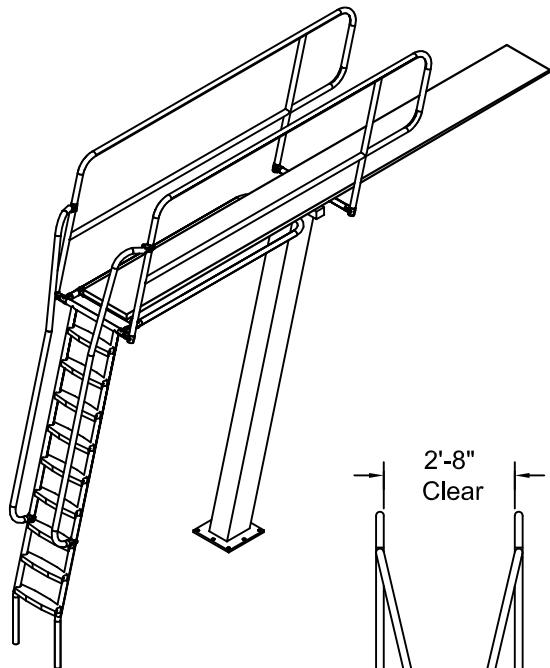


# 3M Sportflyte Dive Tower, Ladder at Rear, Flanged Pedestal

## 3M Sportflyte Dive Tower Ladder at Rear, Flanged Pedestal



The data represents the latest knowledge available to us at time of presentation. However, Paragon Aquatics and others involved in gathering and presenting this drawing assume no liability for its use.

© 2008 Paragon Aquatics



**PARAGON  
AQUATICS**  
Pentair Water  
Commercial Pool & Aquatics

1351 Route 55  
LaGrangeville, New York  
12540  
Phone: 845-463-7200  
Fax: 845-463-7291  
www.paragonaquatics.com

Drawn by: <b>JMM</b>	Date: <b>6/27/08</b>	Approved by: <b>SF</b>	Date: <b>6/27/08</b>
Sheet Title: <b>3M Sportflyte Dive Tower, Ladder at Rear, Flanged Pedestal</b>			
Drawing Number: <b>SS-DT10.25</b>	Revision Letter: <b>B</b>	Sheet: <b>1 of 2</b>	

# 3M Sportflyte Dive Tower

## Ladder at Rear, Flanged Pedestal

### Part Numbers

Diving Board Type	Part Number
16' Board	13501
14' Board	13502

### Specifications

- ① The superstructure of the diving tower shall be fabricated of ASTM A-554 certified, 1.90" OD, Type 304 stainless steel polished to a 320 grit finish. For all models the back brace and rear support bar shall be made of 1.90" OD x .145" material, the remainder of the rails shall be made of 1.90" OD x .065" material.
- ② The Front Support Pedestal shall be constructed of carbon steel with a primer paint coating (rust colored). The pedestal shall be constructed of 10" x 8" x 3/16" thick rectangular pipe. The bottom pedestal flange shall have eight (8) 1" diameter holes for mounting.
- ③ The fulcrum assembly shall be a 2 1/2" square stainless steel tube covered with a 1/2" thick neoprene rubber pad. The fulcrum range shall be capable of being located over a 12" range.
- ④ The diving board shall attach at the rear using 1/2"-13x 5 1/2" carriage bolts through the 1.90" OD x .145" rear support bar.
- ⑤ Mounting steps shall be made of white, UV stabilized, ABS plastic with an integral, non-skid surface. The steps shall fit a 19" post spacing (center to center) and have a 4" tread depth.
- ⑥ Rear Anchor Deluxe shall be two piece construction comprised of a cast bronze body with a chrome plated cast bronze flange cap.
- ⑦ Pedestal Anchor Bolt Assembly shall consist of eight (8) 1/2" "J" bolts and bushings, fully embedded in concrete. The "J" bolts and bushing shall be made of carbon steel. Other materials and anchoring configurations are available upon request.
- ⑧ Diving board is not included, to be purchased separately. Diving board length and make shall be specified at the time of order. Please consult both national and local codes before selecting a board.
- ⑨ Anchor footing shall be concrete and designed to resist applied loading to the tower from use. These loads include a 4,500 lb vertical load and a 9,000 ft.-lb. moment at the front anchor, and a combined upward vertical load of 1,500 lbs. at the rear anchors.

### General

The stainless steel frame shall be electro-chemically passivated on all worked areas for maximum corrosion resistance. All hardware shall be 18-8 stainless steel. Custom designs and modifications are available upon request.

The data represents the latest knowledge available to us at time of presentation. However, Paragon Aquatics and others involved in gathering and presenting this drawing assume no liability for its use.

© 2008 Paragon Aquatics



**PARAGON  
AQUATICS**  
Pentair Water  
Commercial Pool & Aquatics

1351 Route 55  
LaGrangeville, New York  
12540  
Phone: 845-463-7200  
Fax: 845-463-7291  
www.paragonaquatics.com

Drawn by: <b>JMM</b>	Date: <b>6/27/08</b>	Approved by: <b>SF</b>	Date: <b>6/27/08</b>
Sheet Title: <b>3M Sportflyte Dive Tower, Ladder at Rear, Flanged Pedestal</b>			
Drawing Number: <b>SS-DT10.25</b>	Revision Letter: <b>B</b>	Sheet: <b>2 of 2</b>	