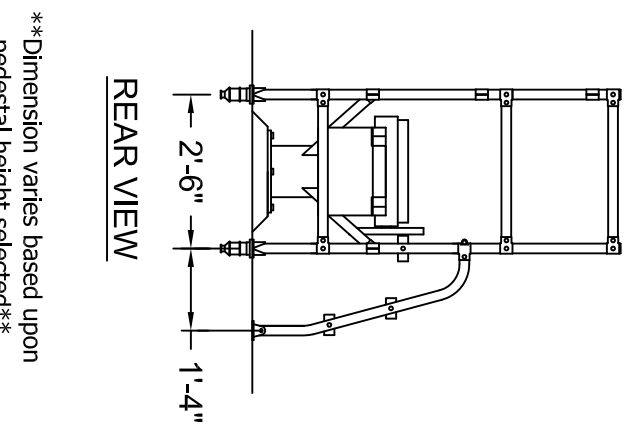
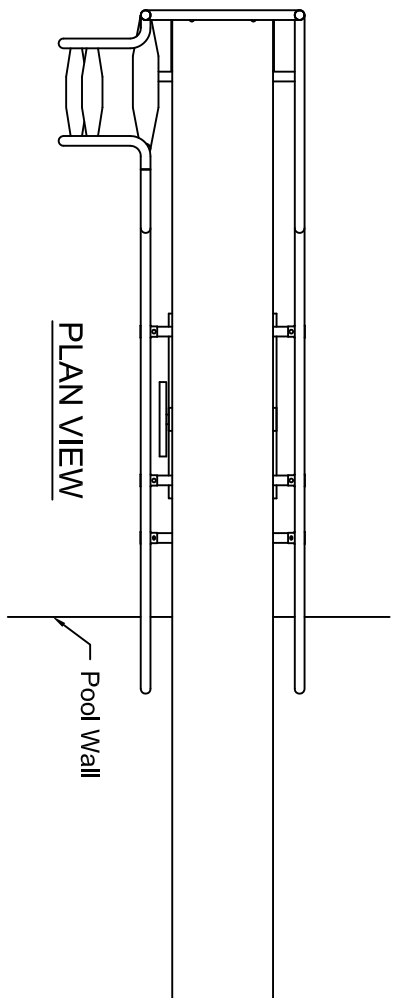
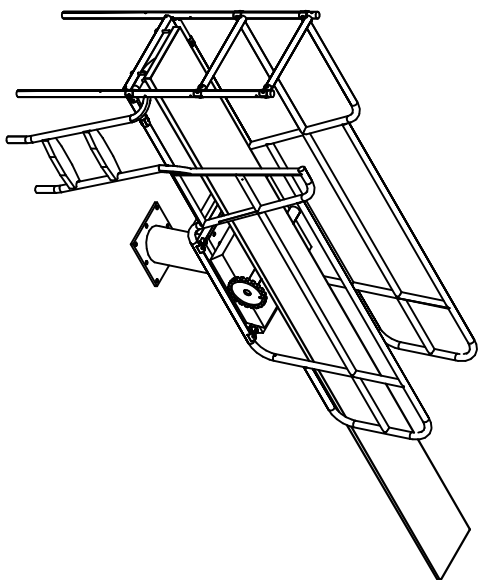
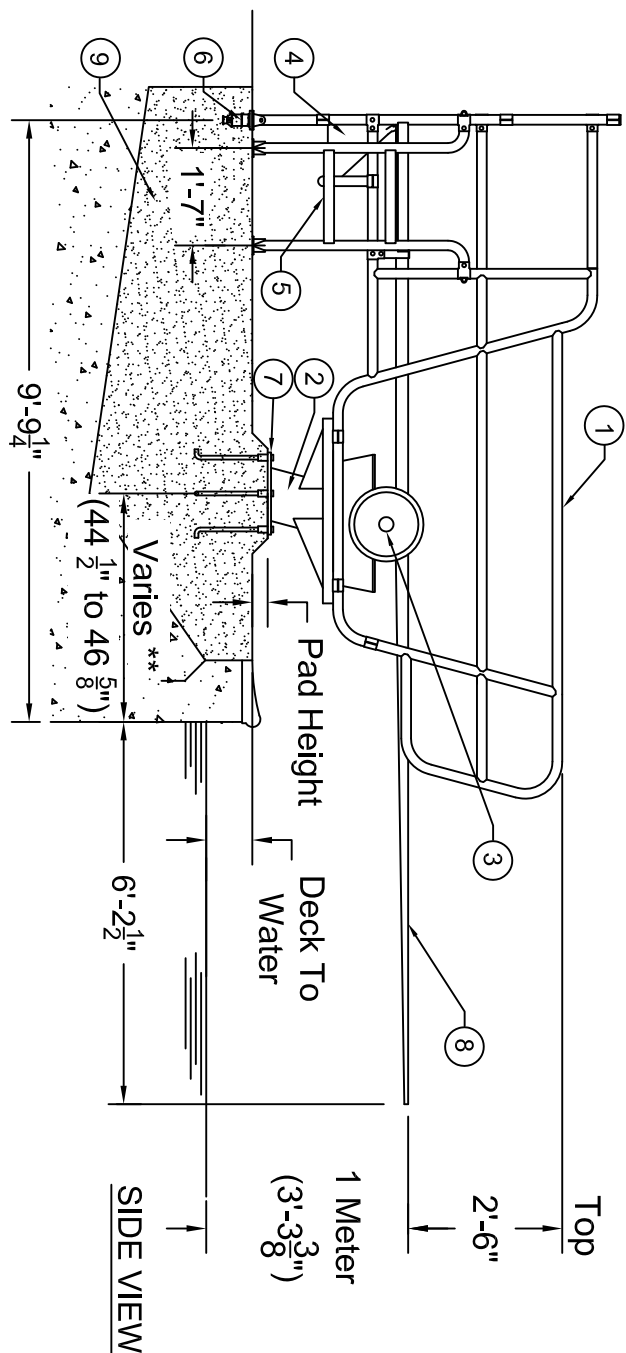


1M Duradapt Dive Tower, Ladder at Side



Dimension varies based upon pedestal height selected



1M Duradapt Dive Tower

The data represents the latest knowledge available to us at time of presentation. However, Paragon Aquatics and others involved in gathering and presenting this drawing assume no liability for its use.

© 2008 Paragon Aquatics



PARAGON AQUATICS
 Rental Water
 Commercial Pool & Aquatics

1351 Route 55
 LaGrangeville, New York
 12540
 Phone: 845-463-7200
 Fax: 845-463-7291
 www.paragonaquatics.com

Drawn by:	SF	Date:	6/27/08	Approved by:	JMM	Date:	6/27/08
Sheet Title:	1M Duradapt Dive Tower, Ladder at Side						
Drawing Number:	SS-DT10.03S						
Revision Letter:	C	Sheet:	1 of 2				

1M Duradapt Dive Tower

Ladder at Side

Part Numbers

Diving Board Type	Ultraflyte	Superflyte
16' Duraflex	12003	12004
16' Maxiflex	12003	12004

Specifications

- ① The superstructure of the diving tower shall be fabricated of ASTM A-554 certified, 1.90" OD, Type 304 stainless steel polished to a 320 grit. For Ultraflyte models, all members shall be made of 1.90" OD x .145" material. For Superflyte models, the ladder risers and rear legs shall be made of 1.90" OD x .109" material, with all other members being made of 1.90" OD x .065" material.
- ② The Front Support Pedestal shall be constructed of carbon steel with a primer paint coating (rust colored). The pedestal shall be constructed of 10" x .25" thick pipe (10 5/8" OD). The bottom pedestal flange shall have eight (8) 1" diameter holes for mounting.
- ③ The adjustable fulcrum shall consist of a heavy base casting with tracks, a roller tube, slides and an adjusting wheel. The base casting and adjusting wheel shall be of heavy, cast aluminum finished in baked epoxy. The roller tubes and tracks shall be extruded aluminum finished in hard anodizing. The bearings for the roller tube and slides shall be adjustable and replaceable. Adjustable fulcrum shall be as manufactured by Durafirm. (not included)
- ④ The diving board shall attach at the rear using Duraflex swivel assembly, which serves to relieve stresses when diving board is in use.
- ⑤ Mounting steps shall be made of white, UV stabilized, ABS plastic with an integral, non-skid surface. The steps shall fit a 19" post spacing (center to center) and have a 4" tread depth.
- ⑥ Rear Anchor Deluxe shall be two piece construction comprised of a cast bronze body with a chrome plated cast bronze flange cap.
- ⑦ Pedestal Anchor Bolt Assembly shall consist of eight (8) 3/4" "J" bolts and bushings, fully embedded in concrete. The "J" bolts and bushing shall be made of carbon steel. Other materials and anchoring configurations are available upon request.
- ⑧ Only 16' Duraflex and Maxiflex diving boards may be used with this model. Diving board is not included, to be purchased separately. Diving board make shall be specified at the time of order. Please consult both national and local codes before selecting a board.
- ⑨ Anchor footing shall be concrete and designed to resist applied loading to the tower from use. These loads include a 4,200 lb vertical load and a 2,000 ft.-lb. moment at the front anchor, and a combined upward vertical load of 1,800 lbs. at the rear anchors.

General

The stainless steel frame shall be electro-chemically passivated on all worked areas for maximum corrosion resistance. All hardware shall be 18-8 stainless steel. Custom designs and modifications are available upon request.

Accessories

24111-1 Durafirm Adjustable Fulcrum and Rear Swivel Assembly

© 2008 Paragon Aquatics
The data represents the latest knowledge available to us at time of presentation. However, Paragon Aquatics and others involved in gathering and presenting this drawing assume no liability for its use.



PARAGON AQUATICS
Pentair Water
Commercial Pool & Aquatics
1351 Route 55
LaGrangeville, New York
12540
Phone: 845-463-7200
Fax: 845-463-7291
www.paragonaquatics.com

Drawn **SF** Date: 6/27/08
by: **SF** Date: 6/27/08
Approved **JMM** Date: 6/27/08
Sheet Title: 1M Duradapt Dive Tower, Ladder at Side
Drawing Number: **SS-DT10.03S**
Revision **C** Letter: **C**
Sheet: 2 of 2