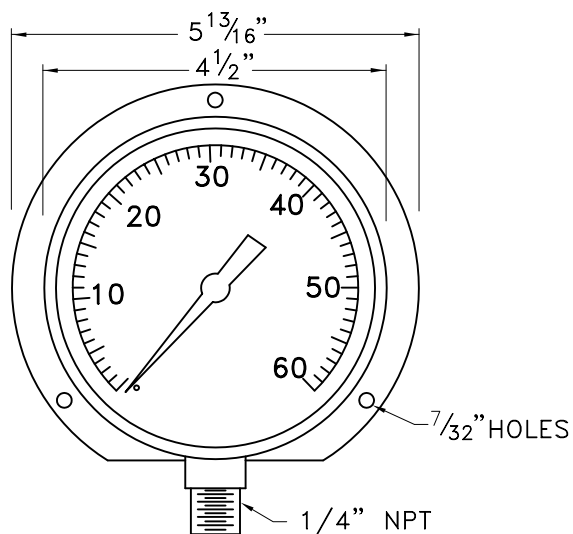
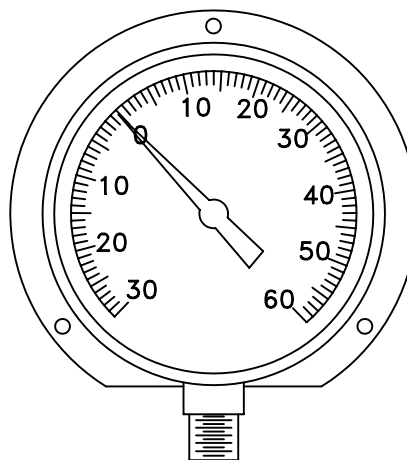


PRESSURE GAUGES



PRESSURE GAUGE



PRESSURE/VACUUM GAUGE

RANGE	PART NO.
0-60 PSI	150707050C
0-100 PSI	150707040C
0-160 PSI	-
30"-0-60 PSI	150707030C
30"-0-100 PSI	150707010C
30"-0	150707020C

SERVICE: DESIGNED TO MEET THE REQUIREMENTS OF HEATING, AIR CONDITIONING, AND PLUMBING CONTRACTORS AND EQUIPMENT MANUFACTURERS.

CASE: STAINLESS STEEL CASE WITH SHATTER RESISTANT CRYSTAL

DIAL: HEAVY GAUGE ALUMINUM WITH BLACK LITHOGRAPHED LINES AND NUMERALS ON WHITE BACKGROUND.

POINTER: LIGHTWEIGHT BALANCED CONSTRUCTION WITH ADJUSTABLE FEATURE.

MOVEMENT: HEAVY DUTY BRASS CONSTRUCTION

BOURDON TUBE: PHOSPHOR BRONZE. LARGE BORE TUBING USED TO INSURE LONGER LIFE OF GAUGE. SILVER SOLDERED TO SOCKET AND TIP. STRESS RELIEVED. VACUUM TUBE IS SOFT SOLDERED TO SOCKET.

ACCURACY: CONFORMS WITH ANSI B40.1 ACCURACY GRADE A- 1% MID SCALE

