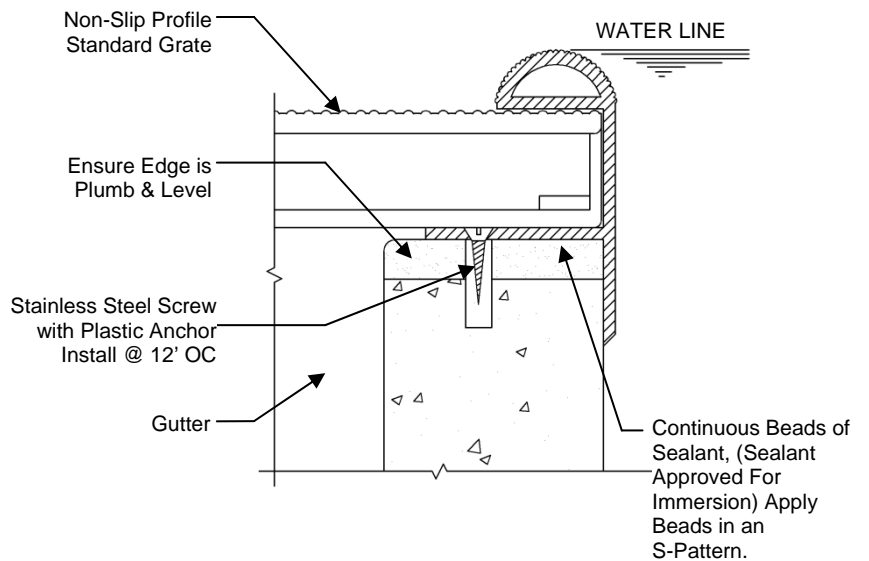
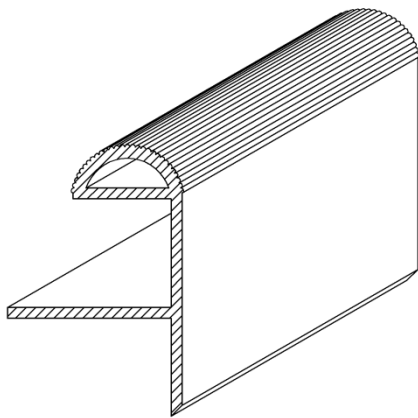


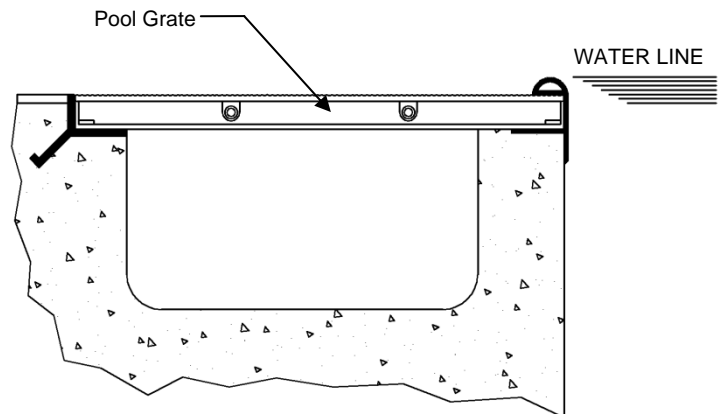
END VIEW



DETAIL



ISOMETRIC VIEW



ELEVATION VIEW

Hand hold grate bracket made of extruded, UV stabilized, rigid PVC for 1 inch grate. An overall height and width of 1-1/2" from the base, and a down section of 1 inch to counter any force by use of the hand hold bracket. The curved section of the hand hold bracket shall fit all 1 inch thick grates snugly and be fastened down by a 1-1/4" drop-in, stainless steel anchor every 12" to ensure stability.

HAND HOLD ORDERING INFORMATION	
Part Number	Description
HH-WT	HAND HOLD - WHITE 85401

General Notes:

- Part numbers represent white only.
- Available colors are white (WT), bone (BO), and gray (GY).

All drawing dimensions supplied by Neptune-Benson, LLC are for reference only. All drawings were created using AutoCAD file format (*.dwg) and are presented as a service to our customers. Errors sometimes occur during this process and with software incompatibility upon opening a file. Neptune-Benson, LLC and/or any authorized distributor of our products will not be held responsible for problems arising from files which have been converted and does not warranty the documents against deficiencies or typographical errors of any kind. We recommend that all measurements are verified with actual physical product before any custom fabrication in the field occurs.

12/3/14