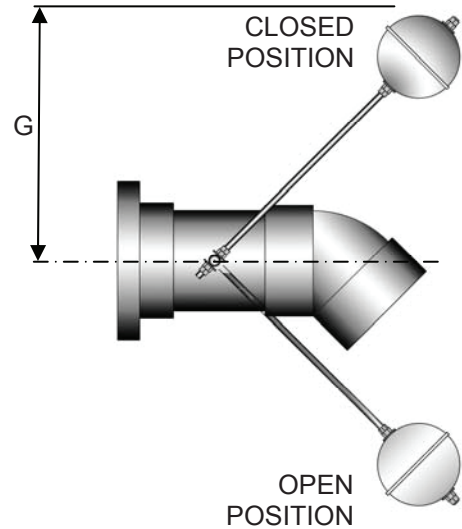
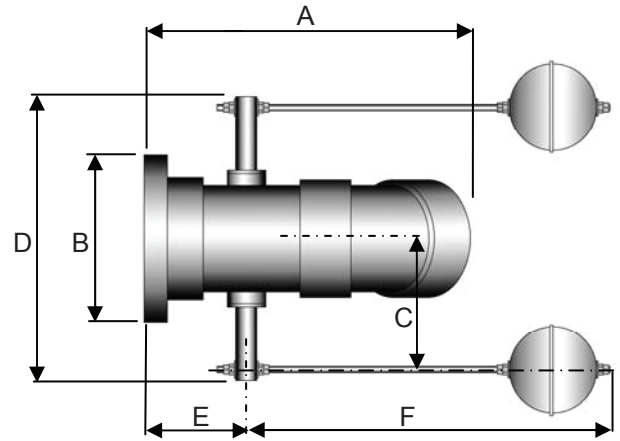


TECHNICAL SPECIFICATIONS

- A. Float operated modulating valve shall be designed for submerged service.
- B. The housing body shall be fabricated using Sch. 80 PVC pipe with Sch. 80 PVC van stone flanges. The internal wafer shall be 12 gauge T304L material and positioned with 1/8" ($\pm 1/16"$) clearance around the perimeter. The body shall also incorporate an interior stop plate constructed of PVC to define the allowable range of arm motion. Close fitting Delrin bushings shall be included on the shaft penetrations of the body to provide a seal against water loss and air entrance.
- C. The valve shaft shall be T304L material 1" in diameter. Float arms shall securely fasten to shaft using T316SS nuts with washers to provide adjustability. Arms shall be 1/2" diameter all thread rod T316SS with length as required.
- D. Ball floats shall be constructed of T304L stainless steel and be 7" in diameter with internal weighting. Floats shall also be adjustable using T316SS nuts with washers as previously described. Provide one (1)/two (2) float arms as shown on the drawings. Valve sizes 14" – 20" shall have 12" diameter cylindrical floats.



All dimensions are in inches								Part Numbers	
Size	A	B	C	D	E	F	G	Dual Float	Single Float
4	13	9	8 1/2	18 1/2	4	29	21	DVYMCAPVC04D	DVYMCAPVC04
6	19 5/8	11	9 1/2	20 1/2	6	29	21	DVYMCAPVC06D	DVYMCAPVC06
8	26 1/4	13 1/2	10 3/4	23	8	29	21	DVYMCAPVC08D	DVYMCAPVC08
10	32 1/2	16	12	25 1/2	10	35	25	DVYMCAPVC10D	-
12	39	19	13 1/2	28 1/2	12	35	25	DVYMCAPVC12D	-
14	51	21	15	31 1/2	18	47	33 1/4	DVYMCAPVC14D	-
16	54	23 1/2	16 1/4	34	18	47	33 1/4	DVYMCAPVC16D	-
18	51	25	17	35 1/2	18	47	33 1/4	DVYMCAPVC18D	-
20	54	21 1/2	18 1/4	38	18	47	33 1/4	DVYMCAPVC20D	-

R-5/6/11

PVC YMCA STYLE BALL FLOAT VALVE

- A. Float operated modulating valve shall be designed for submerged service.
- B. The housing body shall be fabricated using Sch. 80 PVC pipe with Sch. 80 PVC van stone flanges. The internal wafer shall be 12 gauge T304L material and positioned with 1/8" ($\pm 1/16$ ") clearance around the perimeter. The body shall also incorporate an interior stop plate constructed of PVC to define the allowable range of arm motion. Close fitting Delrin bushings shall be included on the shaft penetrations of the body to provide a seal against water loss and air entrance.
- C. The valve shaft shall be T304L material 1" in diameter. Float arms shall securely fasten to shaft using T316SS nuts with washers to provide adjustability. Arms shall be 1/2" diameter all thread rod T316SS with length as required.
- D. Ball floats shall be constructed of T304L stainless steel and be 7" in diameter with internal weighting. Floats shall also be adjustable using T316SS nuts with washers as previously described. Provide one (1)/two (2) float arms as shown on the drawings. Valve sizes 14" – 20" shall have 12" diameter cylindrical floats.
- E. Unit shall be as supplied with connections as indicated on drawing manufactured by Neptune-Benson.