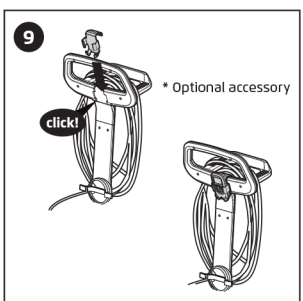
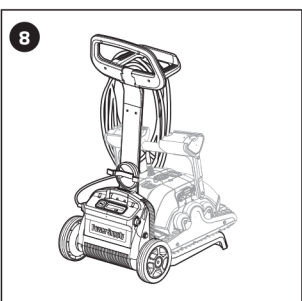
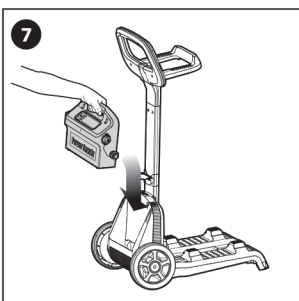
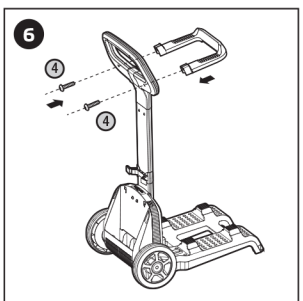
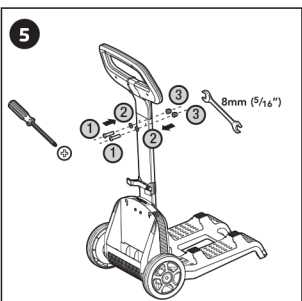
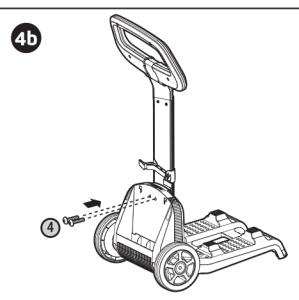
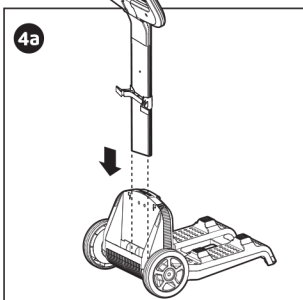
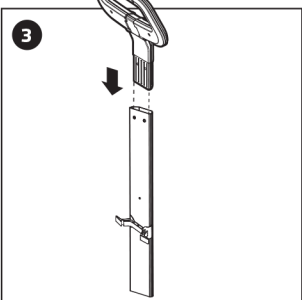
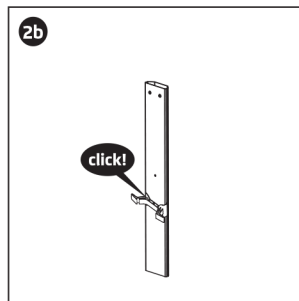
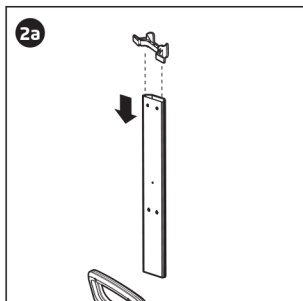
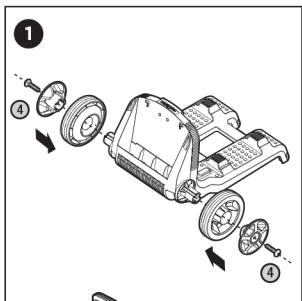



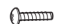


# caddy assembly



- ① DIN 7985 A2 M5X35  x 2
- ② DIN 127B A2 M5  x 2
- ③ DIN 1587 A2 M5  x 2
- ④ WN 1412 A2 KA50X16  x 6



## Quick start guide



### WAVE 100

Thank you for purchasing a Maytronics Robotic Pool Cleaner.

The Robotic Pool Cleaners by Maytronics deliver advanced cleaning technologies, long lasting performance and easy maintenance. You and your family will be free to enjoy swimming with full confidence that your pool is completely clean.

### ⚠ Cautions & Warnings

- Use the originally supplied power supply only.
- Do not use an extension cable in any case whatsoever.
- Ensure the electrical outlet is protected by a ground fault interrupter (GFI) or an earth leakage interrupter.
- Keep the power supply out of standing water.
- Do not enter the pool while the Pool Cleaner is working.
- Unplug the power supply before servicing.
- Do not pull the Pool cleaner from the pool using the cable.
- Use the Pool Cleaner in the following water conditions only: Chlorine Max 4 ppm; pH 7.0 - 7.8; Temperature 6 -34°C (43-93°F); NaCl Maximum = 5000 ppm.
- WARNING: This product contains chemicals known to the State of California to cause cancer, birth defects or other reproductive harm.

**Digital Power Supply**  
 Input: 100-250 AC Volts  
 50-60 Hertz  
 180 Watt  
 Output: <30 VDC  
 IP 54

**Specifications:**  
 Motor protection: IP 68  
 Minimum depth: 0.80m/2.6ft  
 Maximum depth: 5m/16.4ft

### i Helpful hints

- When working, the Power Supply should be placed in the shade.
- If the Dolphin is fitted with combined or wonder brushes, gently squeeze the brushes until they are soaked with water.
- Release minimal required floating cable length to ensure proper pool coverage. Leave excess cable rolled outside the pool.
- After each cleaning cycle wash the filters or cartridge. Clogged filters reduce scanning and cleaning efficiency.
- To remove the kinks stretch the cable out completely and let it sit for at least a day in the sun.
- Store the pool cleaner in a shady place on its Caddy, if not on a caddy, place the pool cleaner upside down.



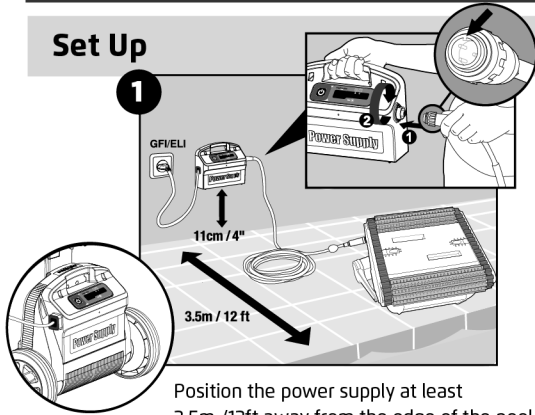
For online product warranty registration:  
[registration.maytronics.com](http://registration.maytronics.com)

For a detailed manual (including videos):  
[manuals.maytronics.com/en/9999096X-US](http://manuals.maytronics.com/en/9999096X-US)

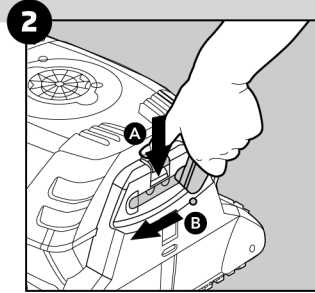


## Robot operation

### Set Up

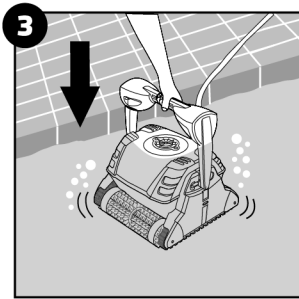


Position the power supply at least 3.5m / 12ft away from the edge of the pool.

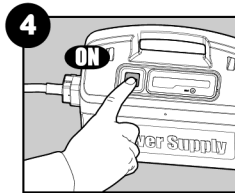


Change the handle position to diagonal. This will determine the speed at which the robot advances along the waterline.

### Into the pool

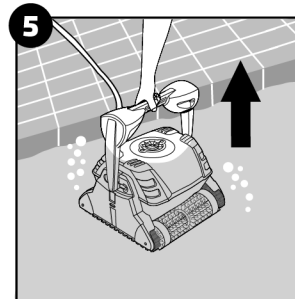


### Operation

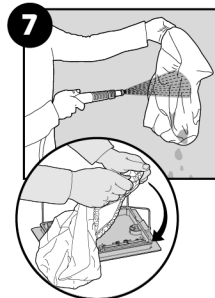
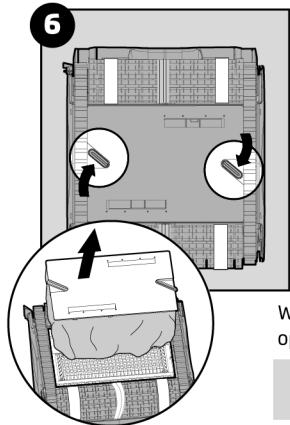


The robot will now begin working for a complete cleaning cycle. At the end of the cycle, it will automatically switch itself off.

### Out of the pool



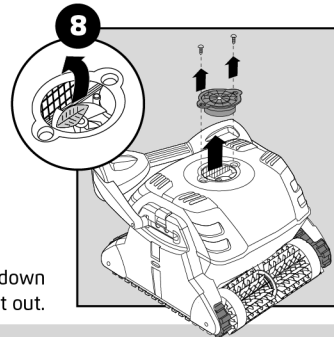
### Cleaning the filter



With the pool cleaner upside down open the bottom lid and pull it out.

### Periodic maintenance

**⚠️ Unplug the power supply before servicing**

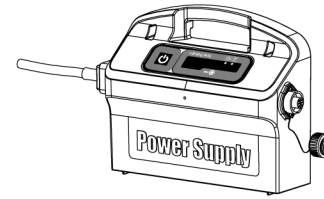


Dismantle the impeller cover and clean around the impeller housing, then reassemble.

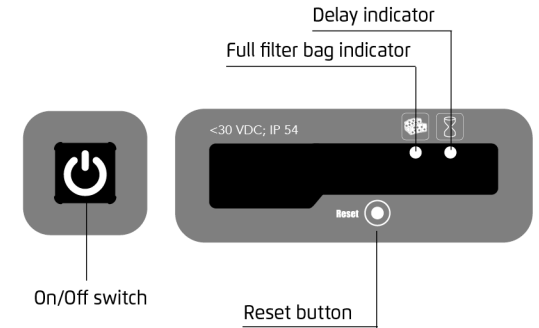
### Storage

**9** Coil the cable and store in a cool, dry place. Do NOT store the robot and its accessories where it will be exposed to direct sunlight, excessive heat or frost.

## Digital power supply



**Digital Power Supply**  
 Input: 100-250 AC Volts  
 50-60 Hertz  
 180 Watt  
 Output: <30 VDC  
 IP 54



### Full filter bag indicator and Reset button

The power supply is equipped with a filter bag status indicator.

- When blinking - The filter is partially blocked.
- When lighted - The filter is blocked and must be emptied and cleaned.

If the LED does not turn off after the filter bag had been emptied and cleaned, press the RESET button while the robot is working.

### Delay indicator

Indicates if the pool cleaner operation has been delayed.

## Remote Control

### Menu screen

