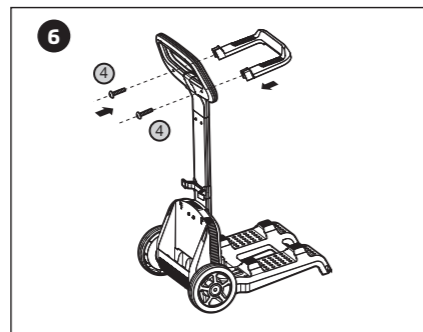
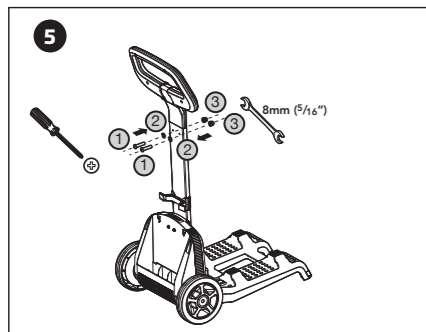
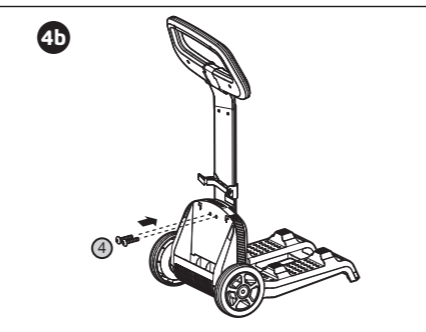
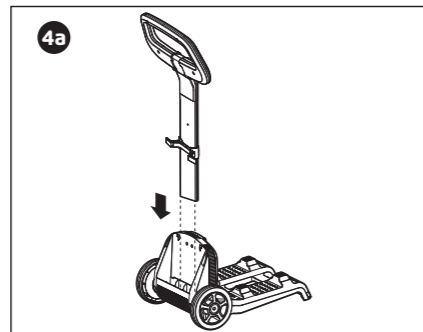
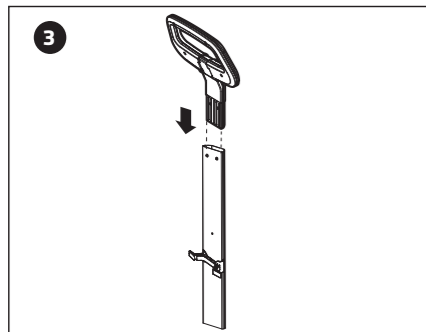
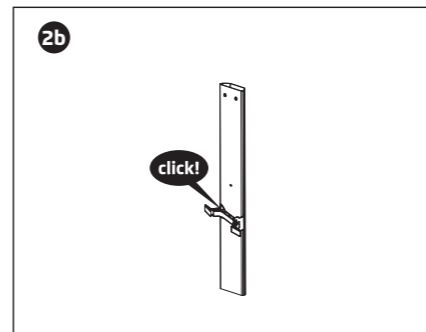
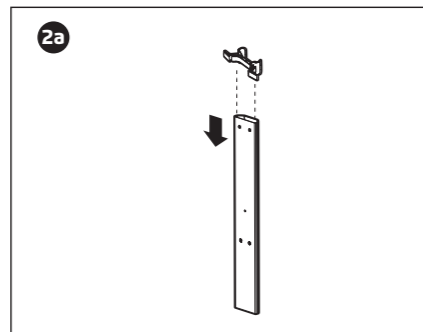
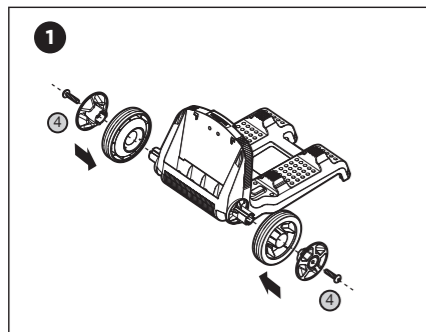
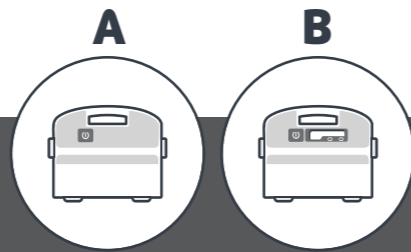
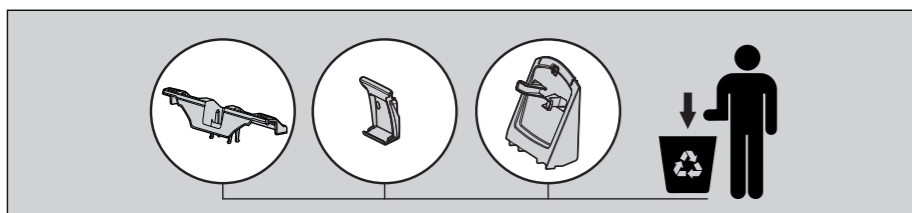
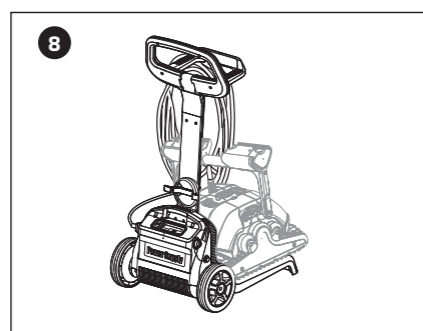
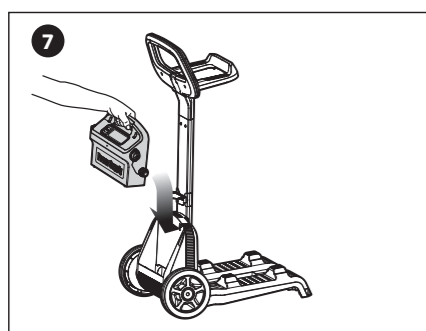


Ballon	9996084-ASSY / 9996085-ASSY	CADDY UNIVERSAL
1	9991098	TOP HANDLE
2	9980675	HANDLE HOOK
3	9980676	PROFILE INSERT
4	9983202	CADDY ADAPTOR FOR POWER SUPPLY
5	4197023-ASSY	PROFILE AL. CADDY + INSERT ASSY
6	9983203	COVER FOR POWER SUPPLY HOUSING
7	9983181	CADDY ADAPTOR S LINE
8	9980672	WHEEL COVER
9	9980670	BASE CADDY
10	9980681	WHEEL FOR CADDY
11	9980678	CABLE HOLDER
A/B/C/D/E/G	9991503-ASSY	SCREWS KIT

## UNIVERSAL CADDY ASSEMBLY FOR MODELS WITH A/B POWER SUPPLY



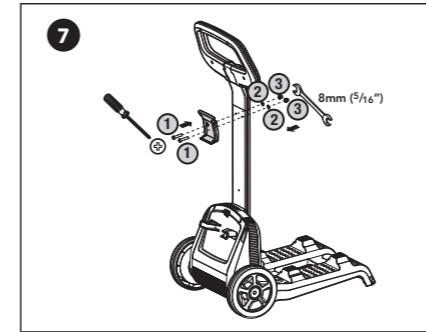
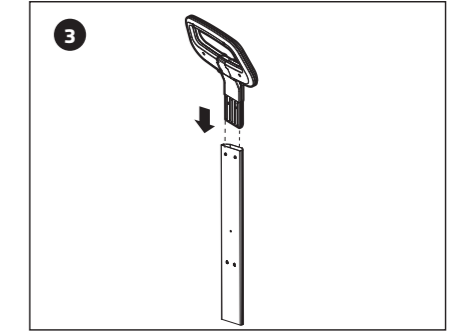
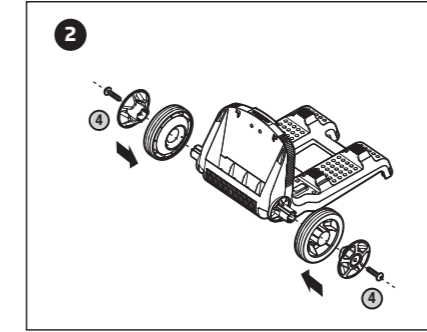
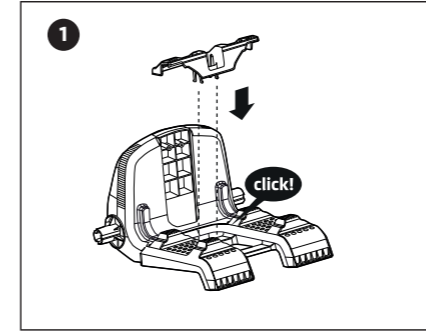
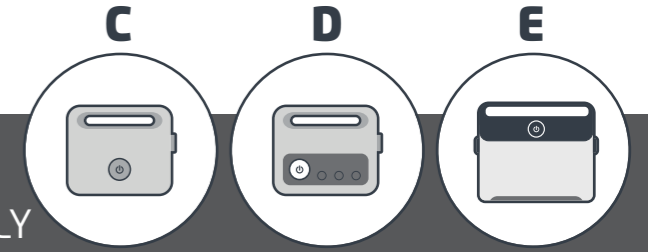
- ① DIN 7985 A2 M5X35 x 2
- ② DIN 127B A2 M5 x 2
- ③ DIN 1587 A2 M5 x 2
- ④ WN 1412 A2 KA50X16 x 6



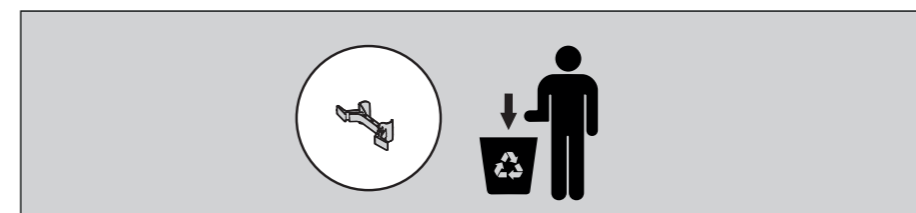
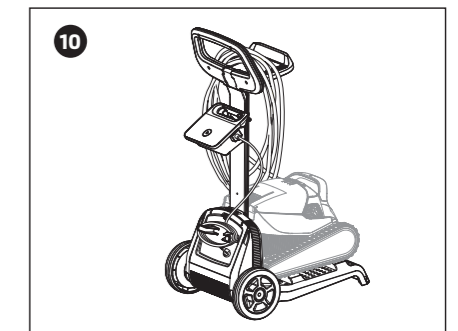
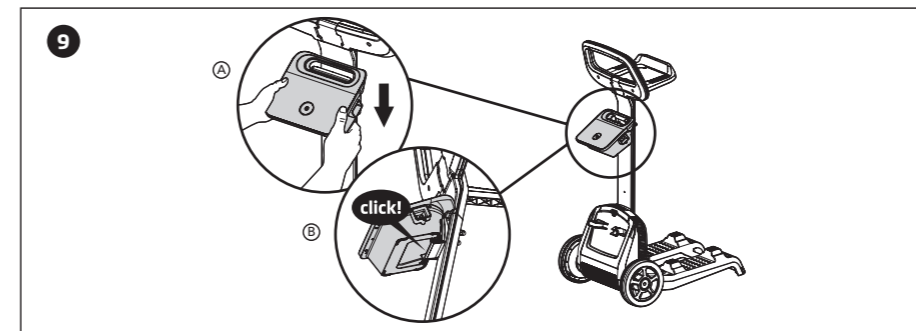
For more information:  
[www.maytronics.com](http://www.maytronics.com)



## UNIVERSAL CADDY ASSEMBLY FOR MODELS WITH C/D/E POWER SUPPLY



- ① DIN 7985 A2 M5X35 x 2
- ② DIN 127B A2 M5 x 2
- ③ DIN 1587 A2 M5 x 2
- ④ WN 1412 A2 KA50X16 x 6



For more information:  
[www.maytronics.com](http://www.maytronics.com)

