

SPEAKMAN®

SE-675

Installation, Operation, and Maintenance Instructions

SAFE-T-ZONE® EMERGENCY SHOWER AND EYE/FACE WASH

DESCRIPTION

Floor mounted emergency deluge shower and non-aerated eye/face wash combination unit. Shower is supplied with a 1" NPTF stay-open full flow ball valve, activated by triangular pull handle. Eye/face wash is supplied with 1/2" NPTF stay-open full flow ball valve, activated by push handle.

SPECIFICATIONS

SHOWER HEAD: 8" DIA. YELLOW PLASTIC.

FLOW CONTROL: INTERNAL 20 GPM REGULATOR.

VALVE: 1" NPT FEMALE BRASS, CHROME-PLATED. FULL FLOW STAY-OPEN BALL VALVE.

ACTIVATOR: POWDER COATED YELLOW, ALUMINUM TRIANGULAR PULL ROD.

STANCHION: 1-1/4" GALVANIZED STEEL PIPE AND FITTINGS.

INLET: 1-1/4" NPT FEMALE.

FLOOR FLANGE: GALVANIZED STEEL CASTING WITH (3) 17/32" DIA. MTG. HOLES ON 9" DIA. BOLT CIRCLE, SPACED 120° APART.

EYE/FACE WASH: SE-575 NON-AERATED EYE/FACE WASH.

EMERGENCY SIGN: 7-7/8" X 12" PLASTIC WALL GRAPHIC SIGN.

SHIPPING WEIGHT: 46 LB.

ASSEMBLY INSTRUCTIONS

When assembling, be sure to *use thread sealant/locker on all threaded connections*, and wrench-tighten all threaded connections. Note, proper drying or curing of the thread-locker should be allowed on the threaded connections so that properly oriented parts that have already been assembled are not moved during the assembly of the component that follow. A wrench or pipe nipple can be used for reverse leverage to help eliminate the movement of the earlier assembled parts. When assembling plastic deluge shower head (SE-810) use sealant compatible with POM plastic. To assure proper location and alignment of inlets, outlets, etc. The best method to assemble this unit is to follow instructions below while referencing parts diagram.

Required Tools:

Pipe Thread Sealant / Locker

Adjustable Wrench (Large and Small)

(3) Suitable Anchors for mounting unit to floor

Pipe Wrench or Strap Wrench for 1-1/4" & 1" Pipe.

Phillips Head Screw Driver

Vise (Optional)

Assemble vertical stanchion portion

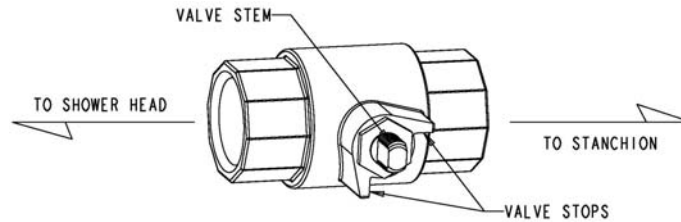
1. At desired location, mount floor flange (Item #2) on flat surface using suitable anchors, making sure that one of the three "ears" on the floor flange is positioned at what will be the front of the unit (see "Floor Flange Detail" on page #6). The unit should be placed so that there is sufficient unobstructed area around the unit.
2. Assemble 1-1/4" x 29-3/8" lg. pipe (Item #3) into the floor flange.
3. (IMPORTANT) Assemble "blocked port" end of 1-1/4" x 1-1/4" x 1/2" blocked tee (Item #4) to 1-1/4" x 29-3/8" lg. pipe, making sure that the 1/2" male thread side outlet is positioned towards the front of the unit.
4. Assemble 1-1/4" x 31" lg. pipe (Item #5) to the 1-1/4" x 1-1/4" x 1/2" tee.
5. Assemble 1-1/4" tee (Item #6) to 1-1/4" x 31" lg. pipe, making sure it is aligned so the side outlet of the tee faces towards the back of the unit.
6. Assemble 1-1/4" x 22-1/4" lg. pipe (Item #7) to the 1-1/4" tee.
7. Assemble 1-1/4" x 1-1/4" x 1" Tee (Item #8) to 1-1/4" x 22-1/4" lg. pipe, making sure that the 1" male thread on the elbow is facing towards the front of the unit.
8. Assemble the 1" x 6" lg. pipe (Item #9) to the 1-1/4" x 1-1/4" x 1" Tee.

SPEAKMAN®

400 Anchor Mill Rd. New Castle, DE 19720 Phone: 800-537-2107 Fax: 800-977-2747

05/03/16 speakman.com 92-SE-675-03

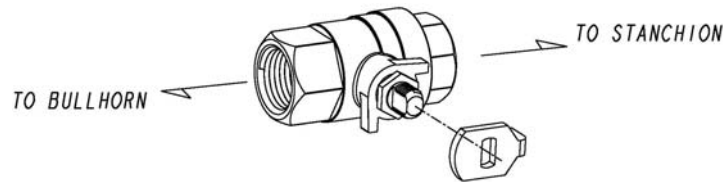
- (IMPORTANT) With ball valve stops located as shown below, assemble 1" ball valve (Item #10) to the 1" x 6" lg. pipe making sure that when fully tightened the ball valve stem & stops are oriented on right side of unit.



- Assemble 1" x 14" lg. pipe (Item #12) into the 1" ball valve.
- Assemble 1" street elbow (Item #13) to 1" x 14" lg. pipe, making sure it is aligned so that the male thread is facing downwards.
- Assemble 8" deluge shower head (Item #14) to 1" street elbow, making sure not to over tighten.

Eye/Face Wash Sub-Assembly

- Assemble 1/2" chrome-plated coupling (Item #1F) to 1-1/4" x 1-1/4" x 1/2" tee.
- Assemble 1/2" x 2-5/8" lg. chrome-plated pipe (Item #1E) to 1/2" coupling.
- Assemble 1/2" chrome-plated ball valve (Item #1D) to 1/2" x 2-5/8" lg. pipe, making sure when fully tightened the valve stem is located on the right-hand side of the unit, and the valve stops are oriented as shown below.



- Assemble 1/2" x 3-3/4" lg. chrome plated pipe (Item #1C) to 1/2" chrome plated ball valve.
- Assemble 1/2" chrome plated elbow (Item #1B) to 1/2" x 3-3/4" lg. chrome plated pipe.
- Assemble bull horn assembly (Item #1A) onto 1/2" chrome plated elbow.
- (IMPORTANT) Assemble valve stop (Item #1G) on to the valve stem of the 1/2" chrome plated ball valve as shown above.
- Assemble 1/2" valve stem extension (Item #1H) to the threaded valve stem of the 1/2" ball valve.
- (IMPORTANT) Insert 1/2" valve stem extension drive (Item #1I) over stem extension and onto 1/2" valve stop, making sure the stop insert fully into the slot on the stem extension drive.
- Insert tab on paddle handle (Item #1J) fully into slot on 1/2" valve stem extension drive, and secure with #10-24 flanged screw (Item #1K).

Final Assembly

- Assemble lever handle sub-assembly (Items #15) to ball valve (Item #14) stem, making sure to orient male threads of 1/4"-20 screw so that it rests between the stops on the ball valve.
Note: this allows proper 90° rotation of ball valve from the on & off positions.
- Assemble pull rod (Item #19) by inserting tip of lever handle (Item #15) through slot on pull rod, aligning the holes on pull rod and lever handle, and insert 5/16" diameter clevis completely through holes. Insert 3/32" cotter pin (Item #21) through small hole of clevis pin (Item #20). Bend end of cotter pin so it does not fall out.
- If water supply is coming from above Unit, or if water supply is coming from behind Unit, assemble 1-1/4" plug (Item #22) into 1-1/4" x 1-1/4" x 1" Tee.
- Connect an uninterrupted potable water supply to the 1-1/4" supply inlet with a minimum flowing pressure of 30psi and a maximum static pressure of 80psi. Failure to use potable water can result in emergency units producing impure or contaminated water causing possible further injury.
- Turn water supply on and check all pressurized connections for leaks.
- Test the unit by operating both the shower and the eye/face wash.

SPEAKMAN®

FLOW DATA

SHOWER:

FLOW PRESSURE PSI (BAR)	30 (2.07)	60 (4.14)
FLOW RATE GPM (LPM)	20 (75)	25 (94)

EYE/FACE WASH:

FLOW PRESSURE PSI (BAR)	30 (2.07)
FLOW RATE GPM (LPM)	4.5 (17)

Note: All units meet existing ANSI Z358.1 Standards and OSHA Rules. Product improvements may cause specification and dimensional changes without notice.

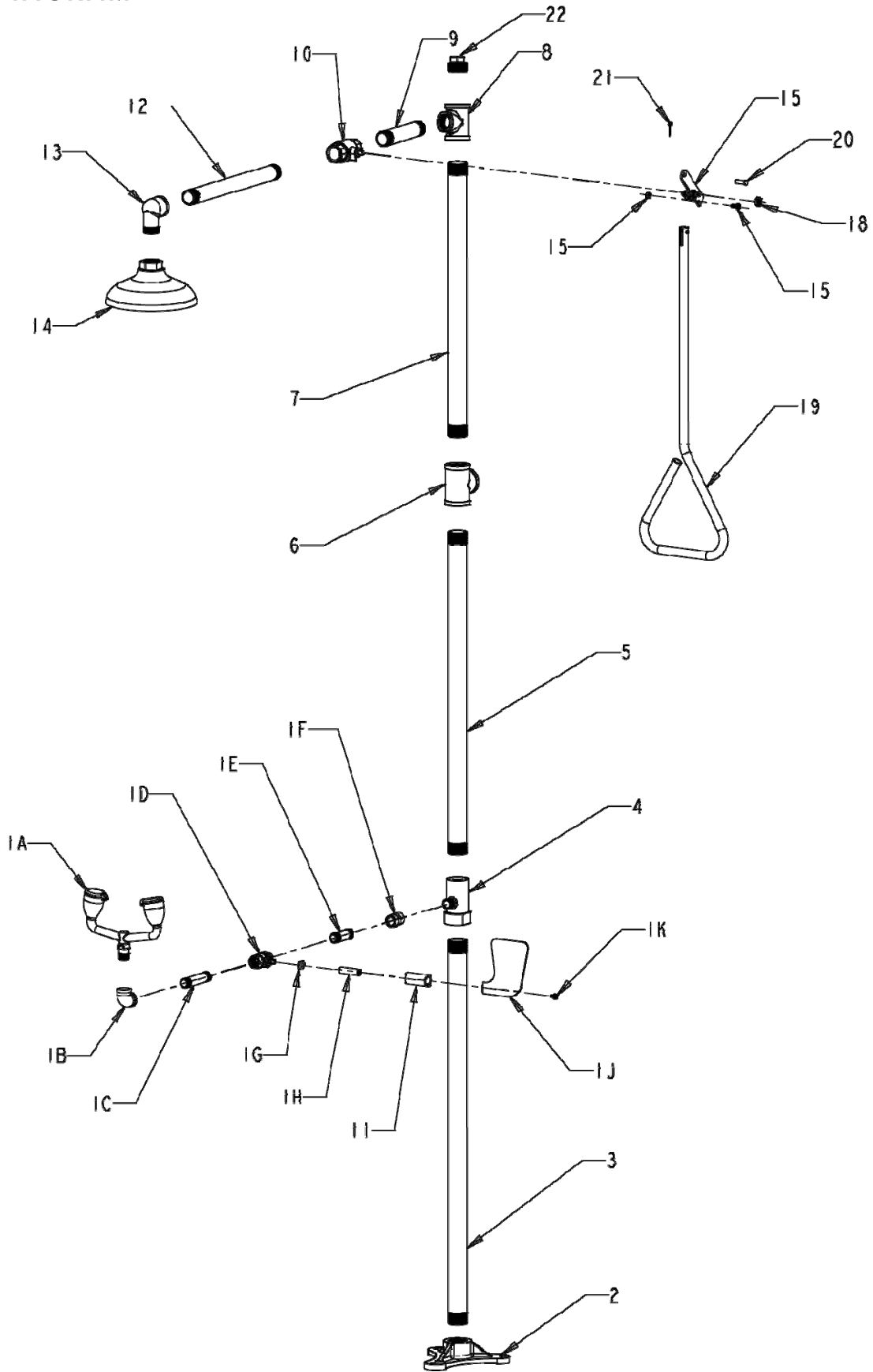
REPLACEMENT/REPAIR PARTS

ITEM	PART/GROUP #	DESCRIPTION
1	SE-910	½" Ball Valve
2	SE-911	1" Ball Valve
3	SE-810	8" Plastic Shower Head
4	RPG47-0046	Pull Handle
5	RPG05-0715	Soft Flow Eye/Face Wash Spray Head

SPEAKMAN®

400 Anchor Mill Rd. New Castle, DE 19720 Phone: 800-537-2107 Fax: 800-977-2747
05/03/16 speakman.com 92-SE-675-03

PARTS DIAGRAM



NOTE: Use thread sealant/locker on all threaded connections.

SPEAKMAN®

SHOWER & EYE/FACE WASH OPERATION

The *shower* is activated by pulling the triangle pull handle. Once the valve is activated the head will continue to discharge water until the valve is manually closed. This is done by pushing up the pull handle to the off position.

The *eye/face wash* is activated by pushing the push handle back 90°. The unit will operate until the push handle is manually pulled back up to the off position.

TESTING PROGRAM

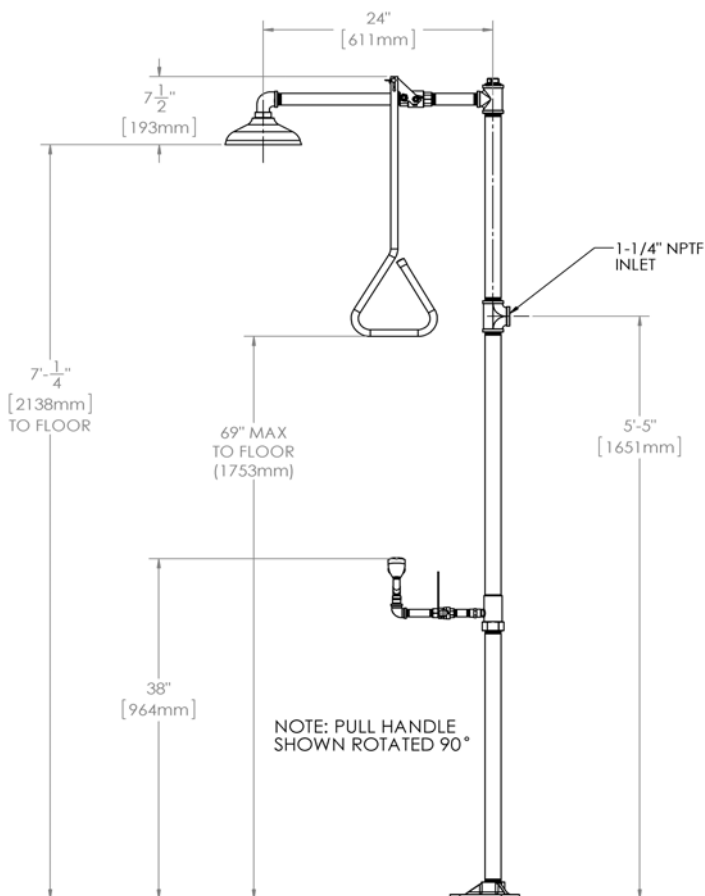
The American National Standards Institute (ANSI) states that all safety emergency equipment shall be activated on a weekly basis to flush the line and verify proper operation. Speakman Company furnishes a testing record tag (91-0635) with each unit. On this tag the date of inspection and the inspector's initials should be noted.

MAINTENANCE

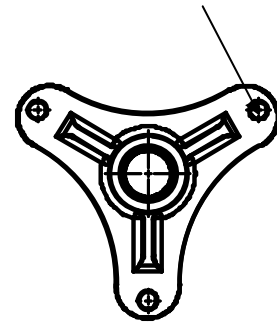
Should you need parts to repair this unit, please reference to the parts listing for correct repair part number. Before any maintenance is done be sure to shut the water supply off.

*(WARNING) Use only genuine Speakman parts when repairing or replacing components.
To order parts call 1-800-537-2107.*

ROUGH-IN



(3) 17/32" Dia. Holes Equally Spaced on 7-7/8" D.B.C.



Front of Unit

FLOOR FLANGE DETAIL

NOTE: All dimensions assume nominal thread engagement. Industry standard is +/- 1/8" per pipe thread. To find actual tolerance of a dimension multiply 1/8" (3mm) by number of threaded joints within dimension.

SPEAKMAN®