

FIG 2

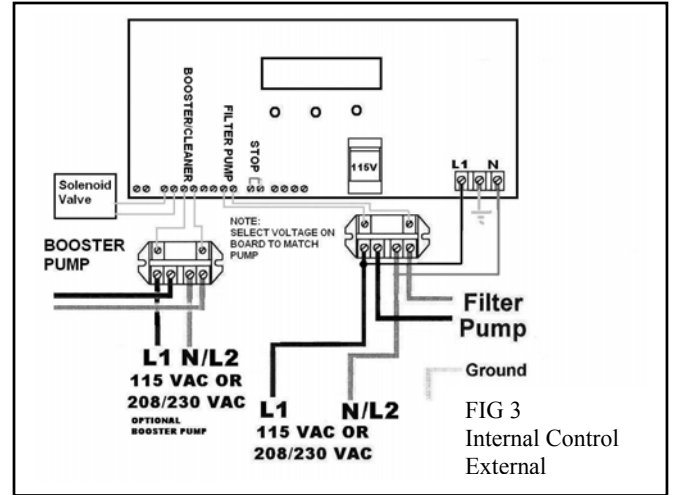


FIG 3
Internal Control
External

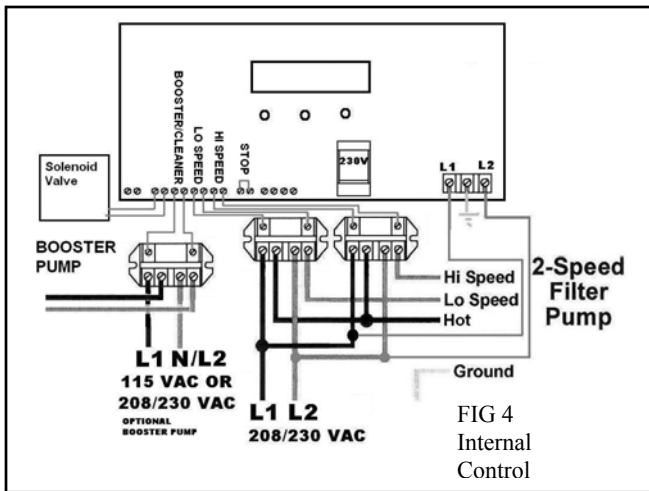


FIG 4
Internal Control

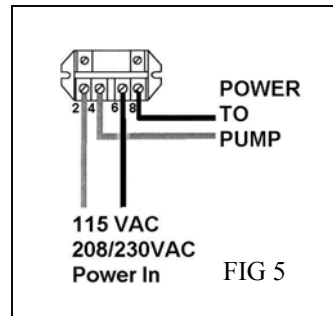


FIG 5

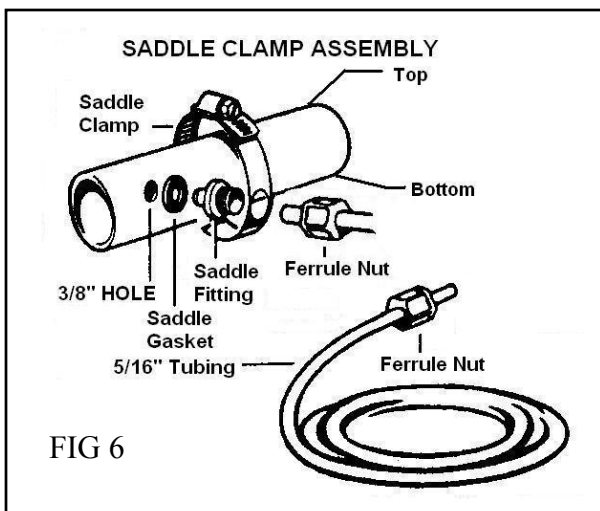


FIG 6

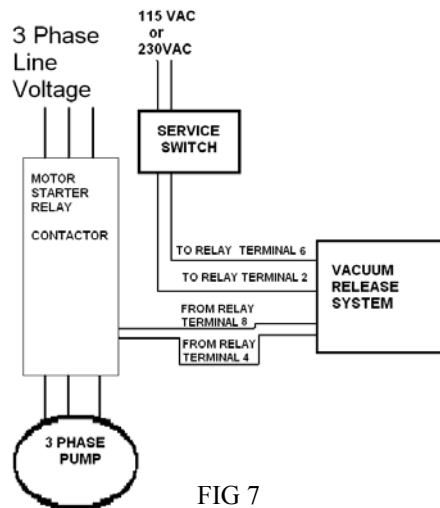


FIG 7
THREE PHASE PUMP MOTOR
SUGGESTED CONNECTION