

WARNING / ATTENTION / AVISO

STOP!
READ
FIRST

Read and Follow All Instructions. Failure to Follow Instructions can cause Severe Injury or Death.

Suction Entrapment Hazard: Suction in suction outlets and/or suction outlet covers which are damaged, broken, cracked, missing, or unsecured can cause severe injury and/or death due to the following entrapment hazards:

Hair Entrapment- Hair can become entangled in suction outlet cover.

Limb Entrapment- A limb inserted into an opening of a suction outlet sump or suction outlet cover that is damaged, broken, cracked, missing or not securely attached can result in a mechanical bind or swelling of the limb.

Body Suction Entrapment- A negative pressure applied to a large portion of the body or limbs can result in an entrapment.

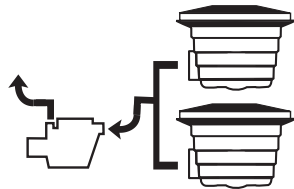
Evisceration/ Disembowelment Entrapment- A negative pressure applied directly to the intestines through an unprotected suction outlet sump or suction outlet cover which is damaged, broken, cracked, missing, or unsecured can result in evisceration/disembowelment entrapment.

Mechanical Entrapment- There is a potential for jewelry, swimsuits, hair decorations, finger, toe or knuckle to be caught in an opening of a suction outlet cover resulting in mechanical entrapment.



To Reduce the Risk of Entrapment Hazards:

- A minimum of two functioning suction outlets per pump must be installed. Suction Outlets in the same plane (i.e. Floor or wall), must be installed a minimum of three feet [1 meter] apart, from near point to near point.
 - Dual suction fittings shall be placed in such locations and distances to avoid "dual blockage" by a user.
 - Dual suction fittings shall not be located on seating areas or on the backrests for such seating areas.
 - The maximum system flow rate shall not exceed the rating of any listed (per ASME/ANSI A112.19.8M-1987, ASME A112.19.8M-2007) suction outlet cover installed.
 - Never use Pool or Spa if any suction outlet component is damaged, broken, cracked, missing or not securely attached.
 - Replace damaged, broken, cracked, missing, or not securely attached suction outlet components immediately.
 - In addition to two or more suction outlets per pump installed in accordance with the latest APSP standards and CPSC guidelines, follow all National, State, and Local codes applicable.
 - **CAUTION** - Do not exceed maximum flow rate stated on suction fitting.
- When replacing pump, use pump with similar flow curve and horsepower.





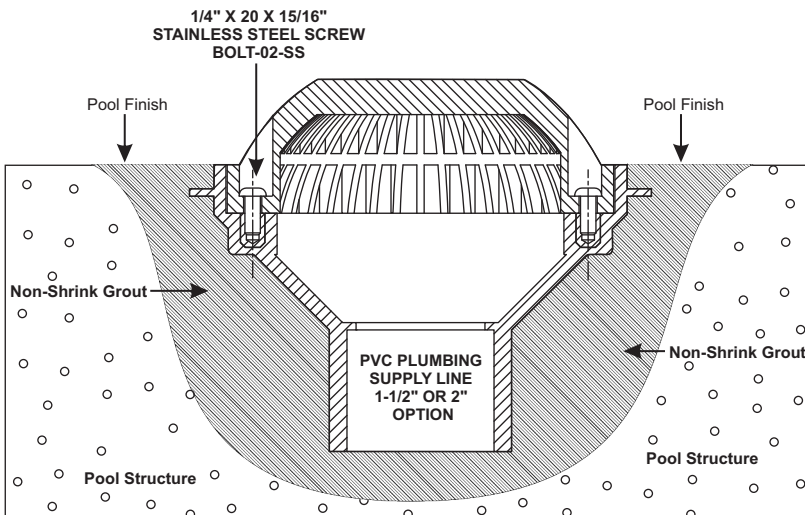
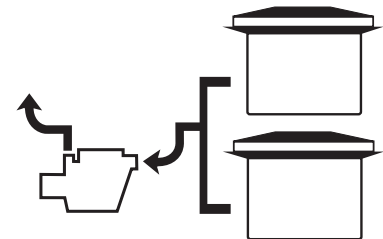
WARNING / ATTENTION / AVISO

Model # MLD-SG-06 SUBMERGED SUCTION OUTLETS

MAXIMUM RATED FLOW RATES –ACCEPTABLE PIPE SIZE
FLOOR: 44 GPM; WALL: 49 GPM – 1-1/2" or 2" INCH

Read instructions before installing. This cover must be properly installed using only supplied stainless-steel screws. Close pool immediately if cover breaks or becomes loose and replace with new cover. Failure to maintain cover can result in severe injury or death.

- During concrete placement, block out for installation of PVC sump. Minimum block out – 10" diameter x 5" deep-V-shape.
- Cut suction pipe to proper depth to assure sump is flush with the pool finish when glued into place.
- Glue sump to suction pipe using PVC primer + glue onto either 1-1/2" or 2" PVC pipe.
- Use care to keep threaded brass inserts clean. Use proper non-shrink concrete mixture to grout around sump.
- Using a # 2 square-head screwdriver, install the grate and tighten the supplied screws to 30 in/lbs torque.
- Use only supplied fasteners. No other means will be approved.
 - (2) 1/4" x 20 x 15/16" Stainless steel screw (MO # Bolt-02-SS)
 - (2) 1/4" brass inserts molded in sump (MO # Brass-TI)
- Total head loss at maximum flow rate is less than 0.2 PSI.
- Grate is removable for installation of winterizing or pressure testing plug.



VGB-2008

CAUTION:

The suction fitting fasteners must be observed for damage or tampering before each use of this facility and or at least annually.

Link to general certification of conformity to VGB 2008
<http://www.lawsonaquatics.com/certification.htm>



Call 1.800.897.6160
for inquiries or assistance

Visit us at: www.lawsonaquatics.com



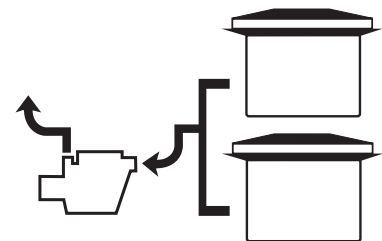
WARNING / ATTENTION / AVISO

Modelo # MLD-SG-06 ENCHULFE SUMERGIDO

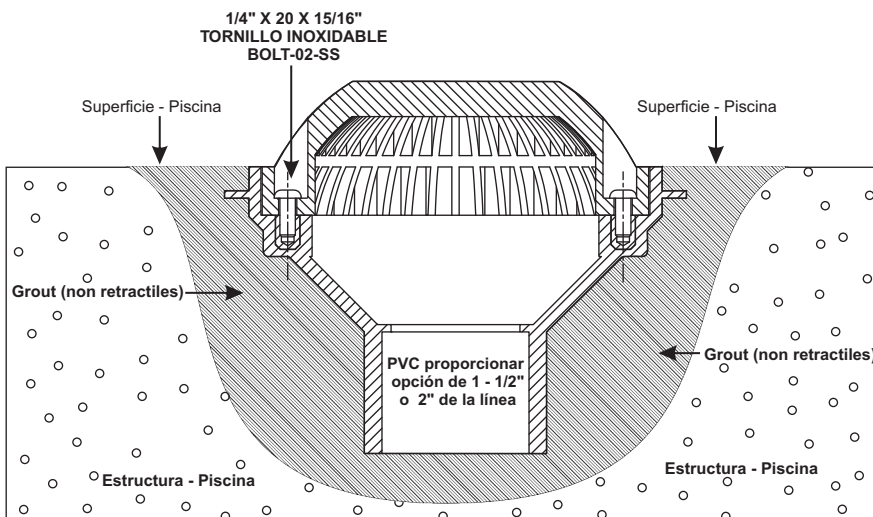
FLUJO MÁXIMO – MEDIDAS ACEPTABLES
FLOOR 44 GPM; PARED: 49 GPM – 1-1/2" o 2" INCH.

Lea las instrucciones antes de instalar. Cubierta debe estar instalada correctamente utilizando sólo tornillos suministrados de acero inoxidable. Inmediatamente cierre la piscina si la cubierta se este suelta y reemplaza con una cubierta nueva. El no mantener la cubierta puede causar lesión grave o hasta muerte

- Durante la colocación de concreto, bloquear para la instalación de sumidero de PVC. Bloque mínimo 10 "diámetros x 5" profundo V-forma
- Corte tubería a profundidad adecuada para asegurar que el sumidero este nivelada con la piscina cuando se adhiera en su lugar..
- Pegar sumidero a la tubería usando primer y pegamento. Use PVC de 1-1/2 "o 2".
- Tenga cuidado de mantener las inserciones limpias. Utilice la mezcla apropiada para abertura alrededor del sumidero.
- Utilizando destornillador #2, instale la parrilla y apriete los tornillos suministrados a 30 in/lbs torque.
- Uso sólo sujetadores suministrados. Otros medios no serán aprobados.
 - (2) 1/4 "x 20 x 15 y 16" tornillo de acero inoxidable (MO # Bolt-02-SS)
 - (2) 1/4 "latón inserciones moldeadas en sumidero (MO # Brass-TI)
- Pérdida total a velocidad de flujo máximo es inferior a 0.2 PSI.
- Parrilla es extraíble para la instalación de pruebas de presión para las clavijas.



VGB-2008



Precaución:

Los sujetadores deben ser observados antes de cada uso (o anualmente) para asegurar que no estén dañadas.

Información acerca de la certificación general de conformidad con VGB 2008

<http://www.lawsonaquatics.com/certification.htm>

LAWSON AQUATICS[®]
The Wizards of Aquatic Technology

Doc# 2000-06 Round-Skimmer-Equalizer Install Installation rev 10-09

Call 1.800.897.6160

Para asistencia llame al

O visítenos en el Internet:

www.lawsonaquatics.com



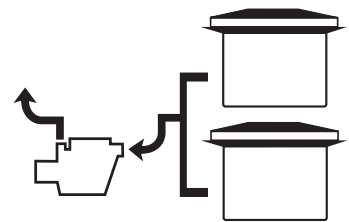
WARNING / ATTENTION / AVISO

GENERAL SAFETY GUIDELINES

6" ROUND SKIMMER EQUALIZER/SUCTION OUTLET (SUMP & GRATE SUBMERGED SUCTION OUTLETS) Model # MLD-SG-06

If there are any doubts about the use, installation and function of this product, always consult a Registered Design Professional.

- 1 This product is for use as a Submerged Suction Outlet for multiple or single drain use only.
- 2 When two or more suction fittings are used on a common suction line they shall be separated by a minimum of 3 feet, or if any are located closer they shall be located on two different planes (on the bottom and vertical wall) or 2 separate vertical walls.
- 3 **DO NOT** locate suction outlets on seating areas or on the backrests for such seating areas.
- 4 In the event that one suction outlet is completely blocked, the remaining suction outlets serving the system shall have a flow rating capable of the full flow of the pump(s) for the specific suction system.
- 5 These sumps are fitted with the appropriate sized pipe fitting. The main suction pipe diameter may possibly need to be increased if the collector tank distance is more than 30 feet. Refer to a Registered Design Professional.
- 6 For use as in floor or wall mounting positions only.
- 7 This grate / cover, **MLD-SG-06** is to be replaced after 10 installed years.
- 8 Many codes differ from ASME/ANSI A 112.19.8 2007 recommendations. It is the responsibility of the installer to choose the proper suction fitting for the application.



VGB-2008

CAUTION:

The suction fitting fasteners must be observed for damage or tampering before each use of this facility and or at least annually.

Link to general certification of conformity to VGB 2008
<http://www.lawsonaquatics.com/certification.htm>

LAWSON AQUATICS[®]
The Wizards of Aquatic Technology

Doc# 2052-06 Round-Skimmer-Equalizer General Safety Guidelines rev 10-09

Call 1.800.897.6160
for inquiries or assistance

Visit us at: www.lawsonaquatics.com

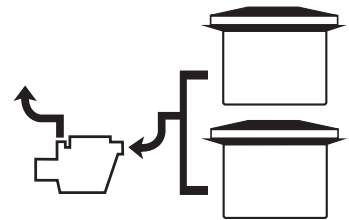


WARNING / ATTENTION / AVISO

DIRECCIONES GENERALES DE SEGURIDAD 6" REDONDAS ECUALIZADOR/SUMIDERO (INDUCCIÓN SUMERGIDA PARA DRENAJES) Modelo # MLD-SG-06

Si existen dudas sobre el uso, la instalación y/o la función de este producto, favor de consultar un profesional de diseño registrado.

- 1 Este producto es para uso como punto de inducción sumergida para drenajes sencillos o modelos múltiples.
- 2 Cuando se utilizan dos o más conexiones en una línea de aspiración común deben estar separadas por un mínimo de 3 pies, o si se encuentran más cerca deben estar ubicadas en dos planos diferentes (en la parte inferior y la pared vertical) o 2 paredes verticales (separadas).
- 3 NO instalen las salidas de succión en zonas donde se sientan o en los respaldos para esas zonas.
- 4 En el caso de que una salida de succión este completamente bloqueada, las salidas restantes sirviendo el sistema tendrán que tener un flujo total para el sistema de aspiración específico.
- 5 Estos sumideros están equipados con la conexión de tubería de tamaño adecuado. El diámetro de la tubería principal quizás tendrá que ser aumentada si la distancia del tanque es más de 30 metros. Consulte a un profesional de diseño registrado.
- 6 Para use en posiciones de montaje en el suelo o pared.
- 7 Este sumidero, **MLD-SG-06** debe ser reemplazado después de 10 años instalado.
- 8 Muchos códigos difieren de las recomendaciones del ANSI/ASME A 112.19.8 2007. Es la responsabilidad del instalador para elegir la aspiración adecuada para la aplicación de conexión.



VGB-2008

Información acerca de la certificación general
de conformidad con VGB 2008

<http://www.lawsonaquatics.com/certification.htm>

LAWSON AQUATICS[®]
The Wizards of Aquatic Technology

Precaución:

Los sujetadores deben ser observados antes de cada uso (o anualmente) para asegurar que no estén dañadas.

Call 1.800.897.6160

Para asistencia llame al

O visítenos en el Internet:
www.lawsonaquatics.com