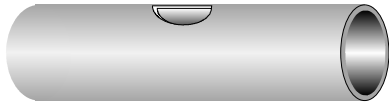
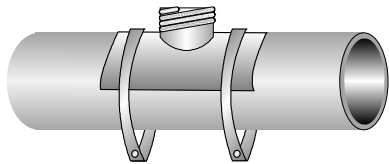


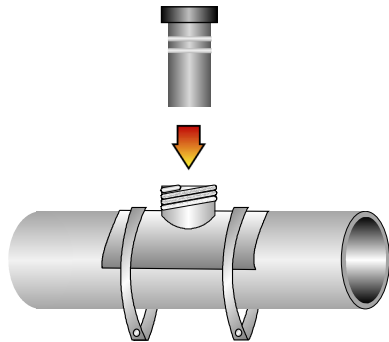
# Installing a Digital Flow Meter



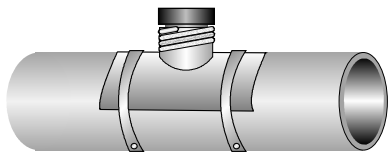
Step 1 : Tap the line



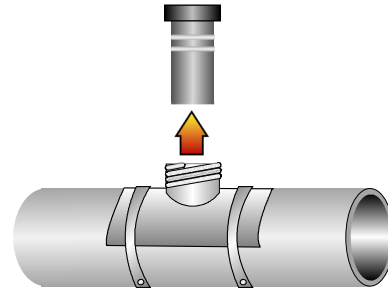
Step 2 : install the Saddle clamp but do not tighten



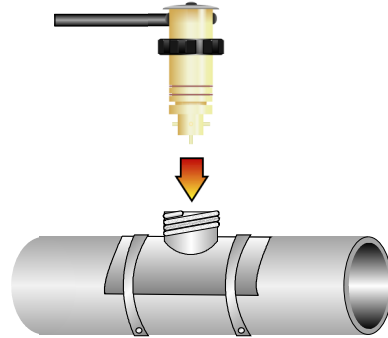
Step 3 : Install the Guide



Step 4 : Tighten the Saddle Clamp



Step 5 : remove the guide



Step 6 : Install the Digital flow meter



Step 7 : Connect the line to J10