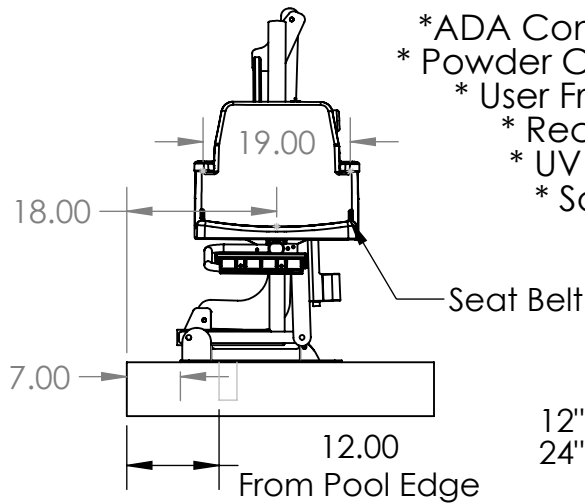
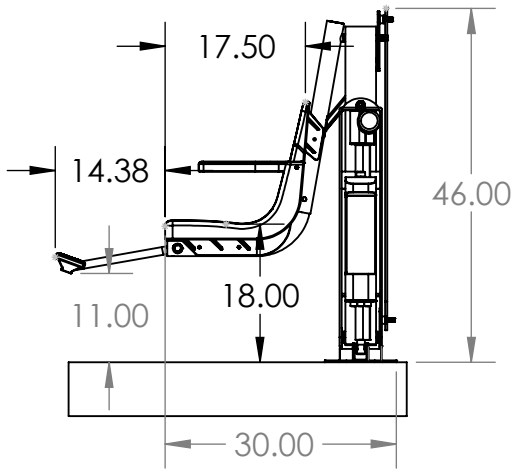


2

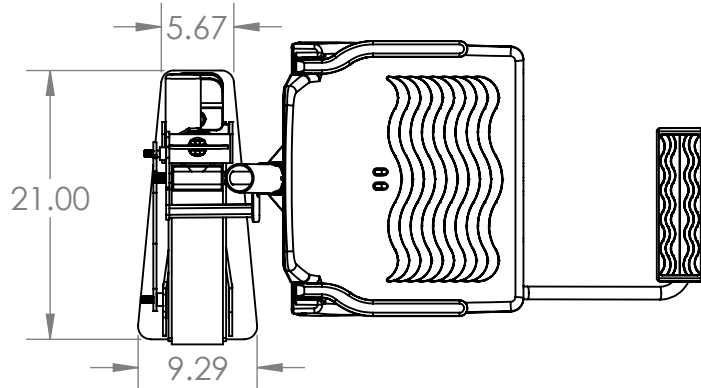
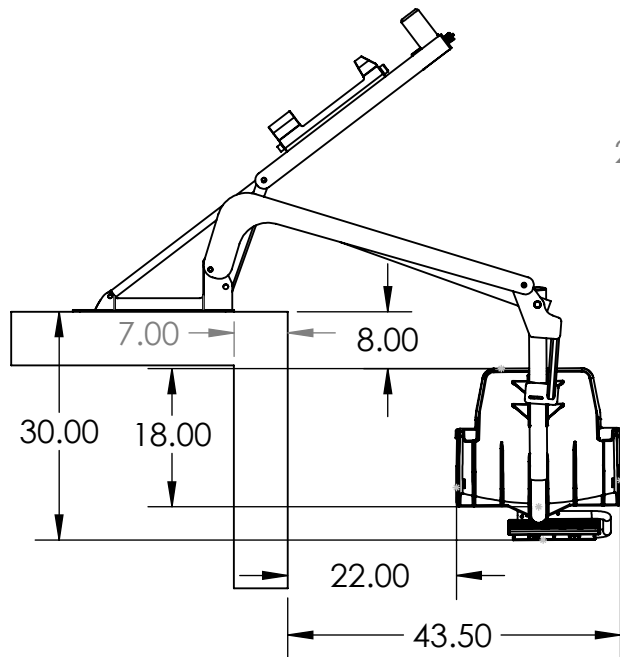
1



Features

- * ADA Compliant
- * 350 Pound Weight Capacity
- * Powder Coat Finish
- * Stainless Steel Construction
- * User Friendly Controls
- * Right Seat Position
- * Rechargeable Battery with Charger
- * UV Resistant
- * Arm Rests
- * Foot Rest
- * Safety Seat Belt
- * UPS Shippable
- * 5 year Structural Warranty
- * Extended Reach

Maximum Seat Submersion is 8" Below Deck

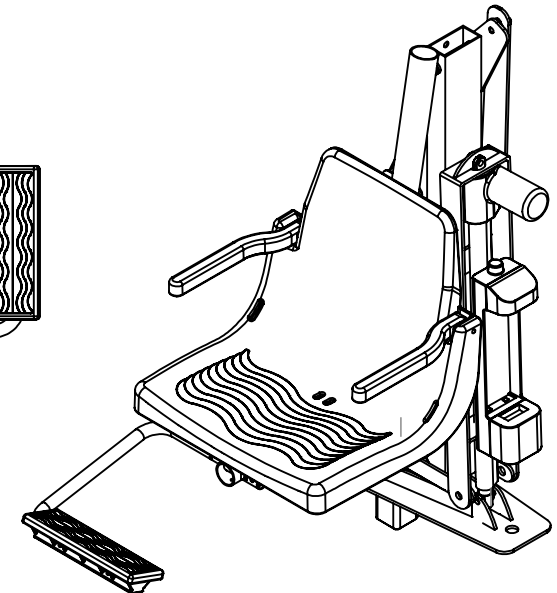


Model: **SXR**

Weight Capacity: 350 Pounds

TOLERANCES

DIMENSIONS ARE IN INCHES
 UNLESS OTHERWISE SPECIFIED
 TOLERANCES:
 TWO PLACE DECIMAL $\pm .125"$
 ANGULAR $\pm 1^*$



Material: 304 Stainless Steel
 Finish: Powder Coat
 Approx. Weight: 150 Pounds

B

B

A

A

2

1



PROPRIETARY AND CONFIDENTIAL
 THE INFORMATION CONTAINED IN THIS DRAWING IS THE SOLE PROPERTY OF GLOBAL POOL PRODUCTS. ANY REPRODUCTION IN PART OR AS A WHOLE WITHOUT THE WRITTEN PERMISSION OF GLOBAL POOL PRODUCTS IS PROHIBITED.

This Document is for REFERENCE ONLY