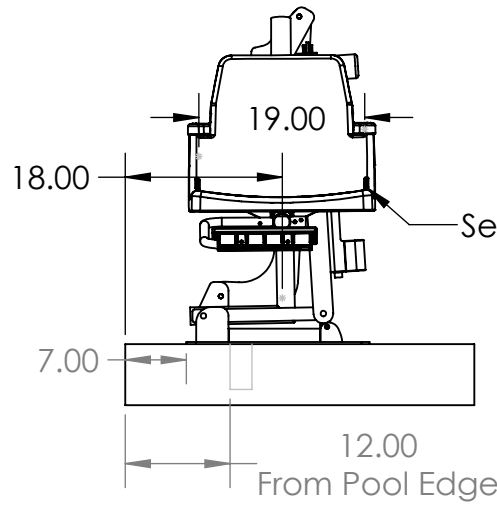
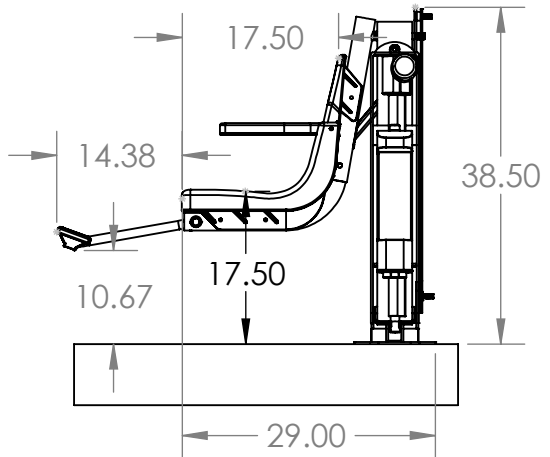


2

1

B

B

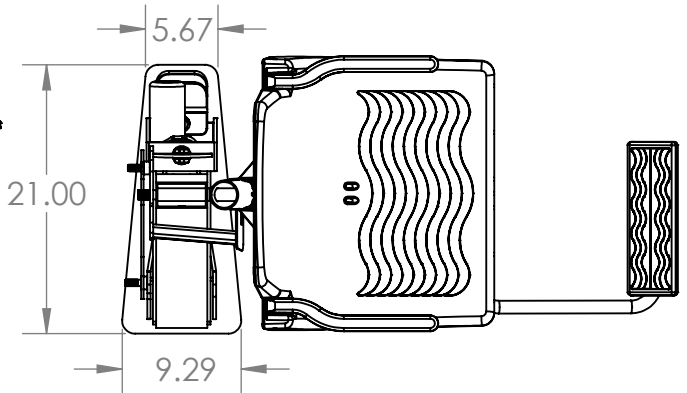
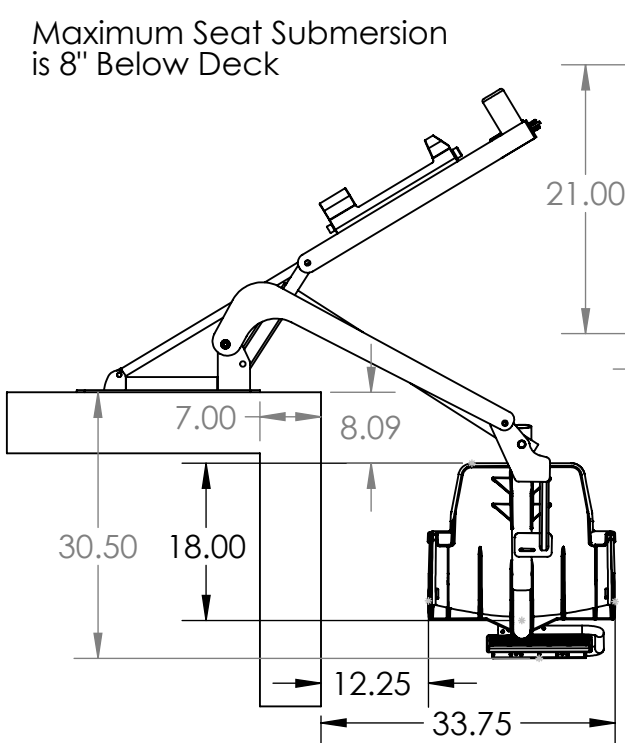


12" Minimum Setback
17" Maximum Setback

Features

- * ADA Compliant
- * 350 Pound Weight Capacity
- * Powder Coat Finish
- * Stainless Steel Construction
- * User Friendly Controls
- * Right Seat Position
- * Rechargeable Battery with Charger
- * UV Resistant
- * Arm Rests
- * Foot Rest
- * Safety Seat Belt
- * UPS Shippable
- * 5 Year Structural Warranty

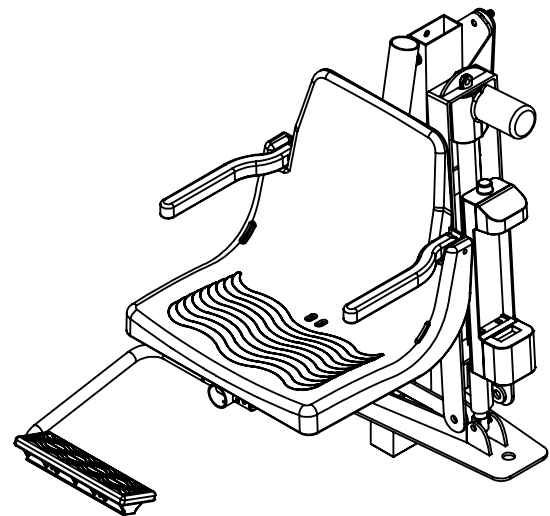
Maximum Seat Submersion
is 8" Below Deck



Model: S-350

Weight Capacity: 350 Pounds

TOLERANCES
DIMENSIONS ARE IN INCHES
UNLESS OTHERWISE SPECIFIED
TOLERANCES:
TWO PLACE DECIMAL $\pm .125"$
ANGULAR $\pm 1^{\circ}$



Material: 304 Stainless Steel
Finish: Powder Coat
Approx. Weight: 150 Pounds

A

A

PROPRIETARY AND CONFIDENTIAL

THE INFORMATION CONTAINED IN THIS DRAWING IS THE SOLE PROPERTY OF GLOBAL POOL PRODUCTS. ANY REPRODUCTION IN PART OR AS A WHOLE WITHOUT THE WRITTEN PERMISSION OF GLOBAL POOL PRODUCTS IS PROHIBITED.

This Document is for REFERENCE ONLY



2

1