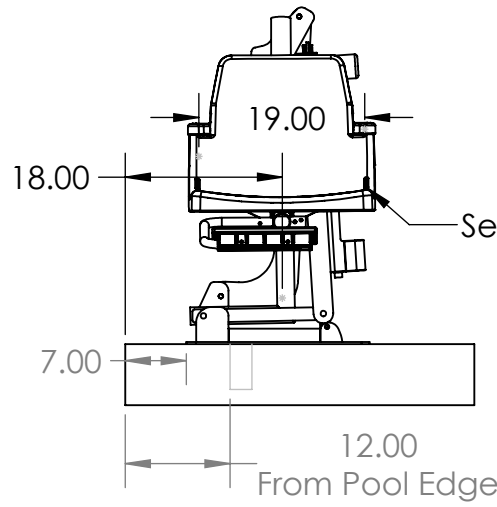
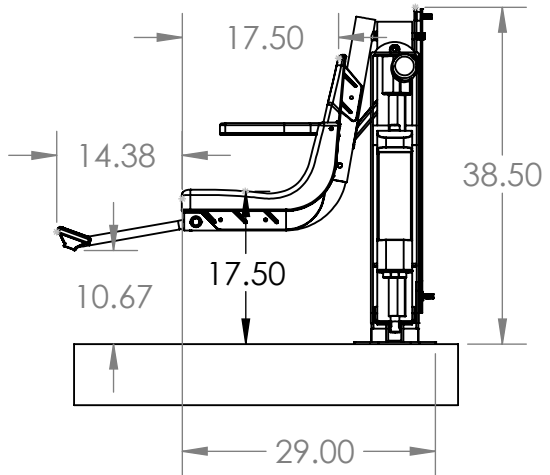


2

1

B

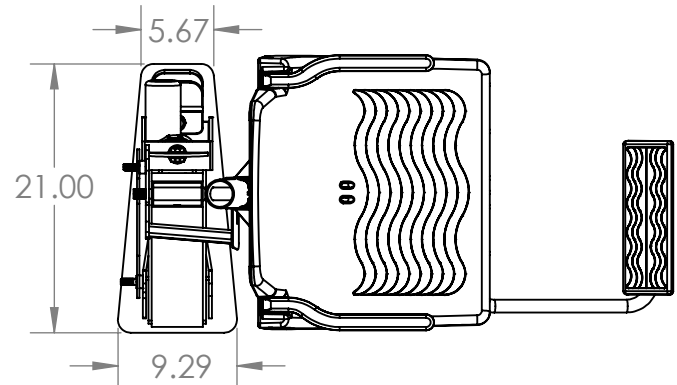
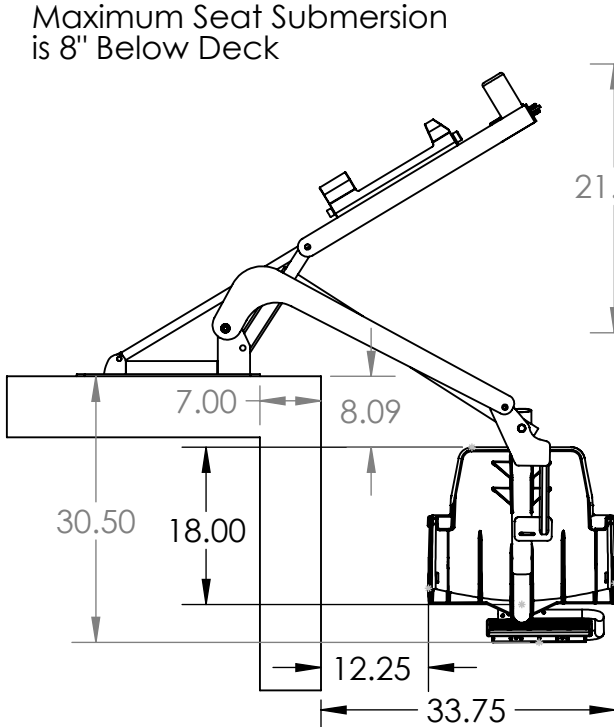
B



- Features**
- \* ADA Compliant
  - \* 375 Pound Weight Capacity
  - \* Powder Coat Finish
  - \* Stainless Steel Construction
  - \* User Friendly Controls
  - \* Right Seat Position
  - \* Rechargeable Battery with Charger
  - \* UV Resistant
  - \* Arm Rests
  - \* Foot Rest
  - \* Safety Seat Belt
  - \* UPS Shippable
  - \* 5 Year Structural Warranty

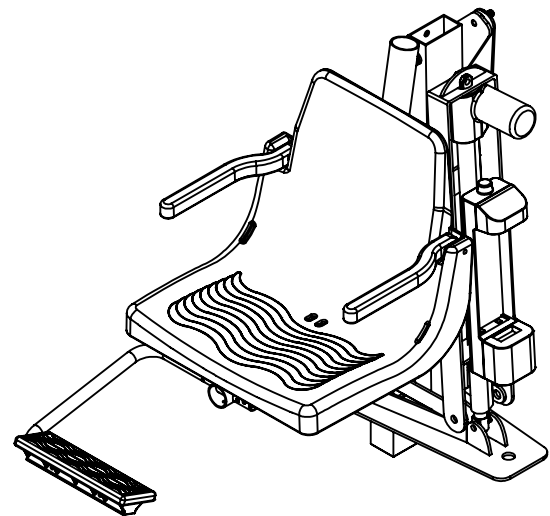
12" Minimum Setback  
17" Maximum Setback

Maximum Seat Submersion  
is 8" Below Deck



**Model: P-375**  
Weight Capacity: 375 Pounds

TOLERANCES  
DIMENSIONS ARE IN INCHES  
UNLESS OTHERWISE SPECIFIED  
TOLERANCES:  
TWO PLACE DECIMAL ± .125"  
ANGULAR ± 1°



Material: 304 Stainless Steel  
Finish: Powder Coat  
Approx. Weight: 150 Pounds

A

A

2

1



**PROPRIETARY AND CONFIDENTIAL**

THE INFORMATION CONTAINED IN THIS DRAWING IS THE SOLE PROPERTY OF GLOBAL POOL PRODUCTS. ANY REPRODUCTION IN PART OR AS A WHOLE WITHOUT THE WRITTEN PERMISSION OF GLOBAL POOL PRODUCTS IS PROHIBITED.

This Document is for REFERENCE ONLY