



OWNER'S MANUAL
Legend Series
L-350R2



1330 Pigeon Rd
Bad Axe, MI 48413
Toll Free: 866-712- 0606
Fax: 989-269-5902

www.global-poolproducts.com



LEGEND SERIES POOL LIFTS

TABLE OF CONTENTS

INTRODUCTION	PAGE - 3
ADA GUIDELINES FOR PLACEMENT	PAGE - 4
24 VOLT BATTERY SYSTEM/WITH CONTROLS	PAGE - 5
LEGEND SERIES OPERATING INSTRUCTIONS	PAGE - 6
UNIT MAINTENANCE AND CARE	PAGE - 7
TROUBLESHOOTING	PAGE - 8
WARRANTY INFORMATION	PAGE - 10
WARRANTY REGISTRATION	PAGE - 14
FIXED ANCHOR INSTALLATION	PAGE - 15
SEAT INSTALLATION	PAGE - 18
LEGEND SERIES REVERSIBLE INSTRUCTIONS	PAGE - 25
PARTS LIST	PAGE - 28



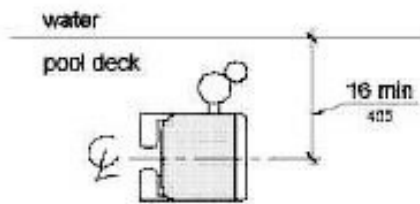
INTRODUCTION

“Committed to Engineering and Manufacturing World Class Products.”

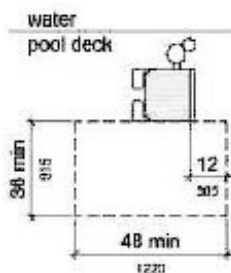
Global Pool Products is located in Mid-Michigan. Global Pool Products prides itself in manufacturing top-of-the-line quality aquatic pool equipment and products. Global Pool Products’ key staff has a century of combined industry experience and we take pride in each and every product that we build. Our products are made in the United States. Global Pool Products uses only the finest materials and processes to provide our customers with the highest quality products while still maintaining a price competitive edge.

ADA GUIDELINES FOR POOL LIFT PLACEMENT

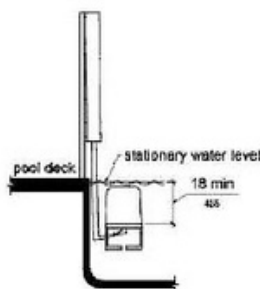
1. Pool Lift Location. Pool lifts shall be located where the water level does not exceed 48 inches (1220 mm).
2. Seat Location. In the raised position, the centerline of the seat shall be located over the deck and 16 inches (405 mm) minimum from the edge of the pool. The deck surface between the centerline of the seat and the pool edge shall have a slope not steeper than 1:48.



3. Clear Deck Space. On the side of the seat opposite the water, a clear deck space shall be provided parallel with the seat. The space shall be 36 inches (915 mm) wide minimum and shall extend forward 48 inches (1220 mm) minimum from a line located 12 inches (305 mm) behind the rear edge of the seat. The clear deck space shall have a slope not steeper than 1:48.



4. Submerged Depth. The lift shall be designed so that the seat will submerge to a water depth of 18 inches (455 mm) minimum below the stationary water level. To make sure the lift has enough clearance the lift should be installed at a location with 48" of water depth.



24 VOLT BATTERY SYSTEMS WITH CONTROLS

All of Global Pool Products' Legend Series Lifts are equipped with a sealed 24 volt battery that is rechargeable. Along with a charging unit, hand held controller and control compartment. The 24 volt battery mounts right above the control compartment and the battery simply snaps in. The battery should be charged for 5-8 hours prior to the 1st use. The dock is used for this charging process.

The unit is operated by the 2 button easy to use controls. The arrow pointing down will lower the lift when depressed, the arrow that points up will raise the unit when depressed. If you hear the low battery indicator tone "Do Not Use the Lift" remove the battery from the unit and recharge the battery.

RECHARGING THE BATTERY:

Remove battery from the unit by unclipping from the control compartment. When setting the battery down, place it horizontally as to avoid contacting the battery terminals with anything conductive, and damaging the battery. Place the battery in the charging unit. When the battery is charging the light will be illuminated amber/orange, indicating charging. Once fully charged the charge light will turn green, indicating fully charged and ready for use in your Legend series pool lift.





LEGEND SERIES POOL LIFT OPERATING INSTRUCTIONS

Insert the battery into the lift and push to click in place. Turn the emergency stop button on top of the unit clockwise to ensure it is in the on position.

Prior to using the Legend Series Pool Lift perform a test run of the lift empty. Once that is completed and the lift is back to original position, make sure that the arm lifts are in the up position and the seatbelt is unbuckled, once acknowledged you are ready!

Once you are in the seat, buckle the seatbelt (make sure it is snug) and lower the arm rails. Before you attempt to operate the lift, make sure the pathway is clear from any obstacles.

Once you have the 2 button easy controls in your hand, press the arrow that specifies down, keep in mind you don't have to go to the bottom of the cycle, you can stop the lift whenever you deem comfortable to exit the lift. However when exiting the pool while on the lift, you should complete the cycle back to the top to have a completely safe exit from the pool.

Once submerged into the pool, unbuckle the seatbelt and raise the armrest and slide off of the seat. Once you are done with your pool activity, make sure the seat is lowered sufficiently to allow you too easily slide back into the chair. Once you are seated, buckle the seatbelt and make sure that it is snug, lower the armrest.

Next, to raise the lift chair out of the pool, make sure you press the button/arrow that represents up on the control. Apply continuous pressure until the lift comes to a complete stop at the end of the complete up cycle on the deck. You now can unbuckle the seatbelt and raise the arm rest and exit the unit.



MAINTENANCE

Regular servicing will help prolong the life of your lift. Routine maintenance and cleaning is very important. The following is a routine maintenance you should follow.

Daily

- o Check and charge battery if needed
- o Test for normal operations
- o Inspect your lift
- o Clean and dry the lift and seat with clean water
- o Cover lift after use

Weekly

- o Overview Daily Checklist
- o Wipe away any surface rust with household spray cleaner
- o Clean tough stains with Scotchbrite pad and wipe clean

Monthly

- o Inspects all connections, frame, seat, etc.
- o Clean battery connections
- o Clean metallic surfaces with a wax cleaner

The maintenance provision of the ADA states that "a public accommodation shall maintain in operable working condition those features of facilities and equipment that are required to be readily accessible to and usable by persons with disabilities."



TROUBLESHOOTING GUIDE

1. Testing the Battery Charger:

- Use a voltmeter to test the battery charger. It should read between 27.5 and 30 volts.
- Ensure you are not using the control box port as a charger. The control box port will not charge the battery or operate the lift without a functional battery.

2. Testing the Battery:

- Use a voltmeter to test the battery. It should read between 26 and 28 volts.
- If the battery measures less than 26 volts, the system may exhibit slight movement but will not operate fully.
- If the battery cannot charge higher than 25 volts, replace the battery.

3. Checking the Emergency Stop Button:

- Verify that the red emergency stop button is in the up position.

4. Inspecting the Control Box:

- Check the tabs inside the control box to ensure they are lifted and making good contact with the battery.
- Ensure there is no visible damage and that the tabs are clean.

5. Connecting the Handset:

- Ensure the handset is plugged into the correct port on the right side, located under the control box. Push the plug all the way in so no gaps are visible.

6. Connecting the Actuator:

- Confirm that the actuator is securely plugged into the left port of the control box.
- For non-rotational lifts, the middle port is not used. For rotational lifts, the motor should be plugged into the middle port.



TROUBLESHOOTING GUIDE

Important Note:

Do not open the components of the lift for internal repairs. Most components are hardwired or sealed. Opening them will void the warranty and may cause further damage to the system.

7. Initial Diagnostic Checks:

- After performing the initial checks, determine if the lift is making any sound when buttons are pressed on the handset.
 - If there is no sound: Replace the handset.
 - If the handset has been replaced and there is still no sound: Replace the control box.
 - If the lift makes a clicking sound but does not move: Replace the actuator.

8. Rotational Lift Specific Checks:

- If the lift is not moving up and down or rotating left to right:
 - Switch the plugs under the control box.
 - If the lift still does not move up and down, replace the actuator.
 - If the lift is not rotating, replace the motor.

9. Sending Components for Testing:

- If the issue persists and you are unable to identify the faulty component, you can send the system to us. We will test each component to determine the cause of the problem.



Global Pool Products Warranty Information

The Legend series lift has a 2 year structural limited warranty. Global Pool Products warrants to the original retail end user only products manufactured by Global Pool Products, when properly installed in accordance to the assembly and installation instructions, and when the equipment is properly used and maintained, be free from material defects and workmanship as stated below:

- Warranty starts from date of original purchase
- Metal structure (not including powder coat) 2 years limited structural warranty
- Actuator and controls – 2 years from date of purchase.
- Battery – 1 year from date of purchase

*This warranty does not cover damages to **ANY** of our lifts due to accident, abuse, negligence, misuse, damage by improper use of chemicals, fading, ice damage, fire, rust beyond structural damage(does not cover cosmetic rust), exceeding the weight capacity for model purchased, failure to install or to assemble the product in accordance with the installation and assembly instructions, normal wear and tear from day to day use, not maintained properly, if unit is altered or repaired without written approval of Global Pool Products – All Warranties are Void.*



Global Pool Products Pool Lift - Warranty Information

The **Commercial, Proformance,** and **Rotational** series lifts have a **Lifetime Limited Warranty** on the metal components of the frame, not including the powder coating process. The **Superior** series lift has a 5 year structural limited warranty. Global Pool Products warrants to the original retail end user only products manufactured by Global Pool Products, when properly installed in accordance to the assembly and installation instructions, and when the equipment is properly *used and maintained, be free from material defects and workmanship as stated below:*

- Warranty starts from date of original purchase
- Metal structure (not including powder coat) – Lifetime Limited (Commercial/Proformance/Rotational Series)
- Metal structure (not including powder coat) 5 year limited structural warranty (Superior Series)
- Actuator and controls – 2 years from date of purchase then 3 years prorated
- Actuator and controls – 3 years 60% coverage (Customer is responsible for 40% of replacement cost)
- Actuator and controls – 4 years 50% coverage (Customer is responsible for 50% of replacement cost)
- Actuator and controls – 5 years 40% coverage (Customer is responsible for 60% of replacement cost)
- Battery – 1 year from date of purchase

*This warranty does not cover damages to **ANY** of our lifts due to accident, abuse, negligence, misuse, damage by improper use of chemicals, fading, ice damage, fire, rust beyond structural damage(does not cover cosmetic rust), exceeding the weight capacity for model purchased, failure to install or to assemble the product in accordance with the installation and assembly instructions, normal wear and tear from day to day use, not maintained properly, if unit is altered or repaired without written approval of Global Pool Products – All Warranties are Void.*

To commence the warranty claim process of a Global Pool Products product, in writing provide place of purchase along with the product name and description, date of installation and a detailed description of the defect, along with a photo of the entire product and claimed defect. Prior to a 30-day period after receiving the written warranty claim by Global Pool Products and barring any unforeseen delays the claimant will be notified of Global Pool Product's decision regarding the claim.

If the request made by Global Pool Products for the product to be returned to its factory or distributor of choice for inspection and/or repair, purchaser will be liable for "Freight Prepaid". Global Pool Products at its option will replace or repair the defective item and deliver the repaired product or replacement to the buyer of the product, freight prepaid by the purchaser to the destination on file in regards to the original order. Parts and Products returned for replacement to Global Pool Products shall remain the property of Global Pool Products under this limited warranty.

A new warranty period shall not be established for any repaired or replaced products. Replaced or repaired products will remain under warranty only for the remainder of the original warranty period for the original product purchased. No person or organization is authorized to make any other specific or implied warranties on behalf of Global Pool Products.

THE WARRANTIES ARE IN LIEU OF ALL OTHER WARRANTIES, EXPRESSED OR IMPLIED, WHICH ARE HEREBY DISCLAIMED AND EXCLUDED, INCLUDING WITHOUT LIMITATION ANY WARRANTY OF MERCHANTABILITY OR FITNESS FOR A PARTICULAR PURPOSE OR USE.

IN NO EVENT SHALL GLOBAL POOL PRODUCTS BE LIABLE FOR ANY INCIDENTAL, CONSEQUENTIAL, INDIRECT, SPECIAL EXEMPLARY OR PUNITIVE DAMAGES OR LOST PROFITS FROM ANY BREACH OF THIS LIMITED WARRANTY. THE SOLE AND EXCLUSIVE REMEDY OF THIS WARRANTY IN REGARDS TO GLOBAL POOL PRODUCTS' PRODUCT SHALL BE LIMITED TO REPLACEMENT OR REPAIR AT A GLOBAL POOL PRODUCTS' FACILITY OR A DULY APPOINTED DISTRIBUTOR'S LOCATION OR AT A GLOBAL POOL PRODUCTS' DESIGNATED LOCATION. IN NO EVENT SHALL GLOBAL POOL PRODUCTS LIABILITY EXCEED THE ENTIRE AMOUNT PAID TO GLOBAL POOL PRODUCTS BY THE ORIGINAL PURCHASER IN REGARDS TO THE DEFECTIVE OR FAILED PRODUCT.

NO REPRESENTATIVE OF GLOBAL POOL PRODUCTS SUCH AS AGENTS, DISTRIBUTORS AND DEALERS HAS THE AUTHORITY TO ALTER IN ANY FASHION THE TERMS OF THIS WARRANTY AND GLOBAL POOL PRODUCTS IS "NOT" RESPONSIBLE FOR REPRESENTATION, UNDERTAKING OR WARRANTY MADE BY ANY OTHER PERSON BEYOND THE WARRANTIES EXPRESSED SET FORTH IN THIS WARRANTY.



Warranty Procedure

Warranty Claims shall be submitted to Global Pool Products by the distributor which originated the sale with Global Pool Products.

All RGA (Return Goods Authorization) documents shall be requested by and issued only to the distributor which originated the sale.

Global Pool Products shall determine warranty coverage validation and replacement parts or repair shall be directed to the distributor which originated the sale.

Warranty claims received from end users by Global Pool Products shall be re-directed to the distributor which originated the sale with Global Pool Products.





WARRANTY REGISTRATION

PURCHASED BY:

Company Name: _____ Contact: _____

City: _____ State: _____ Zip: _____

Phone: (____) _____

DEALER:

Name: _____ Phone Number _____

City: _____ State: _____ Zip: _____

Phone: (____) _____

Model: _____ Serial Number: _____

Color: _____ Purchase Price: \$ _____ Date Purchased: _____

I have read and I accept the warranty terms.

Signature: _____ Date: _____

This card must be completed and returned to Global Pool Products within 30 days of purchase date to assure coverage.

Please mail to: Global Pool Products, 1330 Pigeon Rd, Bad Axe, MI 48413 or

Email to: warranty@globalpoolprod.com



DROP IN ANCHOR KIT LEGEND SERIES LIFTS

PARTS LIST

Anchor Kit will contain:

4 anchor sleeves

4 bolts

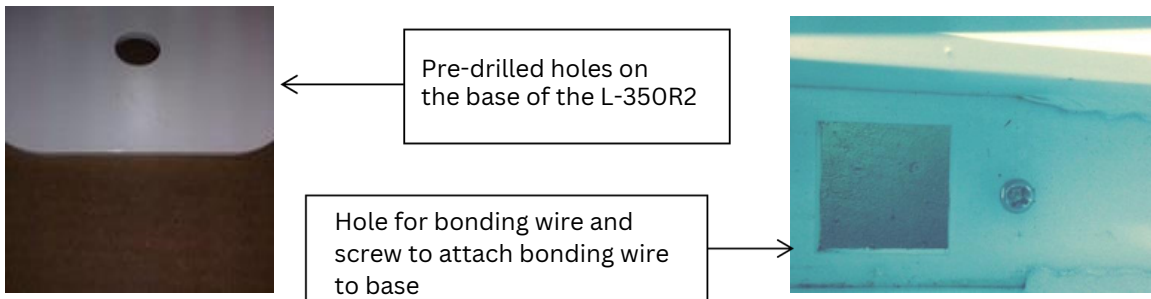
1 setting tool

4 anchor caps





DROP IN ANCHOR LEGEND SERIES



Position the lift in the location to be installed.
Locate the 4 pre-drilled holes on the base of the lift.
Position the lift so that the base of the lift is from 7.5" from the pools' edge.
Now mark the concrete so you will know where to drill. Center of slot for adjustment towards or away from pool edge. Remove the lift and set aside.
You will need a 7/8" rock carbide drilling bit.

- Make sure you have accurately marked the hole locations to be drilled and the square hole in the base where the bonding wire needs to come through. The holes must be 2 1/2" deep. Run the copper bonding wire to come through the square hole you previously marked.
- Clean holes with pressurized air or vacuum.
- Administer Epoxy into each hole prior to inserting the drop in anchor.
- Drive the anchor flush with the surface of the concrete .
- Expand the anchors with the setting tool (provided). Anchor is properly expanded when shoulder of the setting tool is flush with the top of the anchor.
- Position the lift back in place and aligned with the holes.
- Insert drop in anchor bolts and tighten.



Setting tool shown



LEGEND SERIES LIFTS TABLE OF CONTENTS

1. 4-Point Anchor System
2. 4-Point Paver Instruction Anchor Method



LEGEND SERIES LIFTS INSTALLATION MANUAL



December 2024



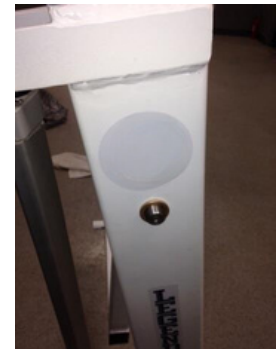
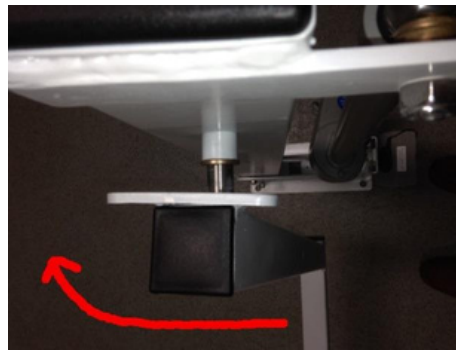
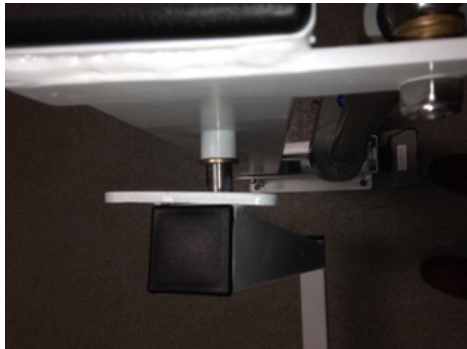
LEGEND SERIES LIFTS ASSEMBLY STEPS



Main Components – Lift



Seat tube



1. Insert the seat tube into the upper hole on the lift, ensuring the tube is inserted into the side with the protruding tube as shown above.
2. The seat tube will have to be turned in a clockwise direction to thread through the brass bushings.
3. Keep turning until the threads protrude from the back side of the lift, and the triangle is butted up against the bushing.



LEGEND SERIES LIFTS ASSEMBLY STEPS



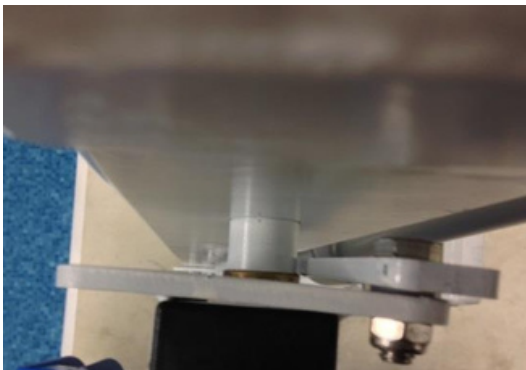
4



5



6



7



8

4. Tighten nut until snug against the bushing. Do not over tighten.
5. Locate the seat stabilizer bar, and raise it up and behind the triangle so that the bar is situated in between the triangle, and the main beam.
6. Insert the bolt that is pre-attached, ensuring that the 3 nylon washers are spaced in between the nut, the triangle and bar, and the bolt head. Tighten the nut until snug, but do not over tighten.
- 7 & 8. Finished Seat tube assembly.



INSTALLATION MANUAL

SEAT AND FOOT REST PARTS LIST

- 1 - Seat
- 1 - Foot Rest
- 2 - Arm Rests
- 1 - Seat Belt & Buckle
- 3 - 5/16 x 3" Attaching Pin with lock nut
- 1 - 5/16 x 2" Foot Rest attaching bolt w/ nut



INSTALLATION STEPS



Picture A

Step 1:

Unpack your custom seat (picture A). Loose Items will consist of:

- Foot Rest and Tube
- 3 - 5/16" x 3" Bolt with Lock nut



INSTALLATION STEPS



Picture A



Picture B

Step 2:

Align your custom seat (Picture A), with 3 pre-drilled holes as shown.

Step 3:

Once you have the seat in place, take one 5/6" x 3" bolt and slide it through the pre-drilled holes (Picture B). Once you have inserted the bolt all the way through, apply the locking nut (supplied) and tighten down.

Step 4:

Locate the other 2 -5/16 x 3" securing bolt (supplied), insert the bolt through the pre-drilled Seat and tube holes (As shown). Once you have the bolt inserted, secure the installation With the lock nut that is provided and tighten down.





INSTALLATION STEPS FOOT REST



Picture A



Picture B

Step 5:

In picture A, slide the foot tube through the foot rest sleeve and line the hole to the Slot. In picture B, locate the 5/16" x 2" bolt and insert into the pre-drilled holes to secure the foot rest to the lift. Place the lock nut on the bolt and tighten down. Once that is complete, you are ready to enjoy your Global Pool Products pool lift.



LEGEND SERIES REVERSIBLE INSTRUCTIONS

1. Rotate Actuator

- a. Using a $\frac{3}{4}$ " wrench and a $\frac{3}{4}$ " socket on a ratchet, loosen the two bolts attaching the actuator to the lift
- b. Once loosened remove bolts taking care to not lose any spacers, nuts or bolts (taking a picture of how the spacers are oriented before removing them will help in reassembly later)
- c. Rotate actuator around so the ends are at the same points on the lift but the round extended portion of the actuator (that attaches to the base) is on the other side allowing the seat to clear in its load position.
- d. Install bolts with spacers in the same orientation and tighten back up



Rotate so this is on the
opposite side of the
seat



2. Swap leveling Bracket

- a. Loosen the nut holding the leveling bracket to the base and swap to the other side of the base, making sure the stud that goes through the seat tube bracket is facing away from the lift
- b. Swap the stud cover cap to the unused side and tighten the nut down to finish installing the leveling bracket



Make sure this is pointing out when installed on the correct side

Remove this nut and install all components on the other side

3. Seat Tube installation

- a. Install the seat tube the same as normal just from the opposite side and while installing line up and install the leveling bracket stud through the seat tube bracket and push all the way through.
- b. Once everything is lined up install a nut on the seat tube bolt and leveling bracket bolt and tighten both down.

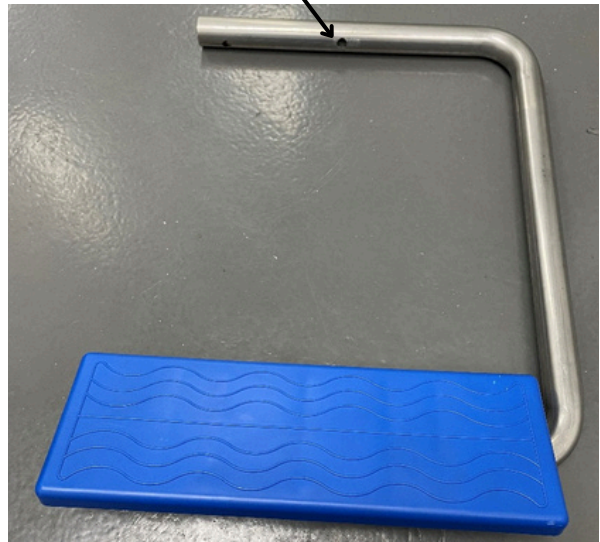
4. Foot Rest

- a. Loosen the two bolts attaching the foot rest to the bracket and swap to the second set of holes
- b. Once aligned and bolts are through reinstall nuts and tighten them down.
- c. To install on lift slide foot rest bracket into the seat tube from the opposite side as normal and use the hole further from the edge of the tube to line up and install in seat tube.

Standard Setup how it ships



Align to the other bolt holes to configure like this
Use this bolt hole to install into seat tube



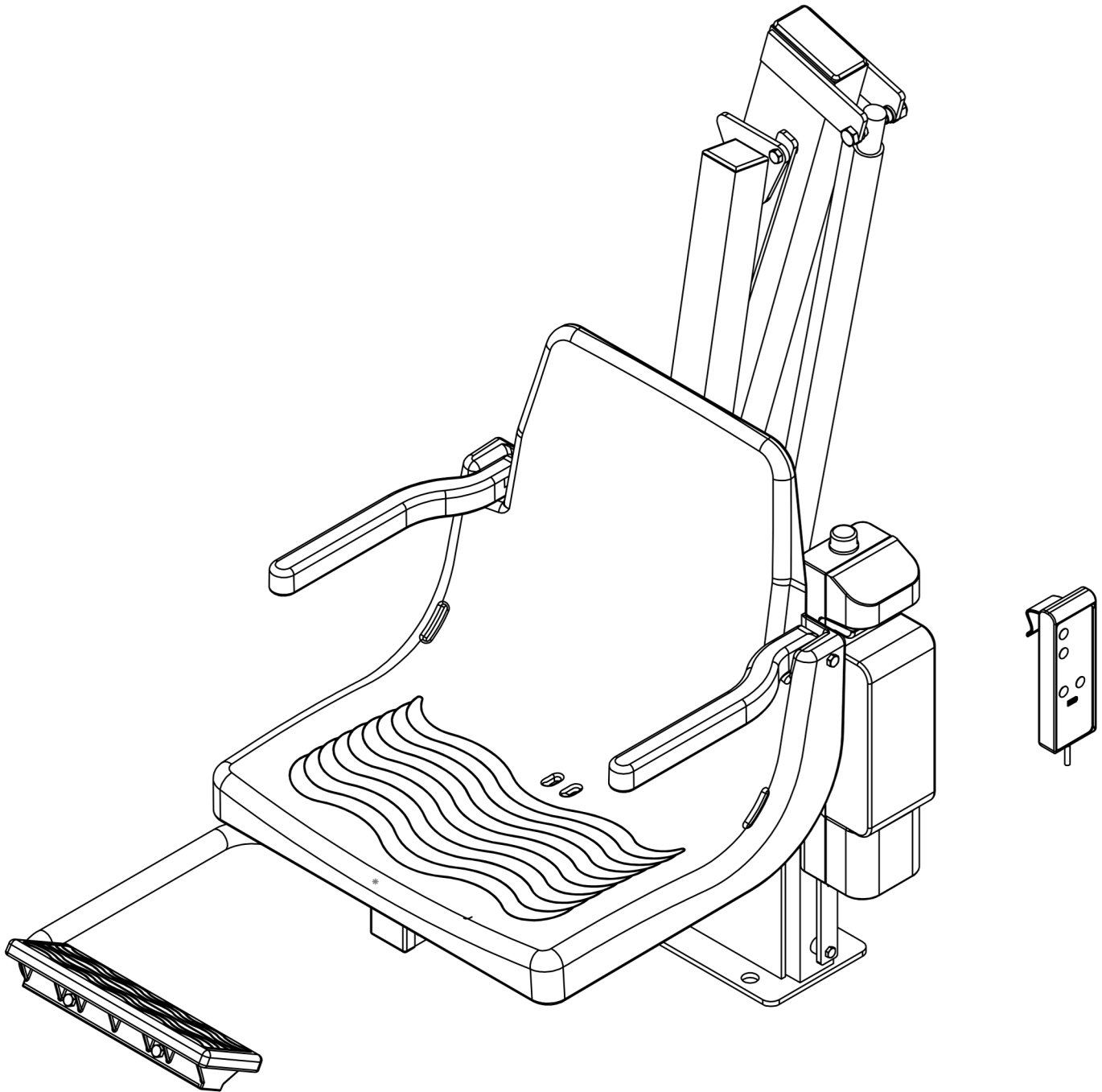
NOTES:

REV.

DESCRIPTION

DATE

APVD.



MATERIAL:

SCALE: 1:5	REV: 100	10/1/2013	DWR: B.E.
------------	----------	-----------	-----------

WEIGHT:	MACH WEIGHT:	APVD BY: J.I.
---------	--------------	---------------

DO NOT SCALE DRAWING
UNLESS OTHERWISE SPECIFIED
DIMENSIONS ARE IN INCHES
TOLERANCES ARE:

X. = ±.125	FRACTIONAL DIMENSIONS ±.125
XX. = ±.062	FILED RADII .000 THRU ±.094
XXX. = ±.031	HOLES .000 THRU .015
	ANGLES ± 1 DEGREE

PROPRIETARY AND CONFIDENTIAL

THE INFORMATION CONTAINED IN THIS DRAWING IS THE SOLE PROPERTY OF Global Lift Corporation. ANY REPRODUCTION IN PART OR AS A WHOLE WITHOUT THE WRITTEN PERMISSION OF Global Pool Products IS PROHIBITED.

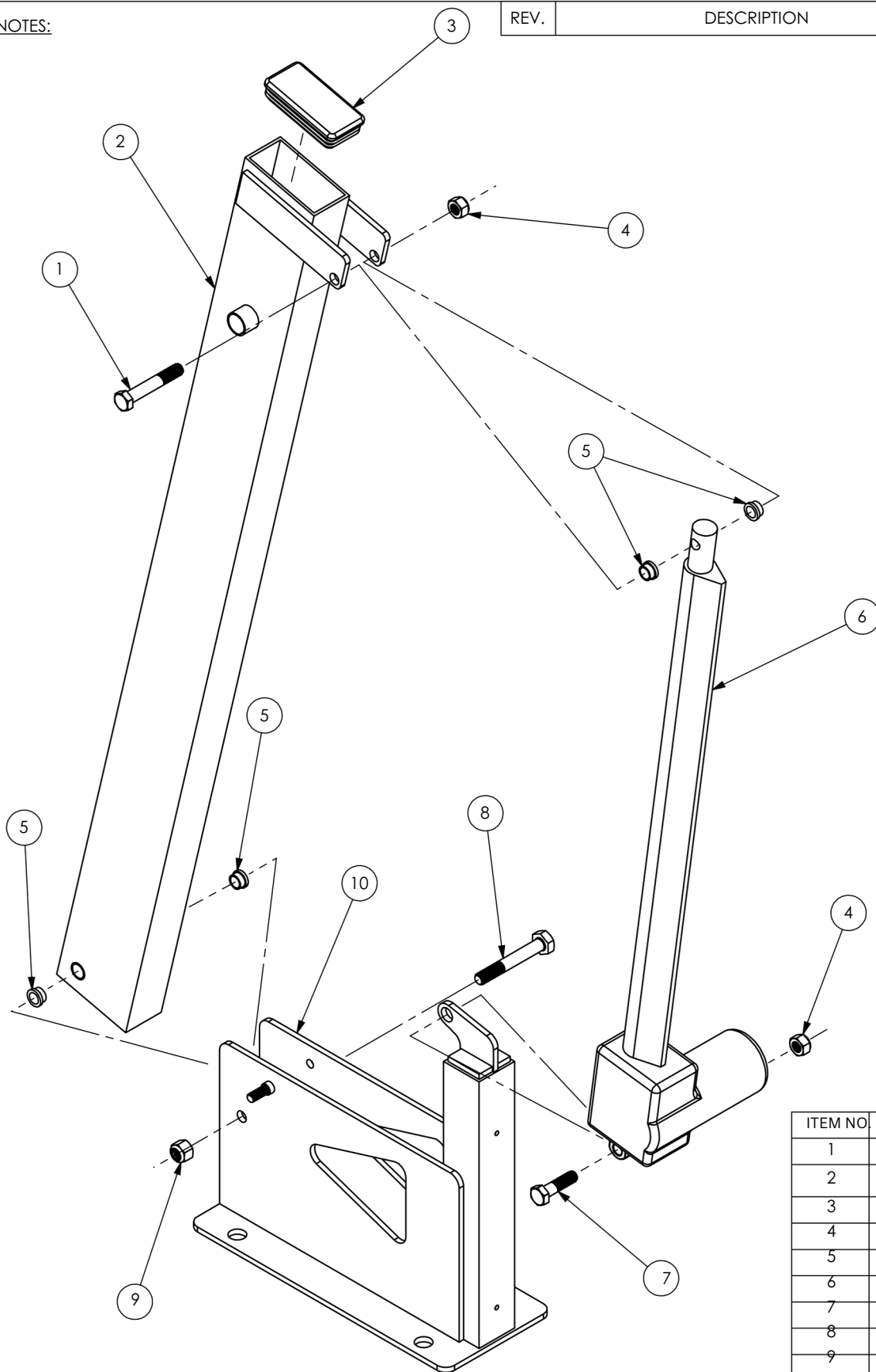


1330 Pigeon Rd
Bad Axe, MI 48413

TITLE:	L-350R2 COVER
DWG. NO.	L-350R2

NOTES:

REV.	DESCRIPTION	DATE	APVD.
------	-------------	------	-------



ITEM NO.	PART NUMBER	DESCRIPTION	QTY.
1	BOLT-M12-70	BOLT	1
2	LGLCMB-0	MAIN BEAM	1
3	PLASCAP-5	PLASTIC CAP	1
4	NUT-M12	NUT	2
5	BUSH50-375	BUSHING	4
6	T5068-1	ACTUATOR	1
7	BOLT-M12-40	BOLT	1
8	BOLT5-13-3	BOLT	1
9	NUT5-13	NUT	1
10	LGLCBP-0	BASE PLATE	1

MATERIAL:

SCALE: 1:6	REV: 100	12/29/2015	DWR: B.E.
WEIGHT: LBS	MACH WEIGHT: LBS	APVD BY: J.I.	



1330 Pigeon Rd
Bad Axe, MI 48413

TITLE: L-350R2 LEGEND SERIES

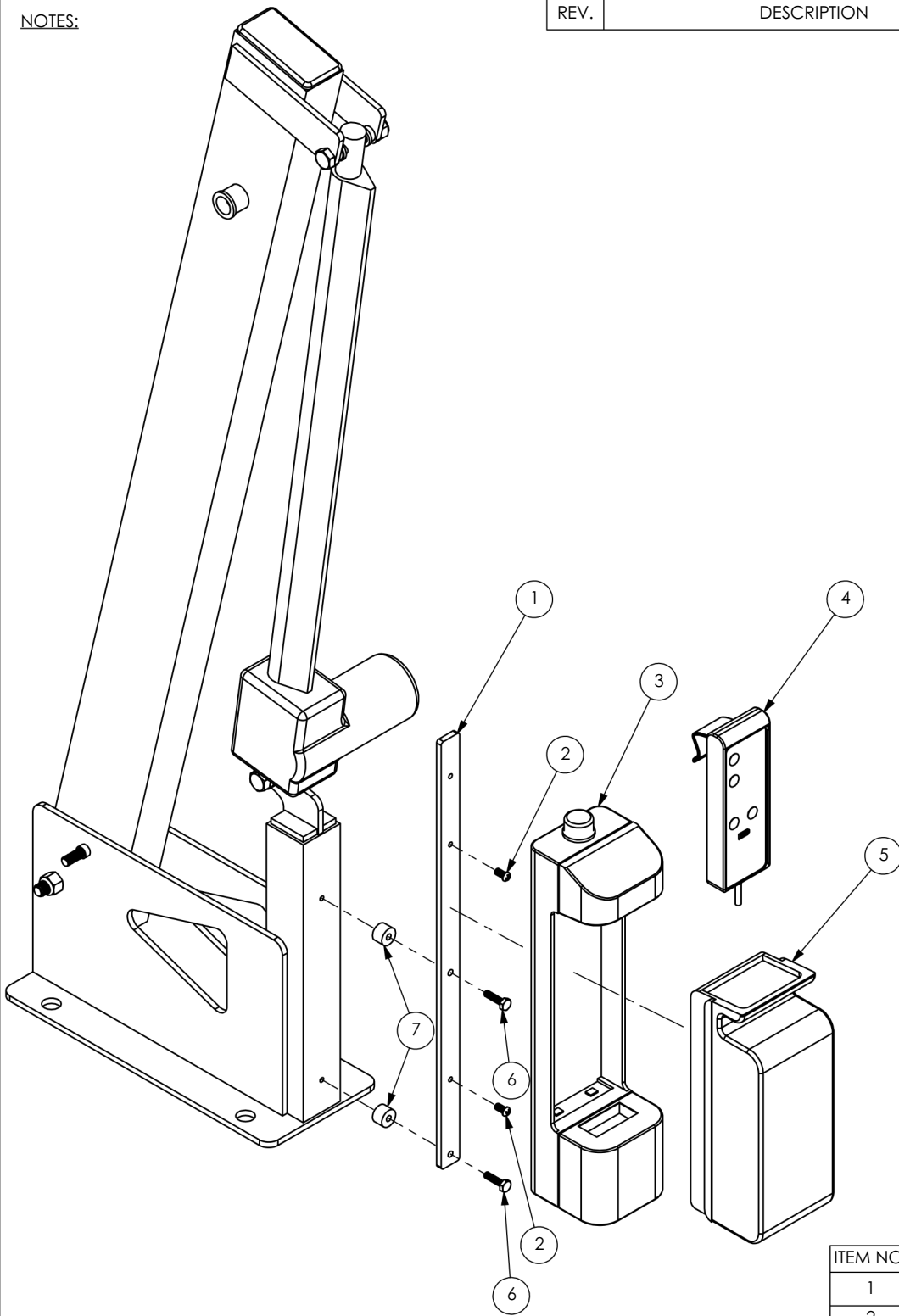
DWG. NO. MAIN BEAM & ACTUATOR

DO NOT SCALE DRAWING
UNLESS OTHERWISE SPECIFIED
DIMENSIONS ARE IN INCHES
TOLERANCES ARE:
X. = ± .125 FRACTIONAL DIMENSIONS ± .125
XX. = ± .062 FILLET RADII .000 THRU ± .094
XXX. = ± .031 HOLES .000 THRU .015

PROPRIETARY AND CONFIDENTIAL
THE INFORMATION CONTAINED IN THIS DRAWING IS THE SOLE
PROPERTY OF Global Lift Corporation. ANY REPRODUCTION IN
PART OR AS A WHOLE WITHOUT THE WRITTEN PERMISSION OF
Global Pool Products IS PROHIBITED.

NOTES:

REV.	DESCRIPTION	DATE	APVD.
------	-------------	------	-------



ITEM NO.	PART NUMBER	DESCRIPTION	QTY.
1	LGLCBP-6	BRACKET	1
2	RGLC25X.5BHB	BOLT	2
3	T5068-5	CONTROL BOX	1
4	T5068-4	HANDSET	1
5	T5068-2	BATTERY	1
6	BOLT25-20-1	BOLT	2
7	LGLCSPACER	SPACER	2

MATERIAL:

SCALE: 1:7	REV: 100	DATE: 4/29/2015	DWR: B.E.
WEIGHT: LBS	MACH WEIGHT: LBS	APVD BY: J.I.	
DO NOT SCALE DRAWING UNLESS OTHERWISE SPECIFIED DIMENSIONS ARE IN INCHES TOLERANCES ARE: X. = .125 FRACTIONAL DIMENSIONS XX. = .062 FILLET RADII .000 THRU .594 XXX. = .031 Holes: .000 THRU .015 ANGLES: 1 DEGREE	<p>PROPRIETARY AND CONFIDENTIAL</p> <p>THE INFORMATION CONTAINED IN THIS DRAWING IS THE SOLE PROPERTY OF Global Lift Corporation. ANY REPRODUCTION IN PART OR AS A WHOLE WITHOUT THE WRITTEN PERMISSION OF Global Pool Products IS PROHIBITED.</p>		

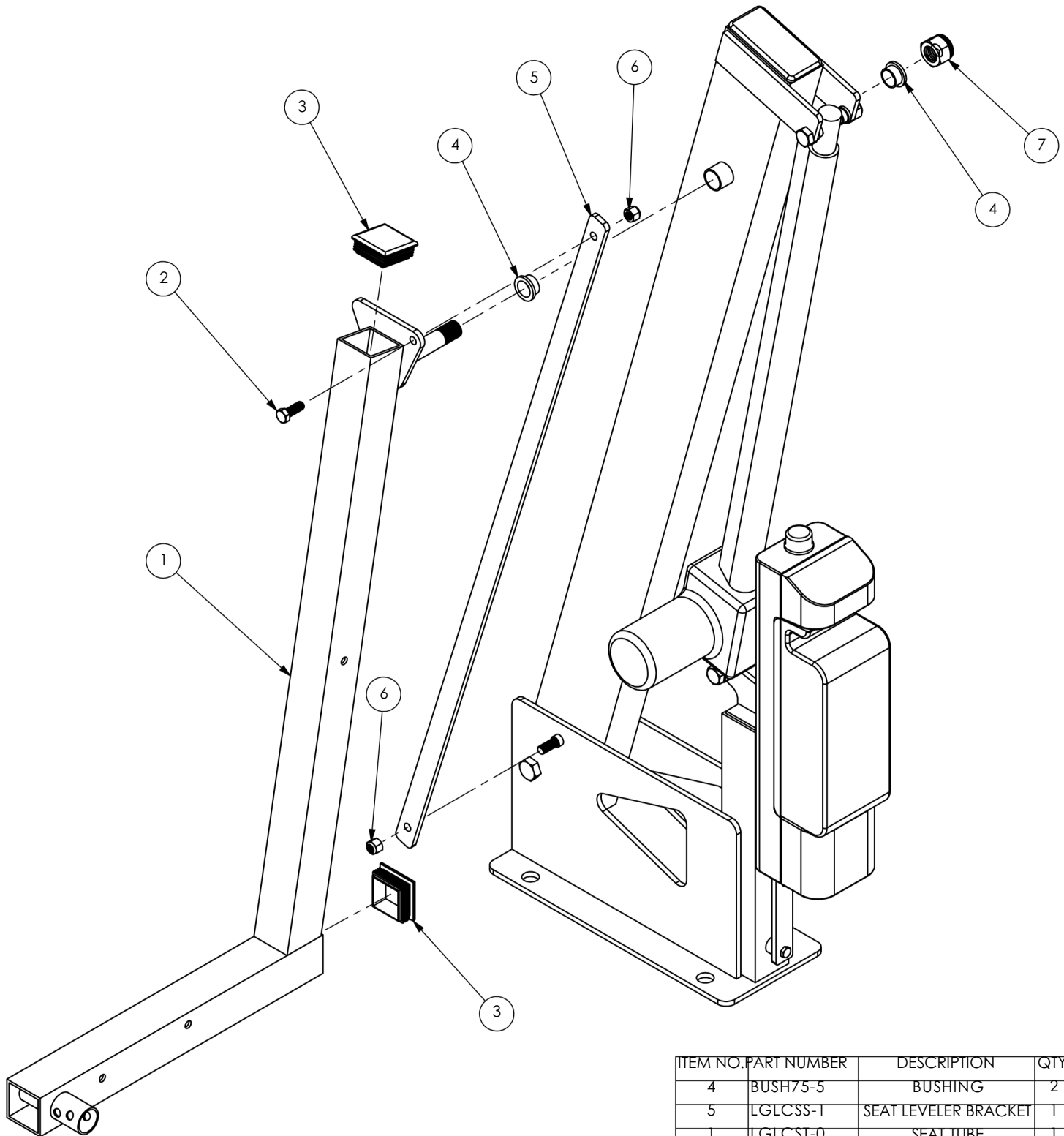


1330 Pigeon Rd
Bad Axe, MI 48413

TITLE:	L-350R2 LEGEND SERIES
DWG. NO.	CONTROL BOX & BATTERY

NOTES:

REV.	DESCRIPTION	DATE	APVD.
------	-------------	------	-------



ITEM NO.	PART NUMBER	DESCRIPTION	QTY.
4	BUSH75-5	BUSHING	2
5	LGLCSS-1	SEAT LEVELER BRACKET	1
1	LGLCST-0	SEAT TUBE	1
3	RPLASCAP2	PLASTIC CAP	2
6	NUT375-16-2	NUT	2
7	NUT75-10	NUT	1
2	BOLT375-16-1	BOLT	1

MATERIAL:

SCALE: 1:5	REV: 100	10/1/2013	DWR: B.E.
WEIGHT:	MACH WEIGHT:	APVD BY: J.I.	

DO NOT SCALE DRAWING
UNLESS OTHERWISE SPECIFIED
DIMENSIONS ARE IN INCHES
TOLERANCES ARE:

X. = .125 FRACTIONAL DIMENSIONS .125
XX. = .002 FILLET RADII .000 THRU .250
XXX. = .031 HOLES .000 THRU .015
ANGLES 1 DEGREE

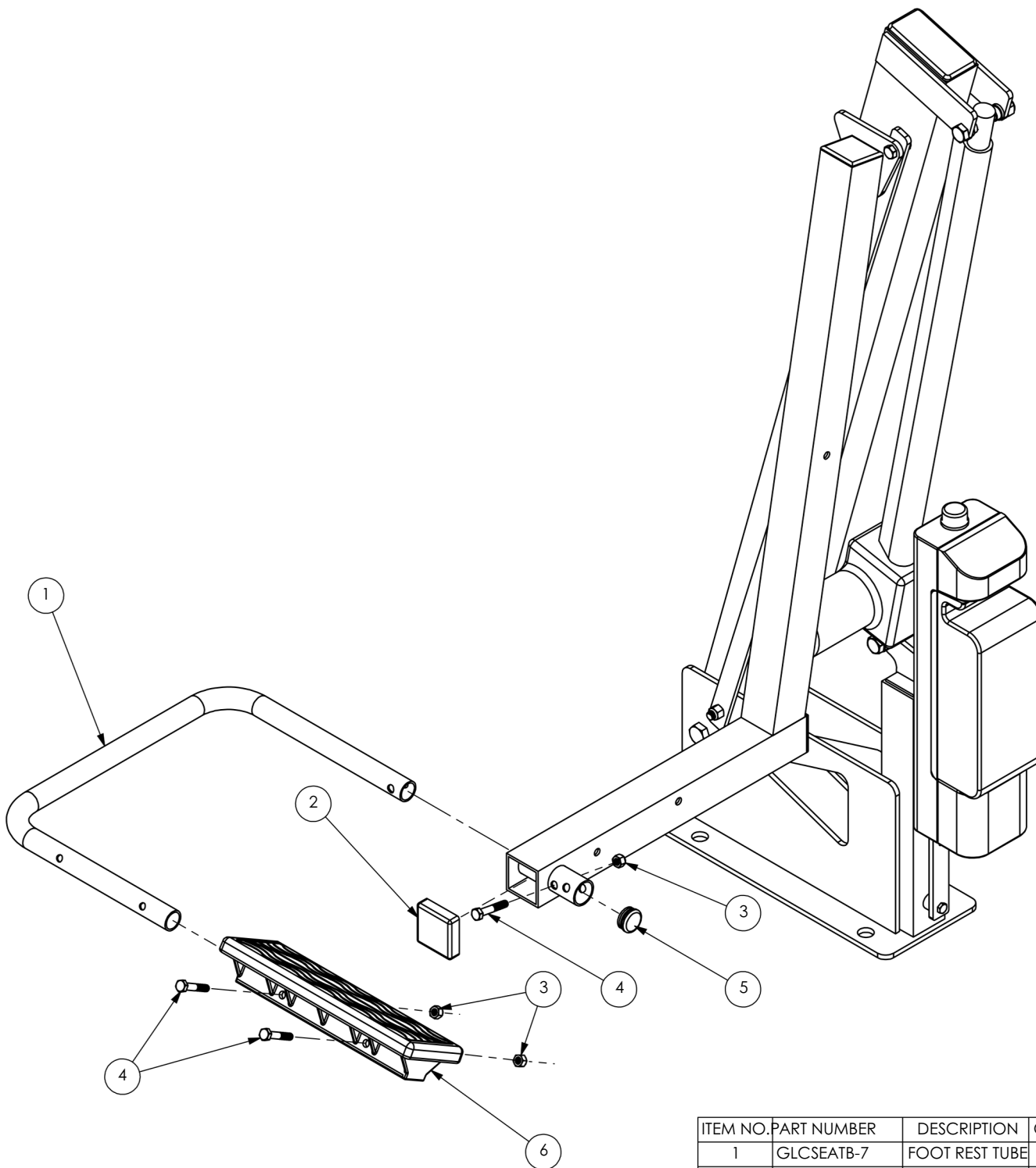
PROPRIETARY AND CONFIDENTIAL

THE INFORMATION CONTAINED IN THIS DRAWING IS THE SOLE
PROPERTY OF Global Lift Corporation. ANY REPRODUCTION IN
PART OR AS A WHOLE WITHOUT THE WRITTEN PERMISSION OF
Global Pool Products IS PROHIBITED.



1330 Pigeon Rd
Bad Axe, MI 48413

TITLE:	L-350R2 SEAT TUBE
DWG. NO.	L-350R2



ITEM NO.	PART NUMBER	DESCRIPTION	QTY.
1	GLCSEATB-7	FOOT REST TUBE	1
2	RPLASCAP-2	PLASTIC CAP	1
3	NUT313-18	NUT	3
4	BOLT313-18-1.75	BOLT	3
5	PLASCAP-1	PLASTIC CAP	1
6	GLCSEATB-9	FOOT REST	1

MATERIAL:

SCALE: 1:5	REV: 100	10/1/2013	DWR: B.E.
WEIGHT:	MACH WEIGHT:		APVD BY: J.I.

DO NOT SCALE DRAWING
UNLESS OTHERWISE SPECIFIED
DIMENSIONS ARE IN INCHES
TOLERANCES ARE:

X = $\pm .125$
XX = $\pm .062$
XXX = $\pm .031$

FRACTIONAL DIMENSIONS $\frac{1}{16}$ TO $\frac{1}{2}$
FILLET RADI .000 THRU $\frac{1}{8}$ = .064
HOLES .000 THRU .015
ANGLES $\frac{1}{2}$ DEGREE

PROPRIETARY AND CONFIDENTIAL

THE INFORMATION CONTAINED IN THIS DRAWING IS THE SOLE
PROPERTY OF Global Lift Corporation. ANY REPRODUCTION IN
PART OR AS A WHOLE WITHOUT THE WRITTEN PERMISSION OF
Global Pool Products IS PROHIBITED.



1330 Pigeon Rd
Bad Axe, MI 48413

TITLE:

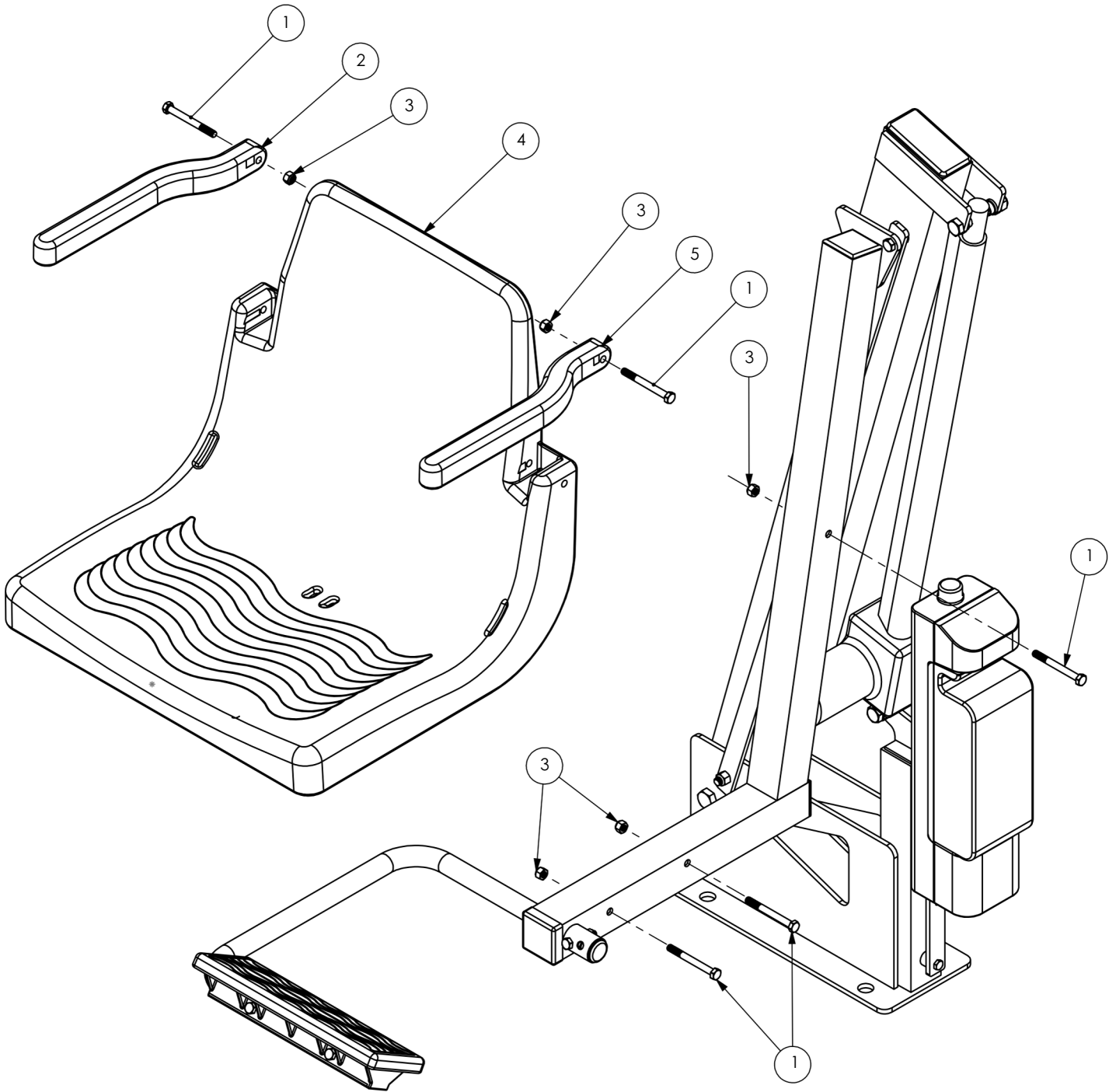
L-350R2
FOOTREST

DWG. NO.

L-350R2

NOTES:

REV.	DESCRIPTION	DATE	APVD.
------	-------------	------	-------



ITEM NO.	PART NUMBER	DESCRIPTION	QTY.
1	BOLT313-18-3	BOLT	5
2	GLCSEATB-6R	ARM REST, RIGHT	1
3	NUT313-18	NUT	8
4	GLCSEATB-1	SEAT	1
5	GLCSEATB-6L	ARM REST, LEFT	1

MATERIAL:

SCALE: 1:5	REV: 100	10/1/2013	DWR: B.E.
WEIGHT:	MACH WEIGHT:	APVD BY: J.I.	

DO NOT SCALE DRAWING
UNLESS OTHERWISE SPECIFIED
DIMENSIONS ARE IN INCHES
TOLERANCES ARE:
X₁/₂ .125 FRACTIONAL DIMENSIONS .125
XX₁/₂ .062 FILLET RADI .000 THRU .094
XXX₁/₂ .031 HOLES .000 THRU .015
ANGLES 1 DEGREE

PROPRIETARY AND CONFIDENTIAL
THE INFORMATION CONTAINED IN THIS DRAWING IS THE SOLE
PROPERTY OF Global Lift Corporation. ANY REPRODUCTION IN
PART OR AS A WHOLE WITHOUT THE WRITTEN PERMISSION OF
Global Pool Products IS PROHIBITED.



1330 Pigeon Rd
Bad Axe, MI 48413

TITLE:	L-350R2 SEAT EXPLODE
DWG. NO.	L-350R2