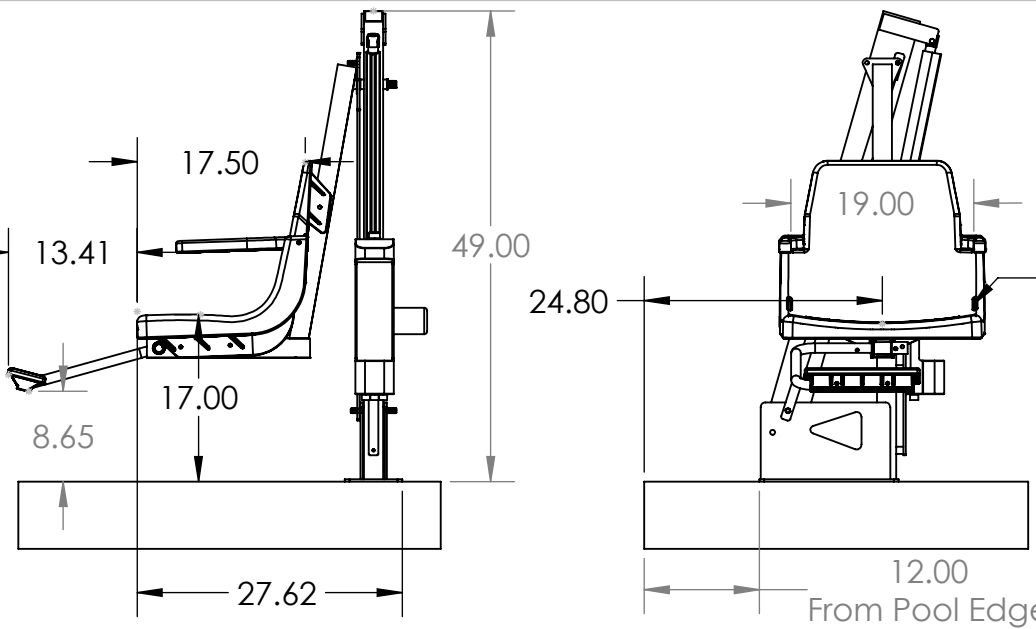


2

1

B

B



### Features

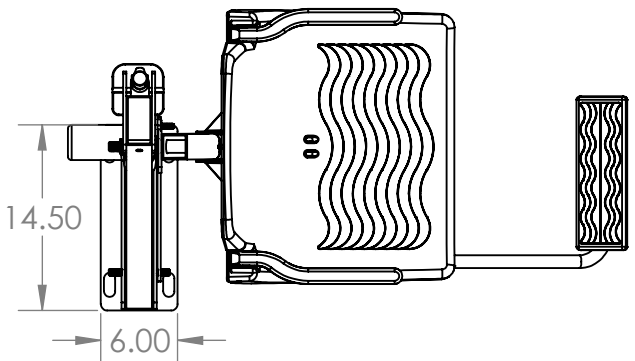
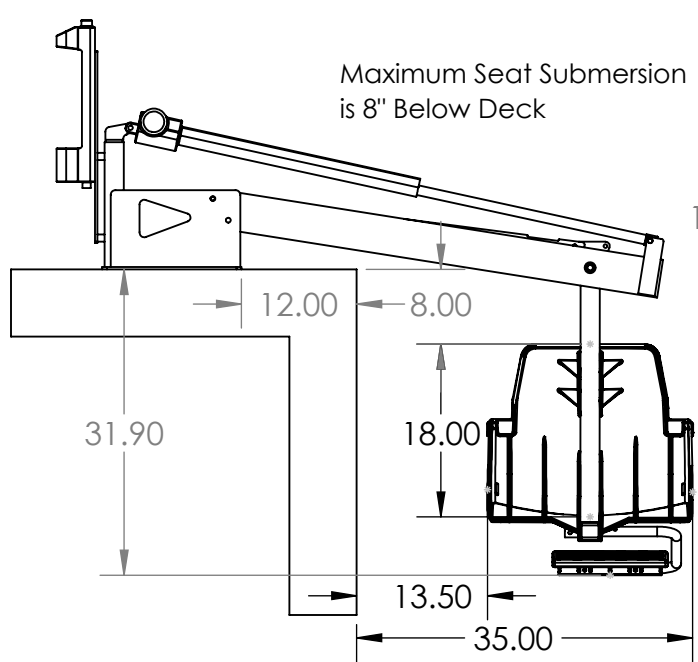
- \* ADA Compliant
- \* 325 Pound Weight Capacity
- \* Powder Coat Finish
- \* Stainless Steel Construction
- \* User Friendly Controls
- \* Field Reversible
- \* Rechargeable Battery with Charger
- \* UV Resistant
- \* Arm Rests
- \* Foot Rest
- \* Safety Seat Belt
- \* UPS Shippable
- \* 5 Year Structural Warranty

12" Minimum Setback  
17" Maximum Setback

12.00  
From Pool Edge

A

A

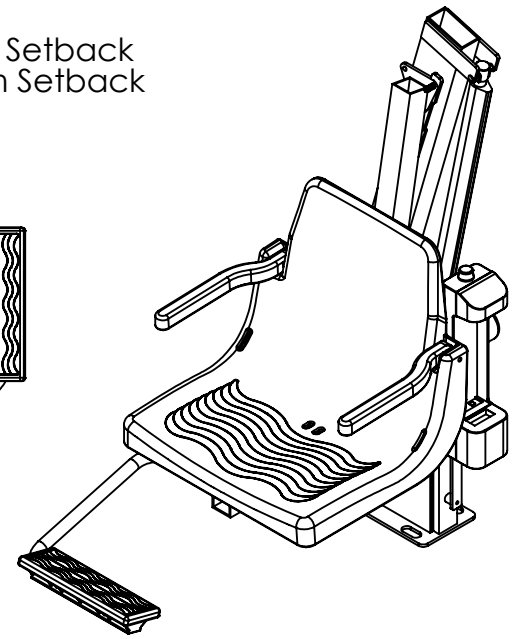


### Model: L-325

Weight Capacity: 325 Pounds

#### Tolerances

Dimensions are in Inches  
Unless Otherwise Specified  
Two Decimal Places:  $\pm .125"$   
Angular:  $\pm 1^*$



Material: 304 Stainless Steel  
Finish: Powder Coat  
Approx Weight: 150 Pounds



PROPRIETARY AND CONFIDENTIAL

THE INFORMATION CONTAINED IN THIS DRAWING IS THE SOLE PROPERTY OF Global Pool Products. ANY REPRODUCTION IN PART OR AS A WHOLE WITHOUT THE WRITTEN PERMISSION OF Global Pool Products IS PROHIBITED.

This Document is for REFERENCE ONLY

2

1