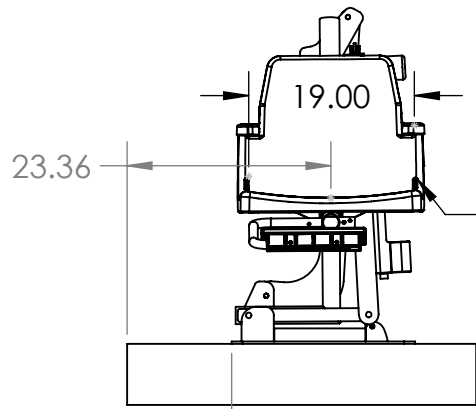
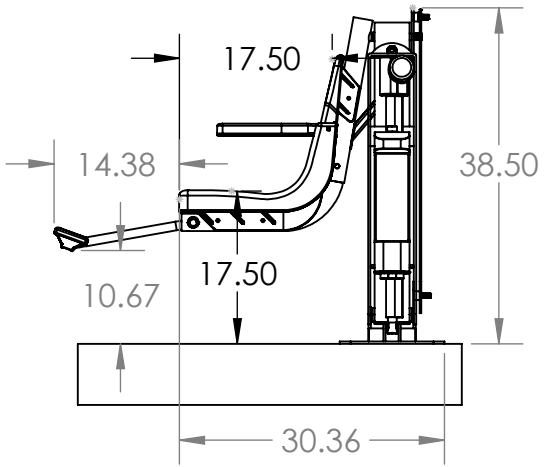


2

1

B

B



Seat Belt

12.00 From Pool Edge  
 12" Minimum Setback  
 17" Maximum Setback

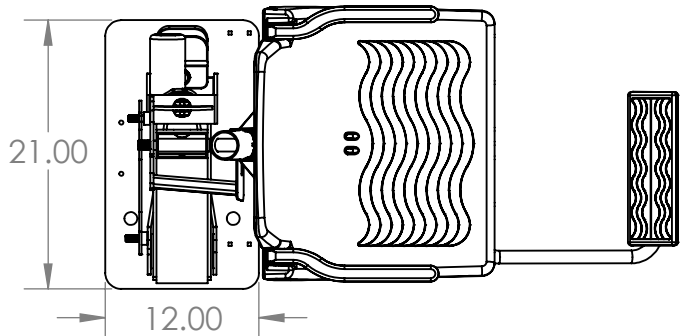
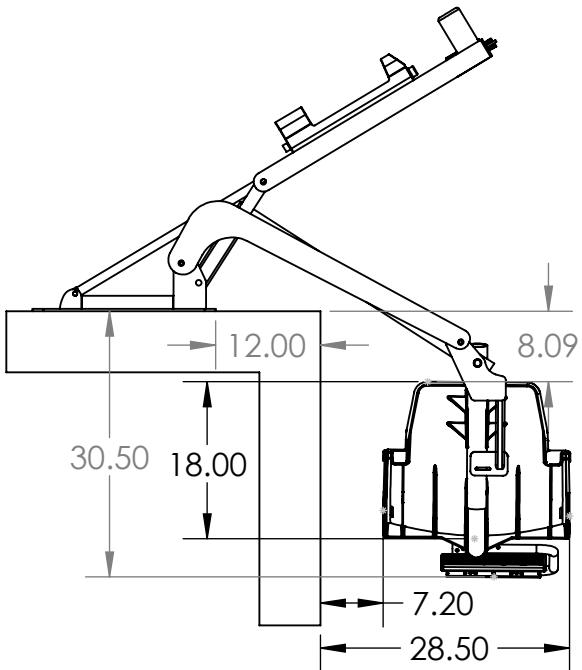
Maximum Seat Submersion  
 is 8" Below Deck

### Features

- \* ADA Compliant \*375 Pound Weight Capacity
- \* Powder Coat Finish \* Stainless Steel Construction
- \* User Friendly Controls \* Right Seat Position
- \* Rechargeable Battery with Charger
- \* UV Resistant \* Arm Rests \* Foot Rest
- \* Safety Seat Belt \* UPS Shippable
- \* Lifetime Structural Warranty
- \* For Spas and Pools

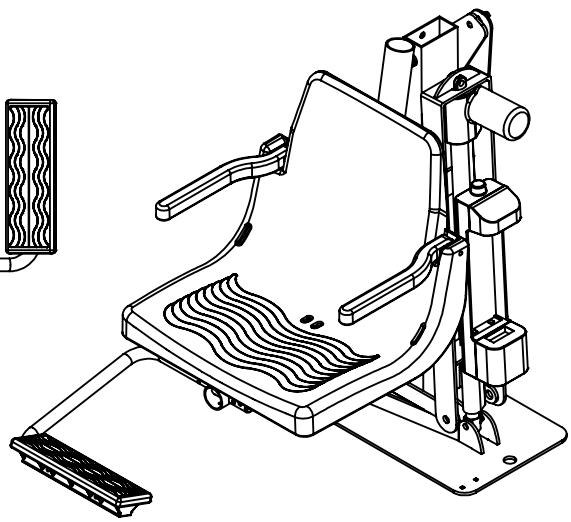
A

A



**Model: C-375**  
**Weight Capacity: 375 Pounds**

TOLERANCES  
 DIMENSIONS ARE IN INCHES  
 UNLESS OTHERWISE SPECIFIED  
 TOLERANCES:  
 TWO PLACE DECIMAL ± .125"  
 ANGULAR ± 1\*



Material: 304 Stainless Steel  
 Finish: Powder Coat  
 Approx Weight: 150 Pounds



PROPRIETARY AND CONFIDENTIAL  
 THE INFORMATION CONTAINED IN THIS DRAWING IS THE SOLE PROPERTY OF  
 GLOBAL POOL PRODUCTS. ANY REPRODUCTION IN PART OR AS A WHOLE  
 WITHOUT WRITTEN PERMISSION OF GLOBAL POOL PRODUCTS IS PROHIBITED.

This Document is for REFERENCE ONLY

2

1