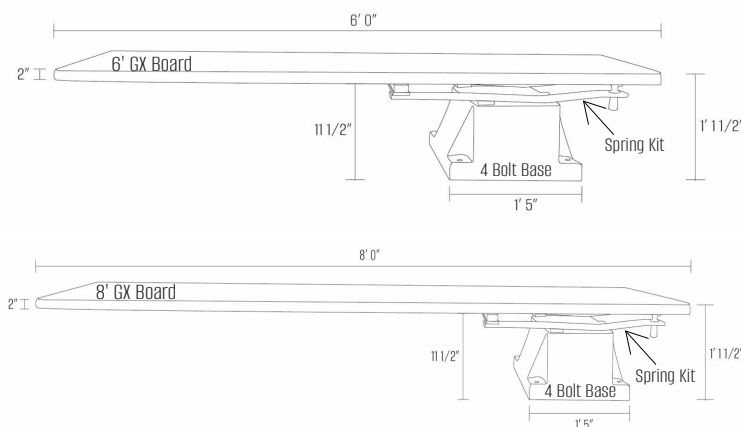
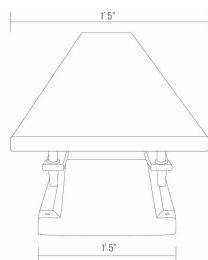


GX Diving Board with 4 Bolt Base™

- Available in 6' or 8' boards
- UV resistant thermal formed shell
- Heavy duty fiberglass reinforcement
- Laminated solid core
- Salt water friendly
- Board and base sold separately
- Weight Limit: 250 lbs./113 kg.



Sand "-S"



White "-W"



Grey "-G"

Part Numbers	Descriptions
GPP-DB-GX6	6' GX Diving Board
GPP-DB-GX8	8' GX Diving Board
GPP-DB-4B	4 Bolt Base for 6' or 8' GX Diving Board with Jig
GPP-DB-6SK	4 Bolt Spring Kit for 6' GX Diving Board
GPP-DB-8SK	4 Bolt Spring Kit for 8' GX Diving Board
GPP-DB-4J	4 Bolt Jig

To select a color for board or base, add corresponding color code to the end of the part number above.
To order 4 bolt base with NO JIG, replace "4B" with "4BNJ".



4 Bolt Jig for 4 Bolt Base

