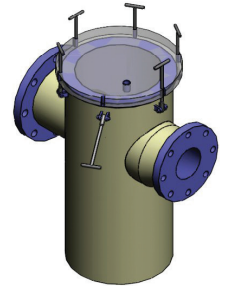
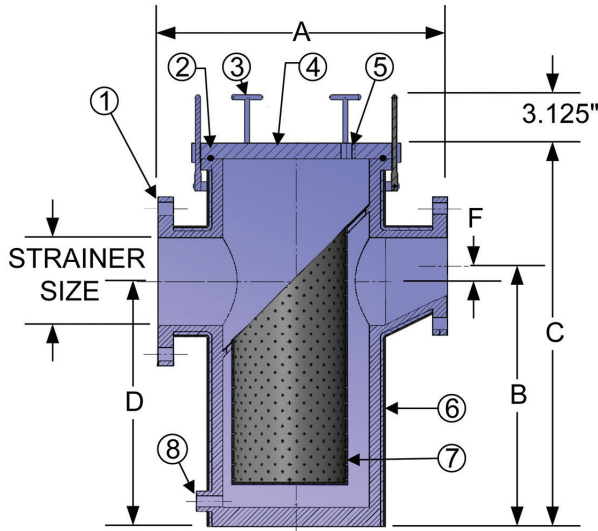


RSW SERIES REDUCING STRAINERS

Fiberglass Reinforced Plastic (FRP) Molded Hair & Lint Strainers
 Measurements Same for Stainless Steel as FRP models.



PRESSURE RATING = 50 PSI
 MAX TEMPERATURE = 140°F



MATERIALS LIST

Item	Part	Material
1	Flange	PVC
2	Gasket	O-Ring
3	T-Handle	SS316
4	Cover	Cast Acrylic
5	Vent	1/2" PVC FPT
6	Body	FRP
7	Basket	1/8" Perf SS316
8	Drain	PVC NPT

ENGINEERING DATA & PART NUMBERS

QTY	Part Numbers	Strainer Size (Inches)	Face to Face A (Inches)	Effluent Center Line B (Inches)	Height C (Inches)	Influent Center Line D (Inches)	Weight (LBS)	Notes
	RSW116103231	3 x 2	13	11	18	10-1/2	28	
	RSW116104331	4 x 3	15-3/4	12-1/8	20	11-5/8	32	
	RSW116106331	6 x 3	20-3/4	17-1/2	25	16	45	
	RSW116106431	6 x 4	21	17	25	16	46	
	RSW116106531	6 x 5	23	16-1/2	25	16	47	
	RSW116108331	8 x 3	25-3/4	24	33	21-1/2	64	
	RSW116108431	8 x 4	26-1/8	23-1/2	33	21-1/2	65	
	RSW116108531	8 x 5	28	23	33	21-1/2	65	
	RSW116108631	8 x 6	28	22-1/2	33	21-1/2	67	
	RSW116110431	10 x 4	29-5/8	26	37	23	82	
	RSW116110531	10 x 5	29-5/8	25-1/2	37	23	83	
	RSW116110631	10 x 6	29-5/8	25	37	23	84	
	RSW116110831	10 x 8	29-1/2	24	37	23	87	
	RSW116112631	12 x 6	33-1/8	34-5/8	45-1/2	31-5/8	138	
	RSW116112831	12 x 8	32-3/4	33-5/8	45-1/2	31-5/8	141	
	RSW1161121031	12 x 10	32-3/4	32-5/8	45-1/2	31-5/8	145	
	RSW116114631	14 x 6	42-1/2	36-1/2	47	32-1/2	168	
	RSW116114831	14 x 8	42-1/2	35-1/2	47	32-1/2	171	
	RSW1161141031	14 x 10	41-1/2	34-1/2	47	32-1/2	176	
	RSW1161141231	14 x 12	40-1/2	33-1/2	47	32-1/2	180	

Please inquire for larger sizes.

SPECIFICATION FOR STAINLESS STEEL BASKET STRAINERS

1.) SCOPE

THIS SPECIFICATIONS COVERS REQUIREMENTS FOR STAINLESS STEEL STRAINERS, WYE AND BASKET TYPES INTENDED FOR USE IN AQUATIC PIPING SYSTEMS WHERE MAXIMUM RESISTANCE TO CORROSION, PRESSURE AND TEMPERATURE IS REQUIRED.

2.) STRAINER DESIGN

- 2.1 Strainer shall be flanged basket (or wye) type.
- 2.2 Body configuration shall be 1. in-line, 2. offset, 3. angled in-line (select one)
- 2.3 Basket shall be 316 SS, Perforations 1/8" on 3/16" staggered centers or as required. Basket shall be heavy duty- consisting of 12 gauge basket flanges and a minimum of 18 gauge perforated stainless.
- 2.4 Minimum open area ratio of basket to inlet pipe ID shall be 4 to 1.
- 2.5 All strainers shall be furnished with minimum 1/2" threaded drain, two 1/4" threaded pressure taps and one 1-1/2" threaded vacuum port.
- 2.6 Cover shall be clear acrylic- minimum 1" thick with 1/2" threaded vent tap- gasket material EPDM. Closure shall be stainless steel "tee handle" design.
- 2.7 Strainer shall be rated for 50 psi (NON SURGE LOAD) at 75 deg. F. Will be hydrostatically tested to 1-1/2 times design pressure.
- 2.8 Vendor shall supply min 5 years service history of applications in similar service.
- 2.9 Strainers shall be as manufactured by Fluidtrol Process Technologies, Inc.

3.)CONSTRUCTION

- 3.1 Strainer body shall be SCH 10 304 SS.
- 3.2 Cover closure shall be stainless steel "tee handle" design machined from solid rod stock- 316 SS.
- 3.3 Flanges shall be 150# Van Stone dimensions- 304 SS Stub ends and 304 SS back-up rings.
- 3.4 All exterior coated with corrosion resistant stainless flake paint.

4.0) STANDARDS

4.1 All products/materials/welding shall conform to or exceed the specifications as set forth in the following standards:

AWSD1.1 AWS D1.3 ASME B31.4 ASME B31.9