

PRODUCTION QUESTIONNAIRE

Please note that any alterations made to this form will not be accepted

THIS ORDER CANNOT BE PROCESSED UNTIL WE RECEIVE THE FOLLOWING:

Dealer Name: _____ **Date:** _____

Your Name: _____ **Purchase Order #:** _____

1. What is the name of the Pool or Jobsite: _____
2. Installation location address: _____
3. What type of facility? _____ What is the depth of the pool? _____
4. Please select the stand you are purchasing, and the board being installed on the stand:

Stand	Board			
<input type="checkbox"/> Short Stand	<input type="checkbox"/> 16' Maxi-B	<input type="checkbox"/> 16' Duraflex	<input type="checkbox"/> 14' Duraflex	<input type="checkbox"/> Other _____
<input type="checkbox"/> New Short Stand	<input type="checkbox"/> 16' Maxi-B	<input type="checkbox"/> 16' Duraflex	<input type="checkbox"/> 14' Duraflex	<input type="checkbox"/> Other _____
<input type="checkbox"/> One Meter	<input type="checkbox"/> 16' Maxi-B	<input type="checkbox"/> 16' Duraflex	<input type="checkbox"/> 14' Duraflex	<input type="checkbox"/> Other _____
<input type="checkbox"/> Three Meter	<input type="checkbox"/> 16' Maxi-B	<input type="checkbox"/> 16' Duraflex	<input type="checkbox"/> 14' Duraflex	<input type="checkbox"/> Other _____

1. Is this a replacement Duraflex stand? _____ IF Yes, What is top of board to water height? _____

2. Is this an additional stand? _____ Stand Tag# _____ Board Tag# _____

3. If "Yes" to #5 or #6, please provide casting number for the main support and ladder assembly:

Main Support Casting # _____ Ladder Casting # _____

4. Which anchors will you be using: Hilti (Existing Decks) Bronze Anchors (New Decks) Existing Other

5. What is the rate of slope of the deck where the stand will be located? _____ (in/ft)

Is the slope?: Toward Away Flat

6. What is the vertical distance between the level of the water and the level of the deck where the stand will be installed? _____

7. Are the anchors included on your purchase order? _____

8. Would you like the anchors shipped **before** the stand? _____ PO# _____

9. **NOTE:** If you are ordering a Short Stand, "C" dimension is required. See attachment for "C" dimension definition.

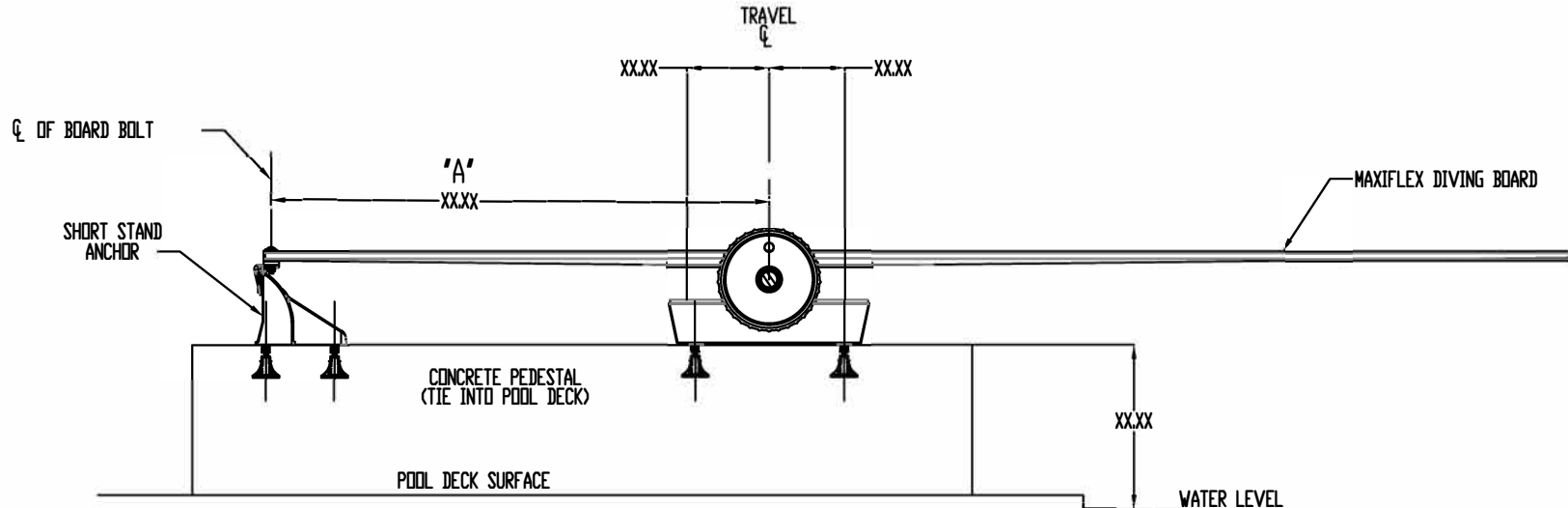
Additional Notes:

NOTE: Please submit any photos/drawing of the pool to expedite the approval process.

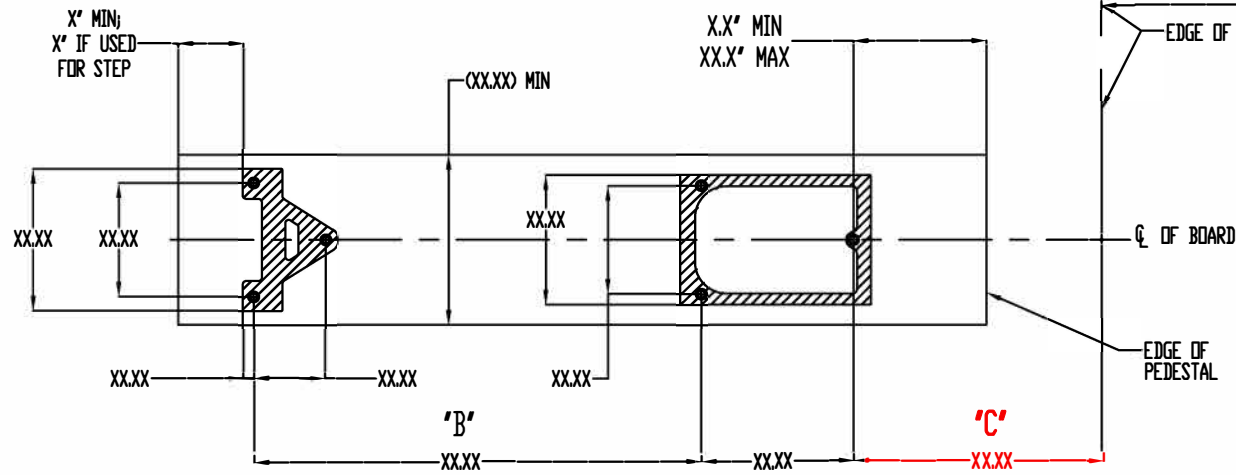
I understand that the information I have provided will be used to assign the proper stand for the deck dimensions stated above.

ATTENTION: DIMENSIONS IN INCHES
(METRIC DIMENSIONS IN CENTIMETERS)

BOARD: 16FT MAXIFLEX B
STAND: SHORT STAND/ PEDESTAL



SIDE ELEVATION

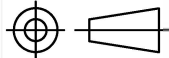


PLAN VIEW AT PEDESTAL

- NOTE:
1. EXCEEDING 20' MAX DIMENSION WILL RESULT IN A COLLISION BETWEEN THE BOARD AND PEDESTAL DURING USE.
 2. DEPENDING ON PEDESTAL, C AND D DIMENSIONS MAY CHANGE TO SATISFY 20' MAX DIMENSION.
 3. CONTRACTOR MUST SEE THAT DIVING WELL WILL MEET MINIMUM DEPTH AHEAD OF BOARD IF OVERHANG IS INCREASED.
 4. FOR THIS SHORT STAND, STEPS AND HANDRAILS TO BE DESIGNED BY ARCHITECT.
 5. DURAFIRM SHORT STANDS ARE ALSO OFFERED WITH HANDRAILS; SEE OTHER MODELS.

THIS DOCUMENT IS PROPERTY OF DURAFLEX INTERNATIONAL CORP. IT IS CONSIDERED "COMPANY CONFIDENTIAL" TO BE USED ONLY IN REFERENCE TO CONTRACTS ETC. OF THIS CORP. TO BE RETURNED UPON REQUEST. REPRODUCTION, UNAUTHORIZED USE OR DISCLOSURE TO THIRD PERSONS IS STRICTLY PROHIBITED.

DO NOT SCALE
THIRD ANGLE PROJECTION



UNLESS OTHERWISE SPECIFIED, ALL DIMENSIONS ARE IN INCHES.

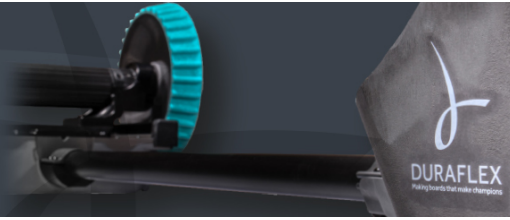
DESIGNED DFX	DATE 7/7/2007	APPROVAL	TITLE SHORT STAND SYSTEM NO RAIL
DRAWN L-GA	DATE 7/7/2007	NEXT ASSEMBLY -	USED ON SHORT STAND MAXIFLEX
FILENAME S000-L000-B328 & B330-R00	SHEET SCALE 1:26	SIZE A	DRAWING NUMBER S000-L000-B328-R00
		SHEET 1 OF 1	REV A



DURAFLEX INTERNATIONAL

160 WUNDTOD RD
SPARKS, NV 89434

PHONE: 775-343-0115
FAX: 775-343-0203



Dealer Sign Off Sheet

Duraflex requires that pool facilities meet WORLD AQUATICS Facility Standards for installation of any model of our Diving Boards and stands (both 16' and 14').

When placing an order with Duraflex that includes our diving board(s), our Dealer must sign off below that the pool facility meets WORLD AQUATICS criteria:

NAME OF FACILITY FOR INSTALLATION OF EQUIPMENT:

DEPTH OF POOL: _____

PRINT NAME: _____

SIGNATURE OF
REPRESENTATIVE: _____

DATE: _____

THIS SIGNED FORM MUST BE COMPLETED AND ACCOMPANY ALL ORDERS THAT INCLUDE AN ORDER FOR ANY MODEL DURAFLEX DIVING BOARD AND STAND.