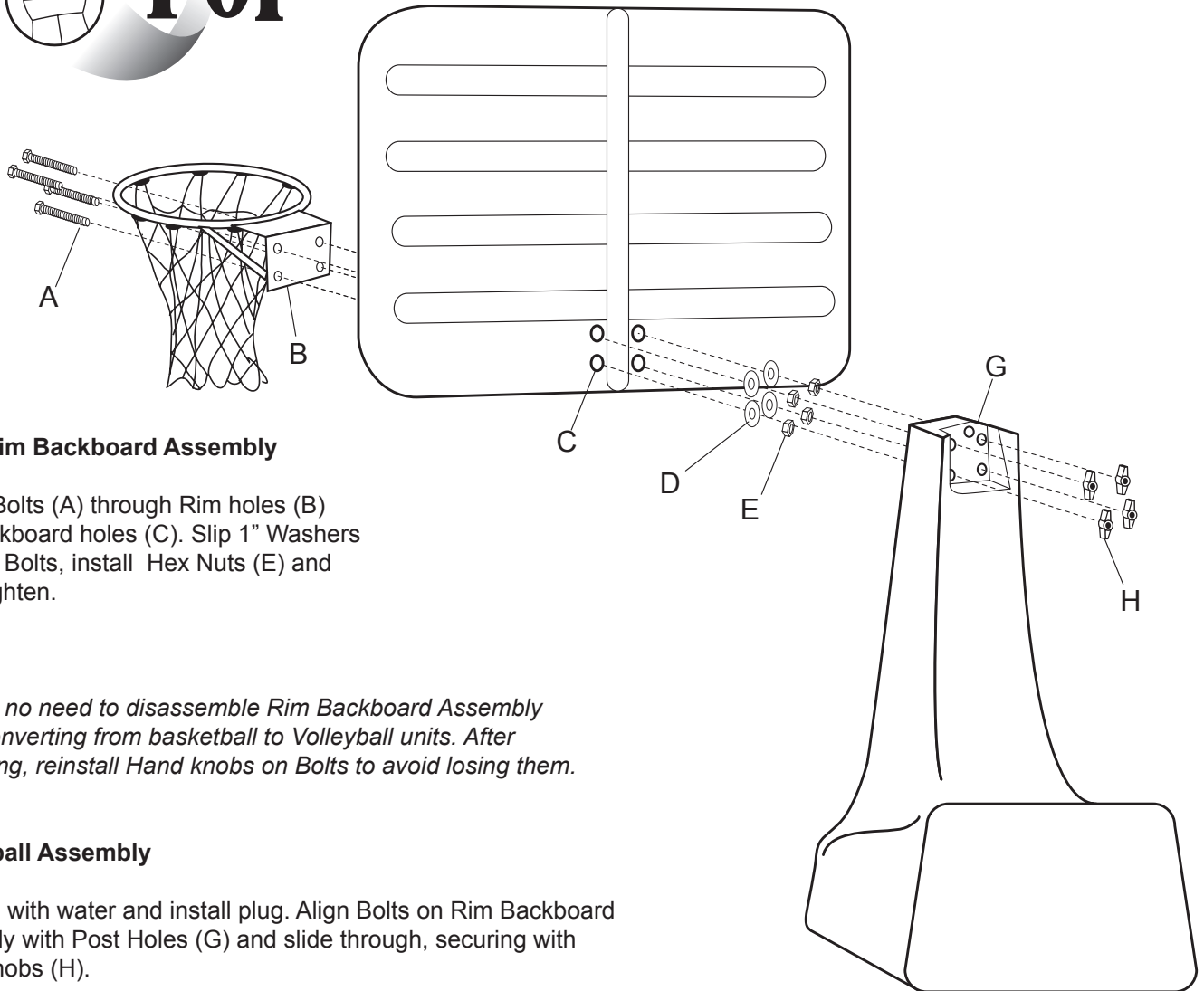




Item no. BV 700 Installation Instructions

Please read over the step-by step instructions to insure easy and quick assembly.



Initial Rim Backboard Assembly

Slide 4 Bolts (A) through Rim holes (B) and Backboard holes (C). Slip 1" Washers (D) over Bolts, install Hex Nuts (E) and finger tighten.

Tip

There is no need to disassemble Rim Backboard Assembly when converting from basketball to Volleyball units. After converting, reinstall Hand knobs on Bolts to avoid losing them.

Basketball Assembly

Fill base with water and install plug. Align Bolts on Rim Backboard Assembly with Post Holes (G) and slide through, securing with Hand Knobs (H).

Volleyball Assembly (Fig. 1)

Fill Base with water and install Plug. Insert I-Bolt (I) through upper center post hole on Base Unit (G) and tighten with hand Knob (H). Tilt Base backward and insert Net Hook (J) in slot on bottom front of Base. Lower base unit to secure Net Hook. Repeat on other Base. Tie Net to I-Bolts and Net Hooks.

Tip

When switching from Volleyball to Basketball units, reinstall Hand Knobs on I-bolts to avoid losing them. No need to untie Net from I-bolts or Net hooks.

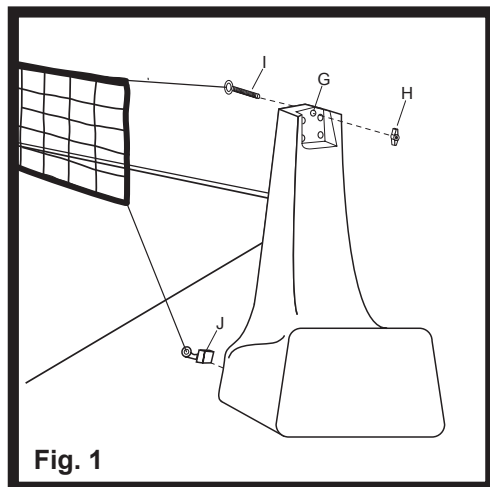


Fig. 1

For assistance call:
1-800-798-9646

