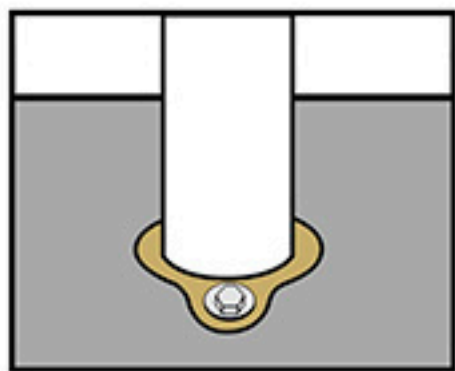


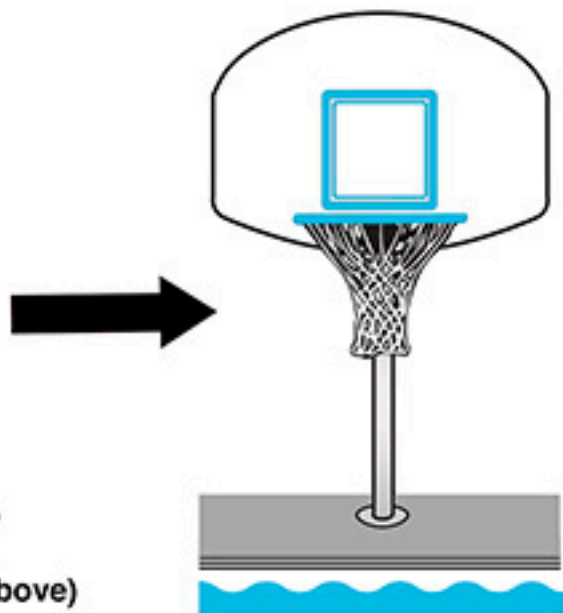
Can I Install the 1.90" Post Clear Hoop Jr?

An anchor is NOT included

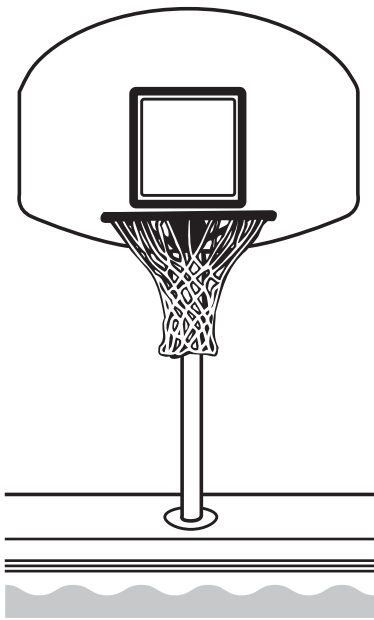
*Must be install in pre-existing 1.90" anchor
(common for ladders, rails, stanchions or other deck equipment)*



Clear Hoop Jr 1.90" post fits into pre-existing 1.90" anchor
(Gray Escutcheon Ring Not Shown Above)



If you do not have an existing 1.90" anchor to use, see our Clear Hoop Jr. 2 & 3/8" post set that includes an anchor installation kit



STEP 1

ASSEMBLE BASKETBALL UNIT

NOTE : To avoid scratching the backboard, it is required to have 2 people assembling the unit on a carpeted or padded floor.

NOTE : Before assembling the unit , place a drop of oil on the threads of the bolts to avoid the nuts from getting stuck

- Attach rim and backboard to post as pictured (C), using four 5/16" x 1 1/4" carriage bolts, four 5/16" washers (C1), and finger tighten using four 5/16" lock nuts on back of post plate (C2).
- Make sure the square shoulder under the bolt head (C) is fully inserted into the square hole in the rim plate.
- Put net on rim.

STEP 2

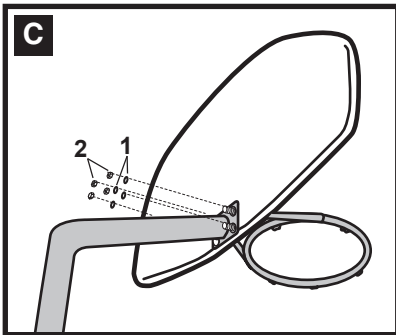
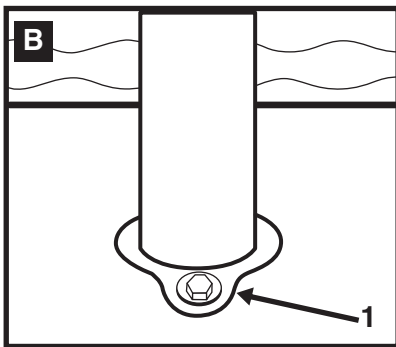
SECURE BASKETBALL UNIT TO ANCHOR

- Adjust anchor bolt so brass wedge in anchor is in its lowest position. Put finishing ring on basketball post and lower post into anchor and adjust so keyed bottom of post drops and interlocks. Tighten anchor bolt (B1) with wrench until tight. Adjust backboard and rim so they are straight and then tighten 4 nuts with wrench (C2).

STEP 3

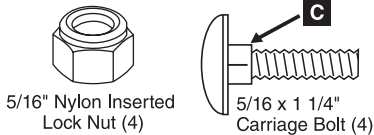
REMOVING BASKETBALL UNIT

- Lift up finishing ring and loosen anchor bolt (B1), tap bolt head with wrench and loosen all the way so brass wedge is in lowest position.
- Remove post from anchor and push anchor cap into anchor. Be careful when storing backboard to avoid scratching the surface.



PARTS LIST

QTY.	Part
1	Anchor with Cap
1	Stainless Post with Finishing Ring
1	Acrylic Backboard
1	Stainless Vinyl Coated Rim with Net
1	Ball with Inflating Needle
4	Washers



WARRANTY

1. Clear Hoop is warranted to the original owner for three year from date of purchase, with proof of purchase. This warranty covers defects in materials and workmanship.
2. Parts returned under this warranty will be inspected. Damage which, in our judgment, occurred because of misuse, negligence or accident is not covered by this warranty. This warranty is void if the product has been altered or tampered with in any way.
3. Owner may send parts presumed defective directly to Dunn-Rite Products, freight prepaid. If Dunn-Rite agrees that the products are defective and covered by this warranty, Dunn-Rite Products will repair or replace at its' option, and return the parts, with no charge for repairs.

In no event shall Dunn-Rite Products be liable for incidental or consequential damages of any nature or kind, or for damages to persons or property.

*If a part is missing or installation help is needed, call our HELP LINE for a quick response.

800-798-9646



2200 South J Street Elwood, IN 46036
Fax 765-552-7773

Ver. 9/20