

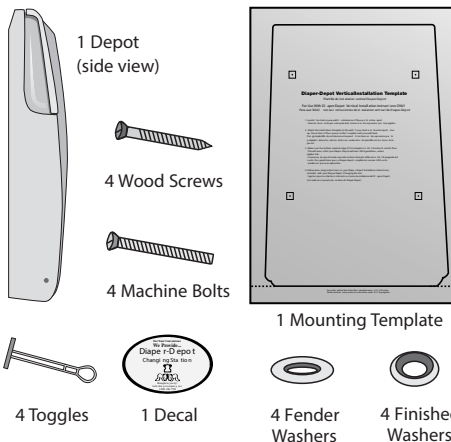
# DIAPER DEPOT® VERTICAL CHANGING STATION

## Installation Instructions

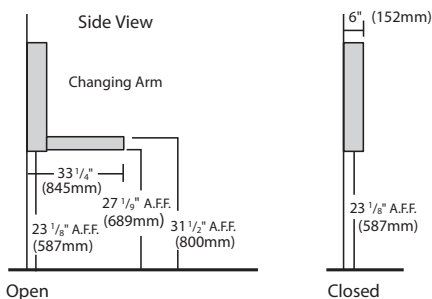
(IMPORTANT: Keep for future reference – Read Carefully)

### What you will need:

- Measuring Tape
- Stud Finder
- Screwdriver
- 7/32" Drill Bit (regular & masonry) (6mm)
- 1/8" Drill Bit (regular & masonry) (3mm)
- 1/2" Drill Bit (regular & masonry) (13mm)
- Drill
- Pencil



Determine which mounting hardware will be used:  
 Set A – Wood Screws for mounting into wood studs  
 Set B – Toggle Bolts for mounting into metal studs or sheetrock/tile wall (a clearance or 3-1/2" is required behind the wall for the toggle to expand).

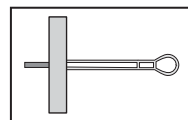
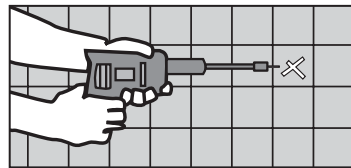


Manufacturer strongly recommends installation as shown. When installed at 23-1/8" A.F.F., as depicted, along an accessible route, the Diaper Depot meets the following requirements of the ADA accessibility guidelines, when applicable:

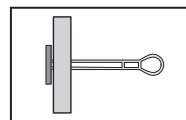
- 4.4.1 Protruding objects (closed unit)
- 4.2.5 Forward reach
- 4.2.6 Side reach
- 4.23.3 and 4.23.7 fixtures
- 4.27.4 Hand operation
- 4.32.3 Knee clearances at counter
- 4.32.4 Height of counters

1. Using the adjacent diagram as a guide, mark the four mounting points on the wall. Using 16" stud walls, mark the top two holes 49-5/8" above the floor and the lower two holes 33-5/8" above the floor. Measure the exact distance between the holes you are using from the back of the depot, and transfer these measurements onto the corresponding wall lines.

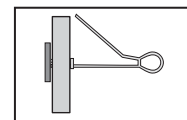
2. A. For Wood Studs Drill through the ceramic tile or surface finish at the marked hole locations with a 7/32" masonry bit until you hit the stud, then change to a 1/8" regular bit to complete the hole through the stud.



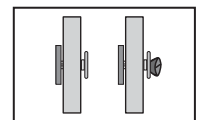
A. Insert toggle in hole drilled



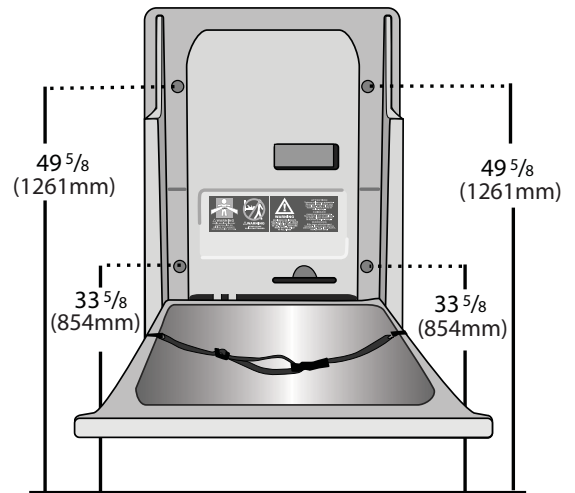
B. Pull ring and push cap lightly against wall



C. Snap off strap



D. Install unit using screws and washer supplied



Floor(not drawn to scale)

B. For Metal Studs Or Underlying Surface of Concrete Block: Drill at the marked hole locations with a 1/2" masonry drill bit. You must allow a minimum 3-1/2" of inside wall space for toggles to turn. Insert and tighten all four toggles.

3. Place a finishing washer first and then a fender washer over each screw.

A. For Wood Studs —Lift the depot in the open position and align the wood screws into the upper pre-drilled holes. Tighten each screw until the unit is held firmly in place. Repeat installation of the lower screws and tighten all screws until the unit is held securely.

B. For Metal Studs Or Underlying Surface Of Concrete Block —Lift the depot in the open position and align mounting holes with pre-drilled holes. Insert machine screws with washers into pre-drilled holes. Tighten each bolt until the unit is held securely in place.



4. Fill liner dispenser with liners. For replacement liners please call +35312311586.

Remove backing from decal and secure it to the outside of the restroom door or other highly visible location.



# WARNING

Never leave child unattended

Designed for infants only. Age up to 3.5 years  
and weighing less than 50 lbs.

Keep one hand on the child at all times

Avoid serious injury from falling or sliding out

Always use restraint system

## Adequate Use of Restraint System

- Lay child on their back in the bed portion of the diaper changer
- Place the restraint belt around the child
- Insert the two ends of the buckle into each other until you hear a click
- Give a slight tug to make sure the buckle is locked
- Use the adjustment glider to tighten the restraint securely around the child

- Please be advised that parcels or accessory items, or both, placed on the unit may cause the unit to become unstable.
- The maximum recommended weight for this unit is 50 pounds. Excessive weight placed on the unit may cause a hazardous unstable condition to exist.
- All assembly parts must be sufficiently tightened at all times. Screws cannot be loose, as the child's body parts or clothing (such as straps, necklaces, ribbons, dolls, etc.) may get pinched. This may cause a suffocation hazard.
- Be aware of the risk of open fire and other strong heat sources, such as electric heaters, gas stoves, etc. in the immediate surroundings of the diaper changing station
- Wipe down regularly with mild cleansers

Meets ASTM F2285.

